



Self Priming Centrifugal Pump

Models 06C1-GA and 06C1-GAR

Size 6" x 4"

PUMP SPECIFICATIONS

Size: 6" (152 mm) Victaulic® Suction.

4" (102 mm) Petroleum Discharge Flange.

Casing: Aluminum Alloy 356-T6.

Maximum Operating Pressure 215 psi (1482 kPa).*

Enclosed Type, Six Vane Impeller: Aluminum Alloy 356-T6.

Handles 11/16" (17 mm) Diameter Spherical Solids.

Impeller/Pinion Shaft: Alloy Steel 8620.

Two Replaceable Wear Rings: Gray Iron 30.

Suction Head: Aluminum Alloy 356-T6.

Gearbox Housing: Gray Iron 30.

Gearbox Lubrication: SAE 90 Gear Oil.

Gears: Alloy Steel 8620.

Gear Ratio: 2.18:1 Increaser.

Bearings: Open Single Row Ball.

Gaskets: Vegetable Fiber and Cork.

Hardware: Standard Plated Steel.

Optional Equipment: (06C1-GA Only) Copper Alloy C83600

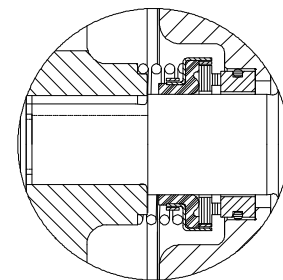
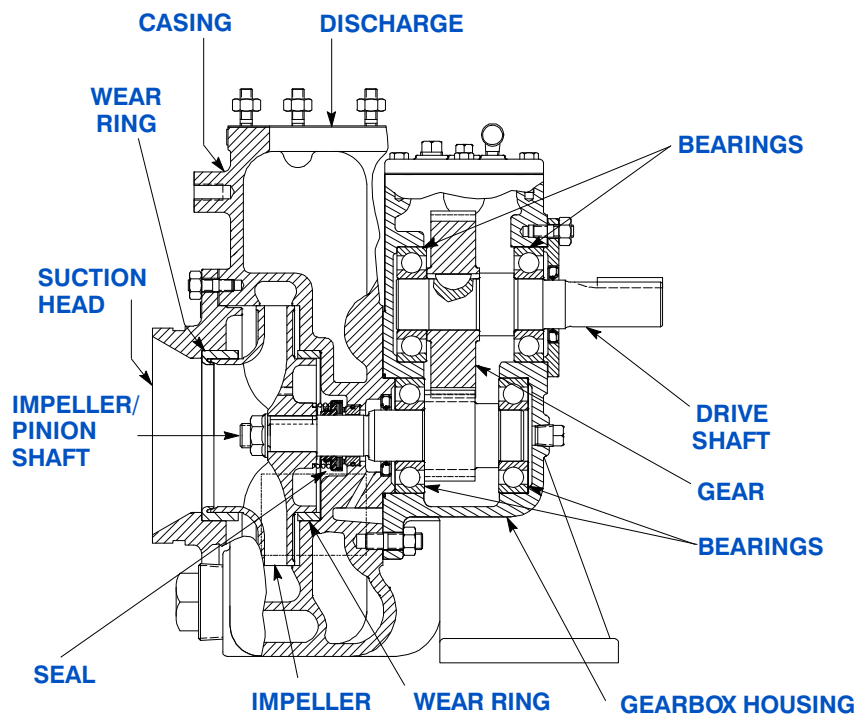
Wear Rings and Impeller.

Victaulic is a Registered Trademark of Victaulic Company of America.

**Consult Factory for Applications Exceeding Maximum Pressure and/or Temperature Indicated.*



MODEL 06C1-GA SHOWN



SEAL DETAIL

Type 2, Mechanical, Self-Lubricated. Carbon Rotating Face. Ni-Resist Stationary Face. Fluorocarbon Elastomers (DuPont Viton® or Equivalent). Stainless Steel 18-8 Cage and Spring. Maximum Temperature of Liquid Pumped, 160°F (71°C).*



GORMAN-RUPP PUMPS

www.grpumps.com

Specifications Subject to Change Without Notice

Printed in U.S.A.

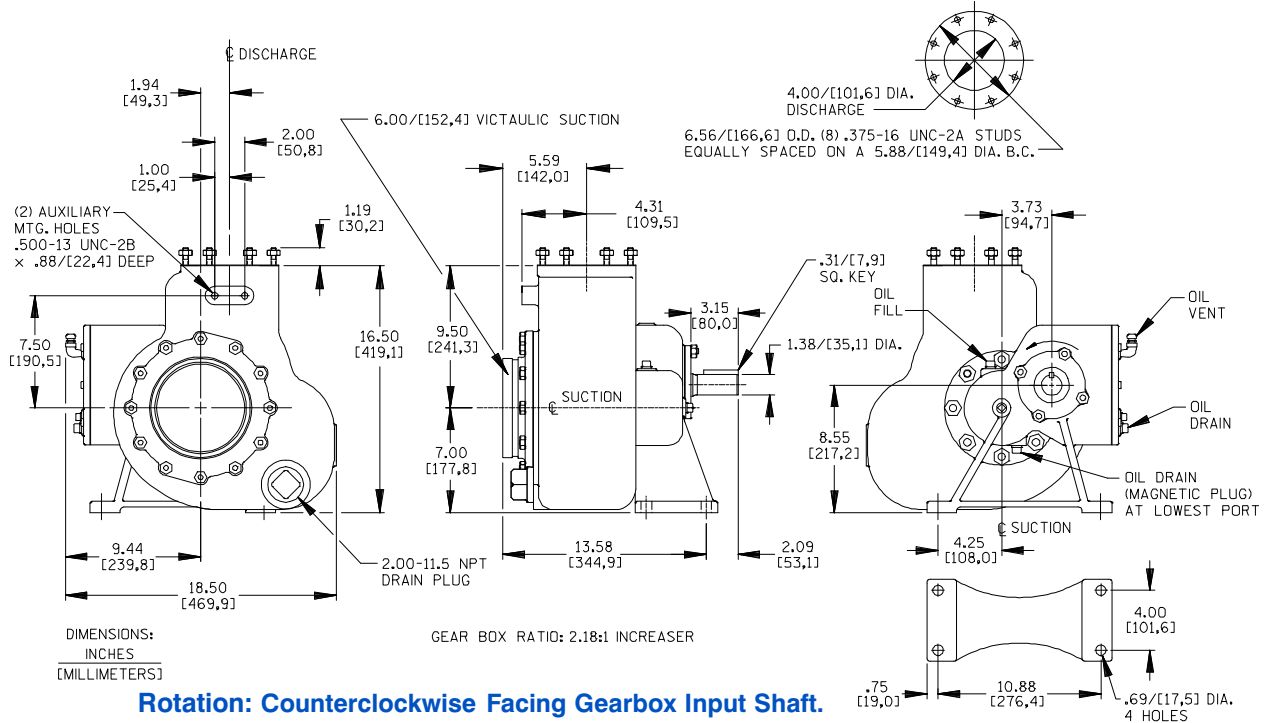
Specification Data

SECTION 110, PAGE 652

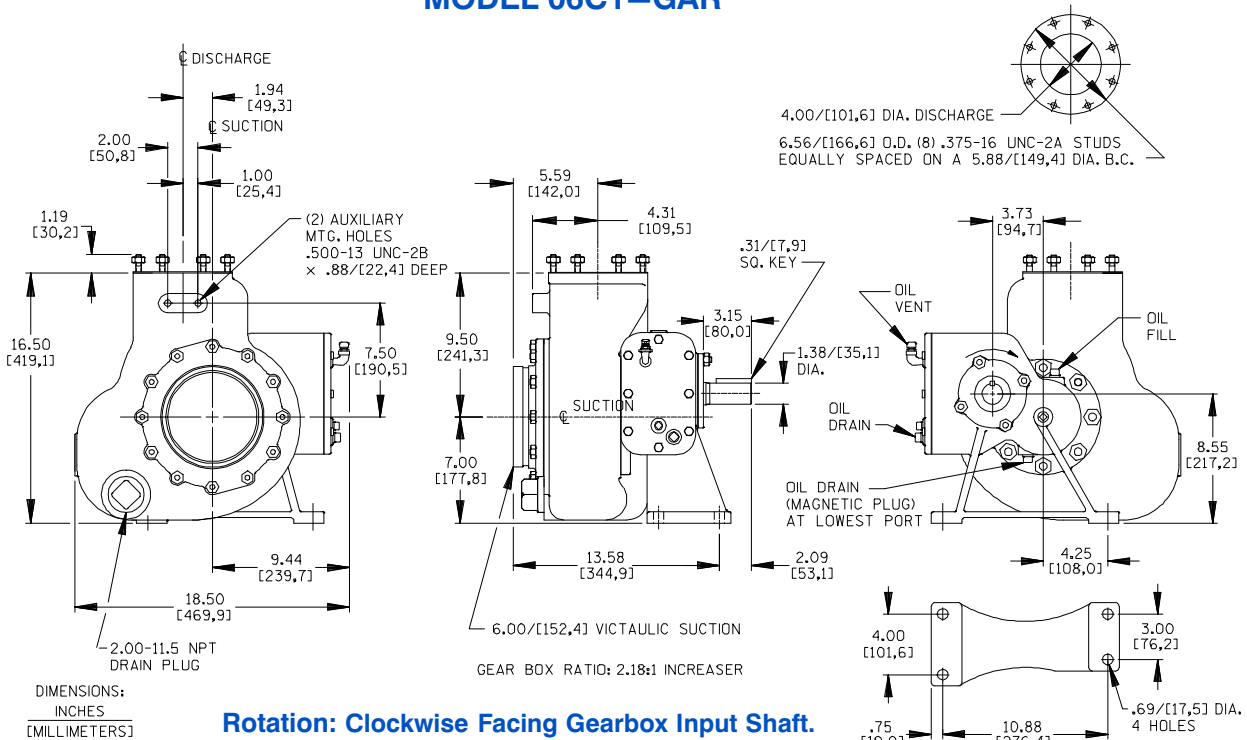
OVERALL DIMENSIONS
and
APPROXIMATE WEIGHTS

NET WEIGHT: 119 LBS. (54 KG.)
SHIPPING WEIGHT: 130 LBS. (59 KG.)
EXPORT CRATE: 4.9 CU. FT. (0,14 CU. M)

MODEL 06C1-GA



MODEL 06C1-GAR



Victaulic is a Registered Trademark of Victaulic Company of America.



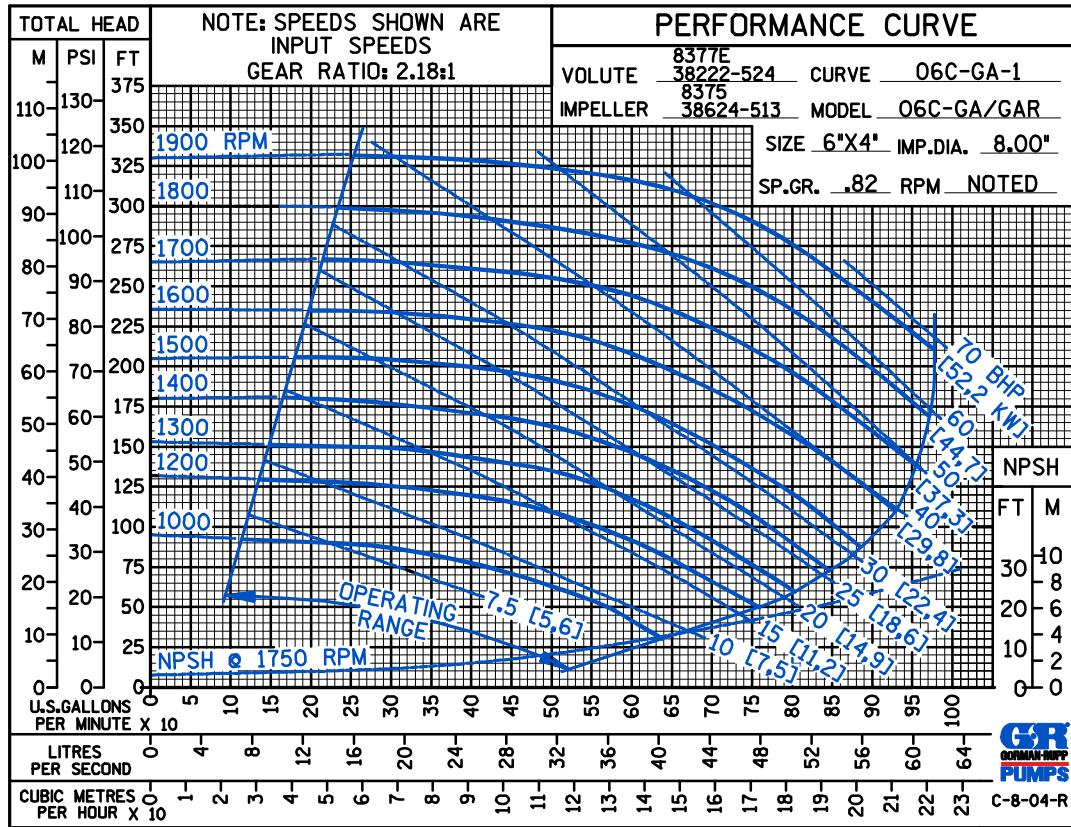
GORMAN-RUPP PUMPS

www.grpumps.com

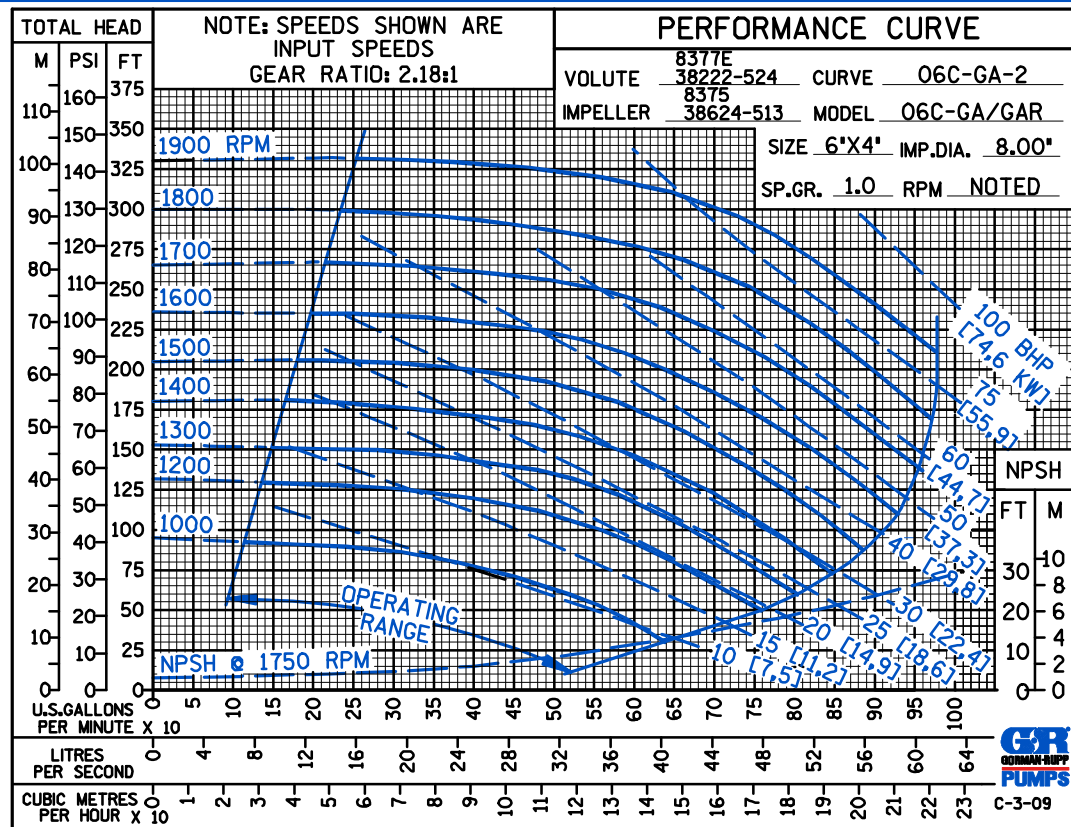
Specifications Subject to Change Without Notice

Printed in U.S.A.

PERFORMANCE
BASED ON
PETROLEUM



PERFORMANCE
BASED ON
WATER



GORMAN-RUPP PUMPS

www.grpumps.com

Specifications Subject to Change Without Notice

Printed in U.S.A.