

Stainless Steel, Basic Pedestal



Self Priming Centrifugal Pump

Models 12B9-B and 12B22-B

Size 2" x 2"

PUMP SPECIFICATIONS

Size: 2" x 2" (51 mm x 51 mm) NPT - Female.**Casing:** Stainless Steel 316.

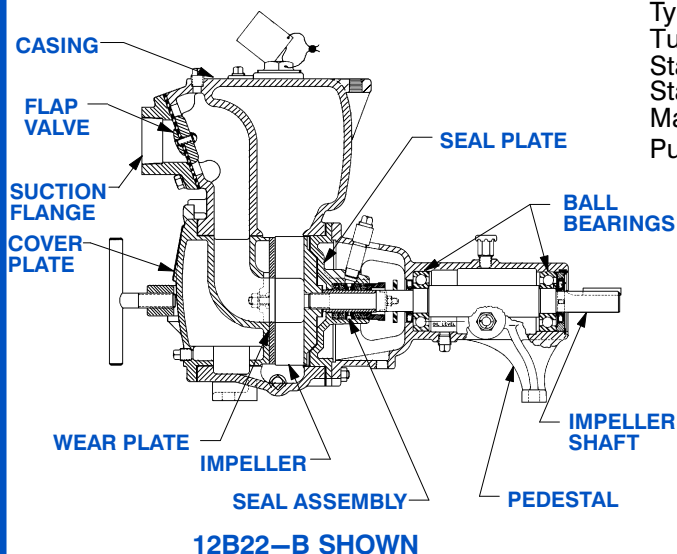
Maximum Operating Pressure 59 psi (407 kPa).*

Semi-Open Type, Two Vane Impeller: Stainless Steel 316.

Handles 1 1/4" (32 mm) Diameter Spherical Solids.

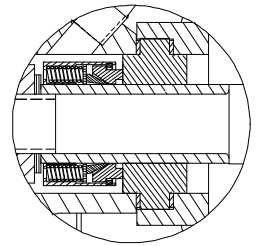
Impeller Shaft: Stainless Steel 17-4 PH.**Replaceable Wear Plate:** Stainless Steel 316.**Removable Cover Plate:** Stainless Steel 316; 14 lbs. (6 kg).**Pedestal:** Gray Iron 30.**Seal Plate:** Stainless Steel 316.**Flap Valve:** Fluorocarbon (DuPont Viton® or Equivalent);
Stainless Steel Alloy 20; Stainless Steel 316.**Shaft Sleeve:** Stainless Steel 316.**Radial and Thrust Bearings:** Open Single Row Ball.**Bearing Lubrication:** SAE 30 Non-Detergent Oil.**Flange:** Stainless Steel 316.**Gaskets:** Fluorocarbon (DuPont Viton® or Equivalent) and
Compressed Synthetic Fibers.**Hardware:** Stainless Steel 316.**Optional Equipment:** 120/240 Volt Casing Heater.

High Temp Shut Down Kit.

**Consult Factory for Applications Exceeding Maximum
Pressure and/or Temperature Indicated.*

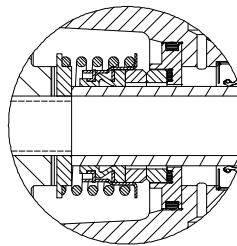
12B9-B SEAL DETAIL

Type 9, Mechanical, Self-Lubricating. Tungsten Carbide Rotating and Stationary Faces. PTFE Elastomers. Stainless Steel 316 Cage and Spring. Maximum Temperature of Liquid Pumped, 160°F (71°C).*



12B22-B SEAL DETAIL

Type 2, Mechanical, Oil-Lubricated, Double Floating, Self-Aligning. Tungsten Titanium Carbide Rotating and Stationary Faces. Stainless Steel 316 Stationary Seat. Fluorocarbon Elastomers (DuPont Viton® or Equivalent). Stainless Steel 303/304 Cage and Spring. Maximum Temperature of Liquid Pumped, 160°F (71°C).*



GORMAN-RUPP PUMPS

www.grpumps.com

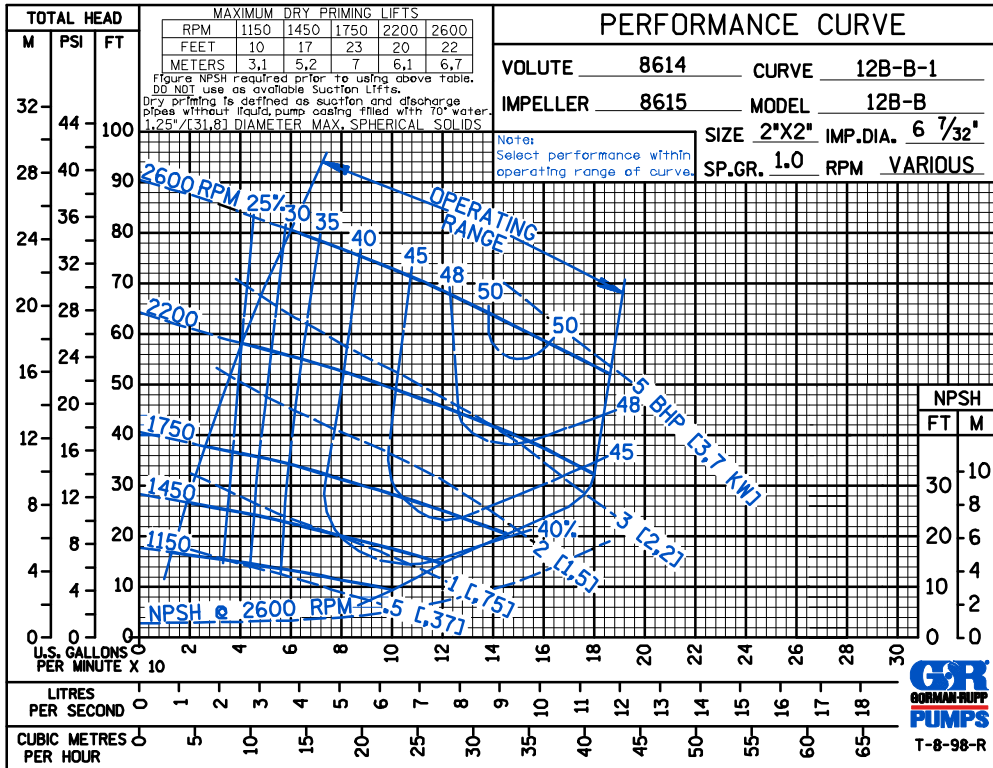
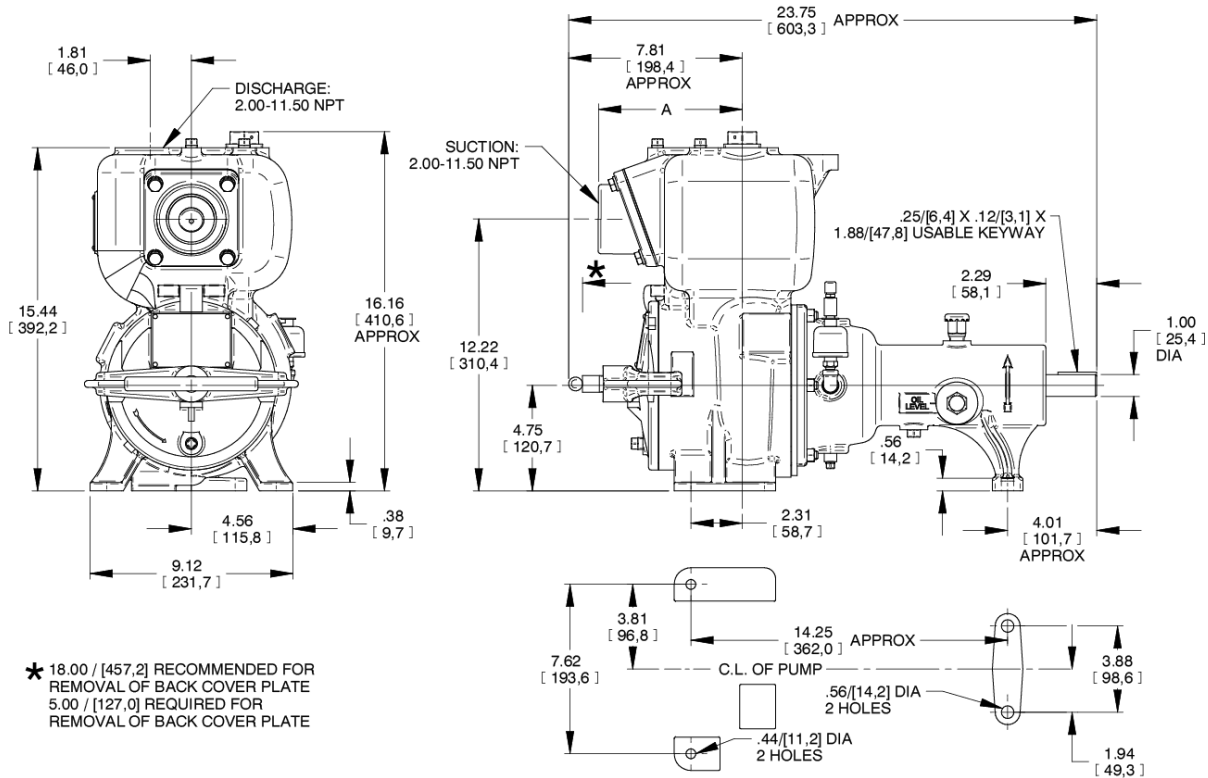
Specifications Subject to Change Without Notice

Specification Data

SECTION 55, PAGE 204

APPROXIMATE
DIMENSIONS and WEIGHTS

NET WEIGHT: 122 LBS. (55 KG.)
SHIPPING WEIGHT: 132 LBS. (60 KG.)
EXPORT CRATE SIZE: 6.2 CU. FT. (0,07 CU. M.)



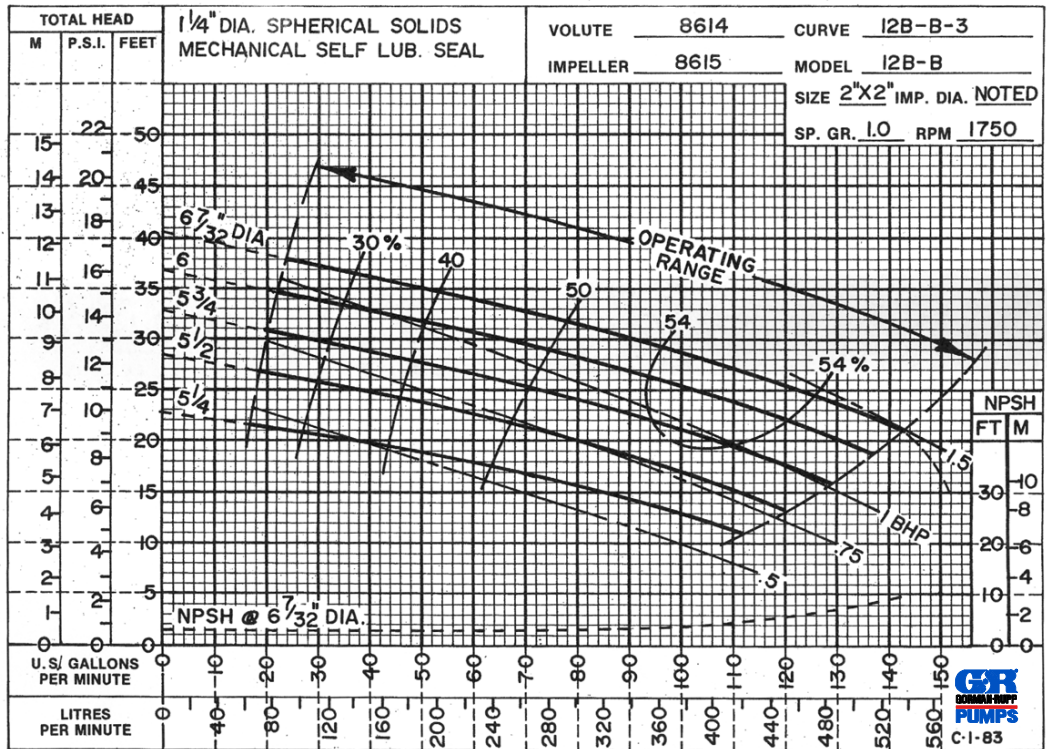
GORMAN-RUPP PUMPS

www.grpumps.com

Specifications Subject to Change Without Notice

60 HERTZ
PERFORMANCE
BASED ON
WATER

TRIMMED
IMPELLER



GORMAN-RUPP PUMPS

www.grpumps.com

Specifications Subject to Change Without Notice