

# Self Priming Centrifugal Pump



## Models 83A3-B and 83A52-B

### Size 3" x 3"

#### PUMP SPECIFICATIONS

**Size:** 3" x 3" (76 mm x 76 mm) NPT - Female.

**Casing:** Gray Iron 30.

Maximum Operating Pressure 87 psi (600 kPa)\*.

**Semi-Open Type, Four Vane Impeller:** Gray Iron 30.

Handles 3/4" (19,1 mm) Diameter Spherical Solids

**Impeller Shaft:** Carbon Steel 1045.

**Replaceable Wear Plate:** Carbon Steel 1026.

**Pedestal:** Gray Iron 30.

**Shaft Sleeve:** Stainless Steel 304.

**Seal Plate:** Gray Iron 30.

**Flap Valve:** Buna-N <sup>w/</sup>Nylon Reinforcement and Gray Iron 30.

**Radial and Thrust Bearings:** Open Single Row Ball.

**Bearing Lubrication:** SAE 30 Non-Detergent Oil.

**Suction Flange:** Gray Iron 25.

**Gaskets:** Cork.

**Hardware:** Standard Plated Steel.

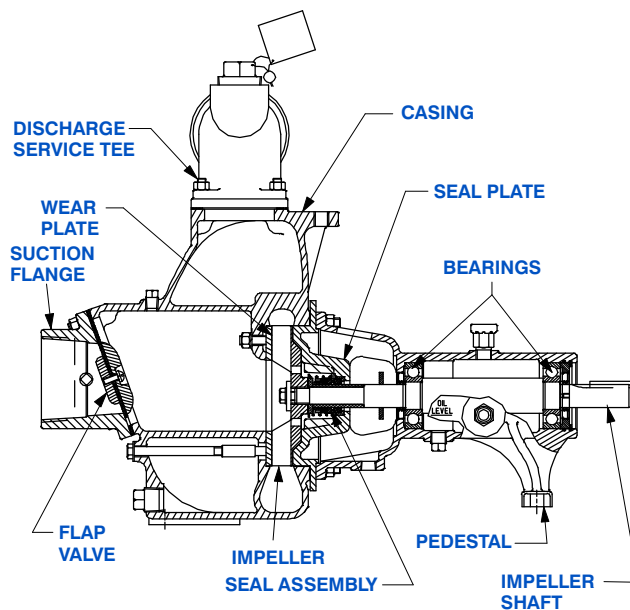
**Discharge Service Tee:** Gray Iron 30.

**Oil Level Sight Gauge.**

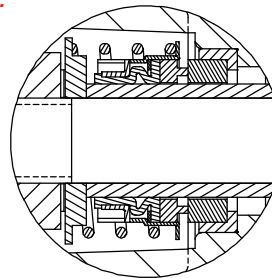
**Optional Equipment:** Strainer.

Consult Factory for Additional Options.

*\*Consult Factory for Applications Exceeding  
Maximum Pressure and/or Temperature Indicated.*

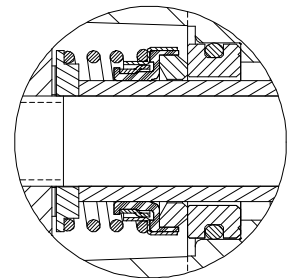


83A3-B SHOWN



**83A3-B SEAL DETAIL** Type 2, Mechanical, Self-Lubricated. Carbon Rotating Face. Ceramic Stationary Face. Buna-N Elastomers. Stainless Steel 18-8 Cage and Spring. Maximum Temperature of Liquid Pumped, 160°F (71°C).\*

**83A52-B SEAL DETAIL** Type 31, Mechanical, Self-Lubricated. Silicon Carbide Rotating and Stationary Faces. Fluorocarbon Elastomers (DuPont Viton® or Equivalent). Stainless Steel 18-8 Cage and Spring. Maximum Temperature of Liquid Pumped 160°F (71°C).\*



GORMAN-RUPP PUMPS

www.grpumps.com

Specifications Subject to Change Without Notice

**Specification Data**

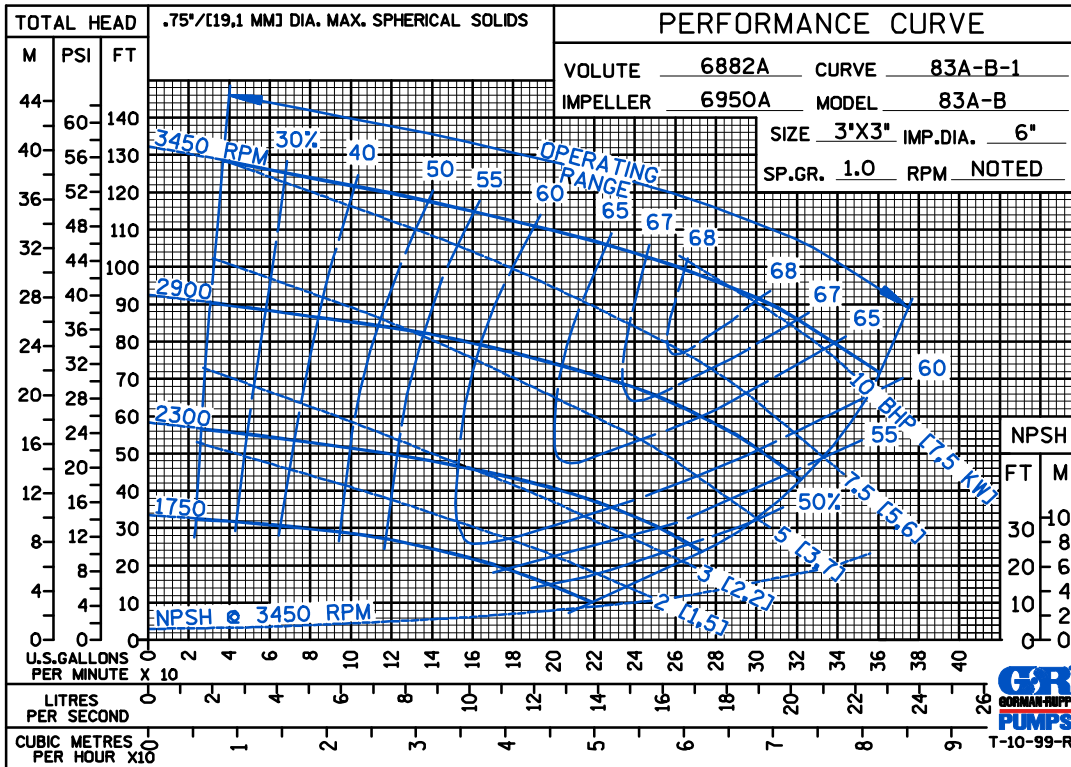
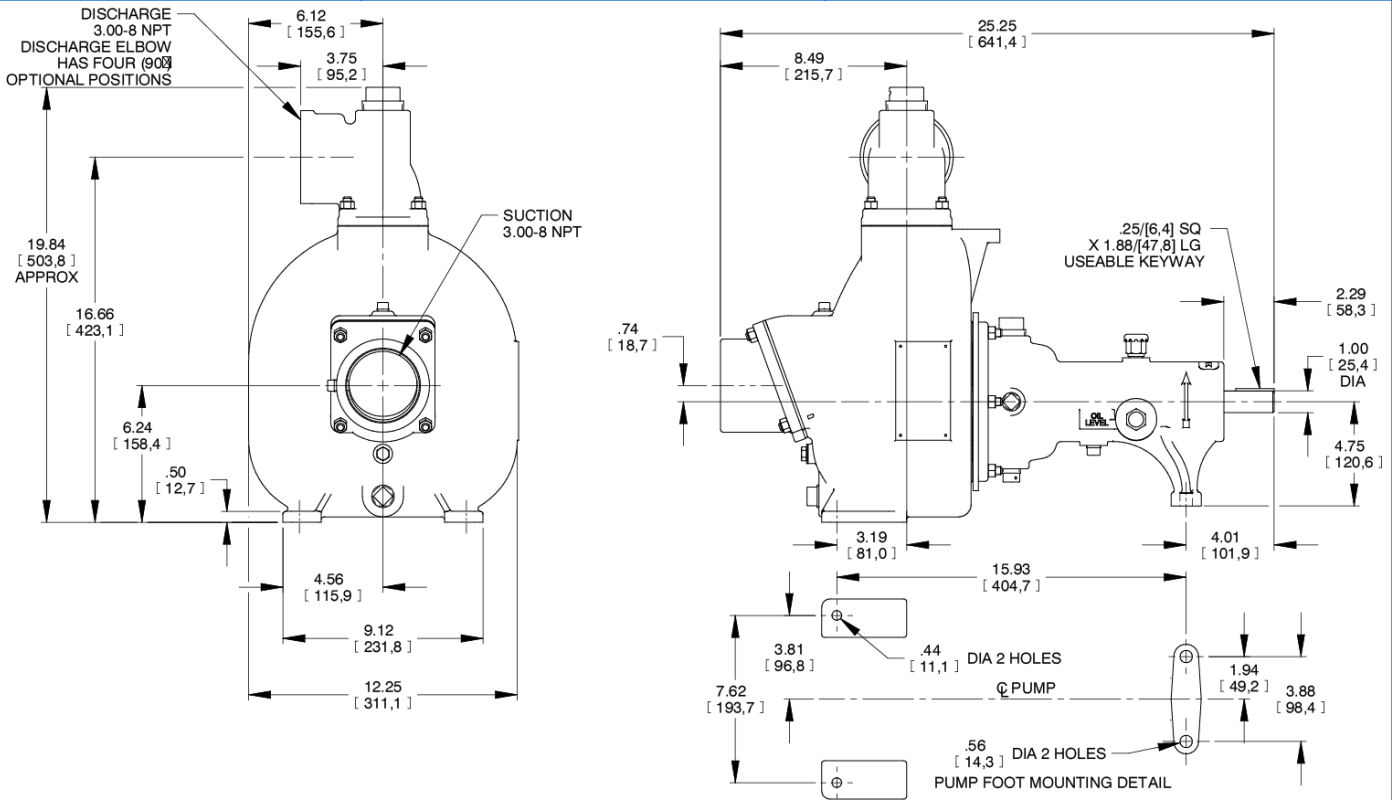
SECTION 50, PAGE 1451

APPROXIMATE DIMENSIONS and WEIGHTS

NET WEIGHT: 115 LBS. (52,2 KG.)

SHIPPING WEIGHT: 125 LBS. (56,7 KG.)

EXPORT CRATE: 8.5 CU. FT. (0,24 CU. M.)



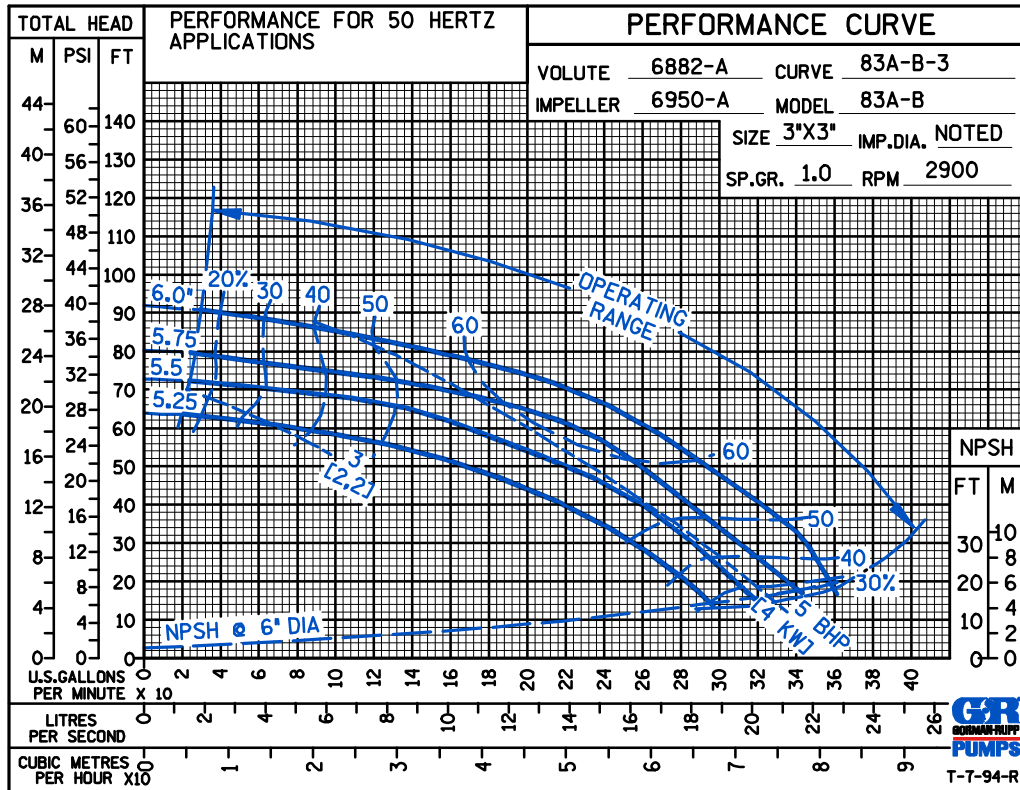
GORMAN-RUPP PUMPS

www.grpumps.com

Specifications Subject to Change Without Notice



50 HERTZ  
PERFORMANCE  
BASED ON  
WATER



GORMAN-RUPP PUMPS

www.grpumps.com

Specifications Subject to Change Without Notice