

Basic Pedestal

Self Priming Centrifugal Pump

Model 83D20-B

Size 3" x 3"



PUMP SPECIFICATIONS

Size: 3" x 3" (76 mm x 76 mm) NPT - Female.

Casing: Gray Iron 30.

Maximum Operating Pressure 87 psi (600 kPa).*

Semi-Open Type, Four Vane Impeller: Gray Iron 30.

Handles 3/4" (19,1 mm) Diameter Spherical Solids.

Impeller Shaft: Stainless Steel 316.

Replaceable Wear Plate: Carbon Steel 1026.

Pedestal: Gray Iron 30.

Seal Plate: Gray Iron 30.

Seal Sleeve: Stainless Steel 304.

Flap Valve: Gray Iron 30 and Buna-N ^w/Nylon Reinforcement.

Radial and Thrust Bearings: Open Single Row Ball.

Bearing Lubrication: SAE 30 Non-Detergent Oil.

Suction Flange: Gray Iron 25.

Gaskets: Vegetable Fiber.

Hardware: Standard Plated Steel.

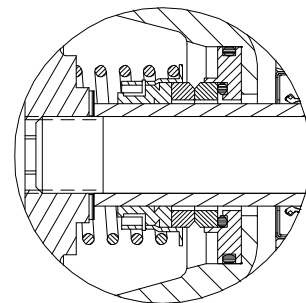
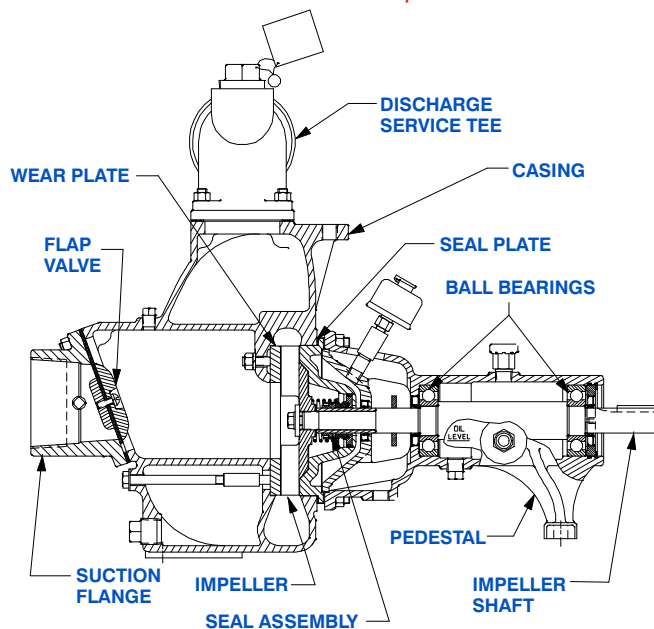
Discharge Service Tee: Gray Iron 30.

Oil Level Sight Gage.

Optional Equipment: Strainer.

Consult Factory for Additional Options.

**Consult Factory for Applications Exceeding
Maximum Pressure and/or Temperature Indicated.*



SEAL DETAIL Mechanical, Oil Lubricated, Double Floating, Self-Aligning. Tungsten Titanium Carbide Rotating and Stationary Faces and Stainless Steel 316 Stationary Seat. Fluorocarbon Elastomers (DuPont Viton[®] or Equivalent). Stainless Steel 303/304 Cage and Spring. Maximum Temperature of Liquid Pumped, 160°F (71°C).*



GORMAN-RUPP PUMPS

www.grpumps.com

Specifications Subject to Change Without Notice

Specification Data

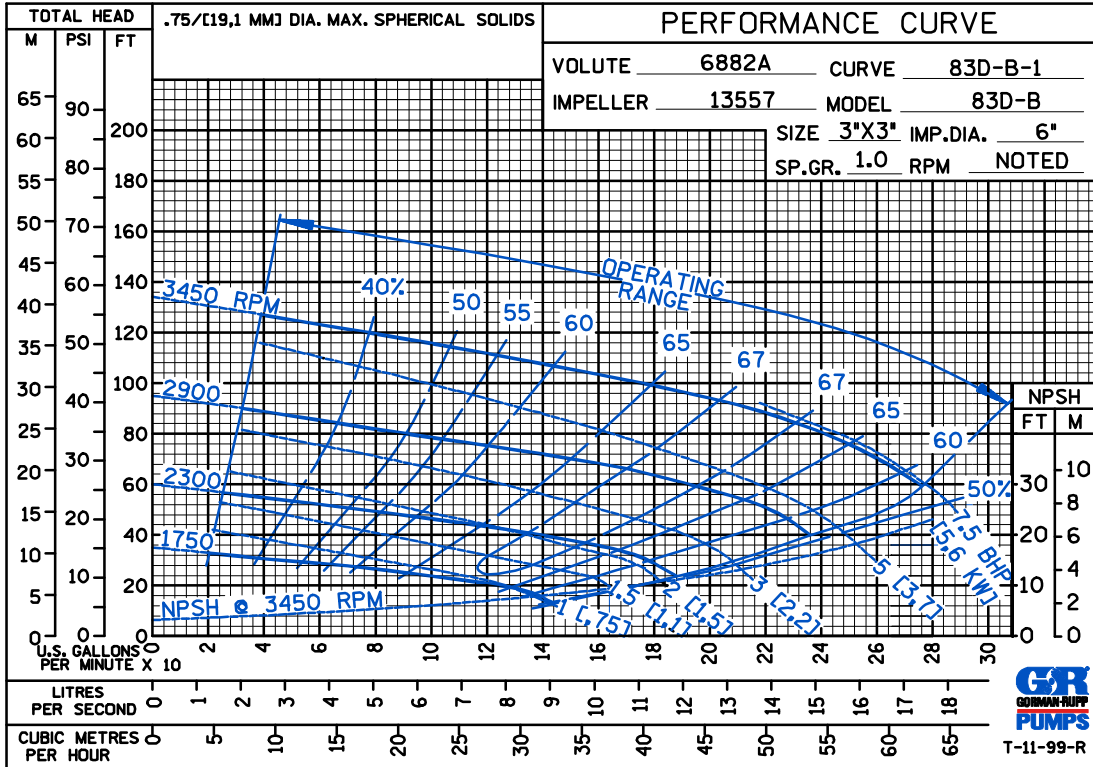
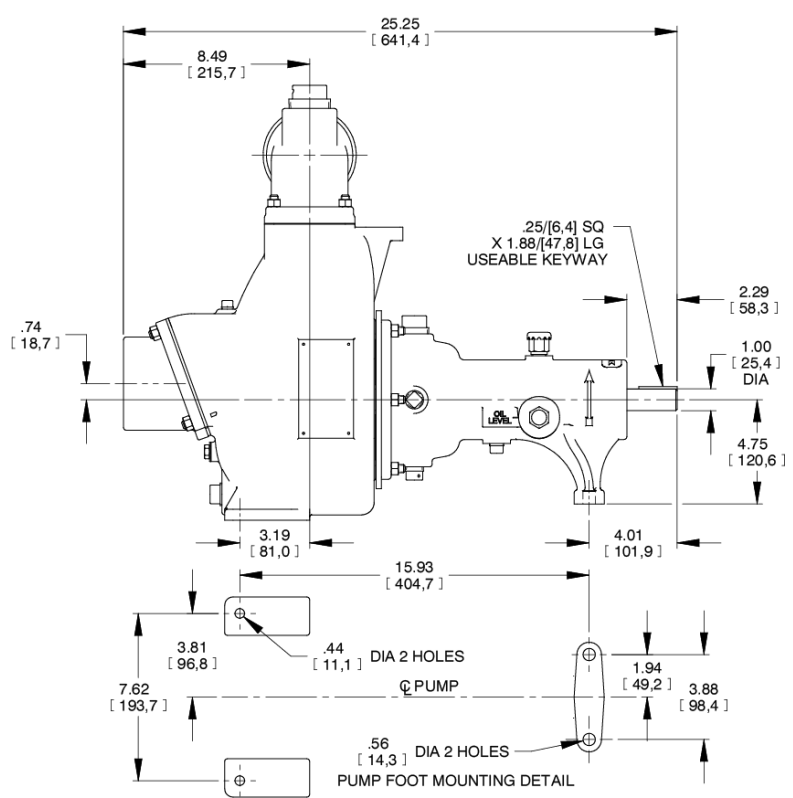
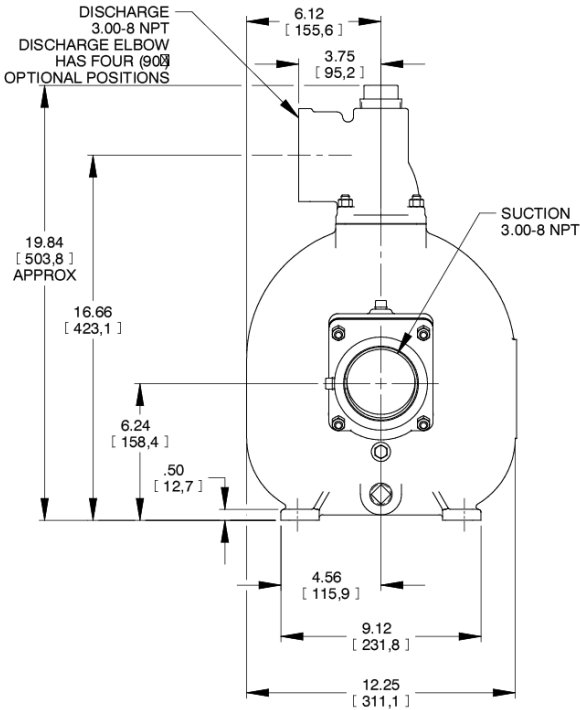
SECTION 50, PAGE 1440

APPROXIMATE DIMENSIONS and WEIGHTS

NET WEIGHT: 120 LBS. (54,4 KG.)

SHIPPING WEIGHT: 130 LBS.(58,9 KG.)

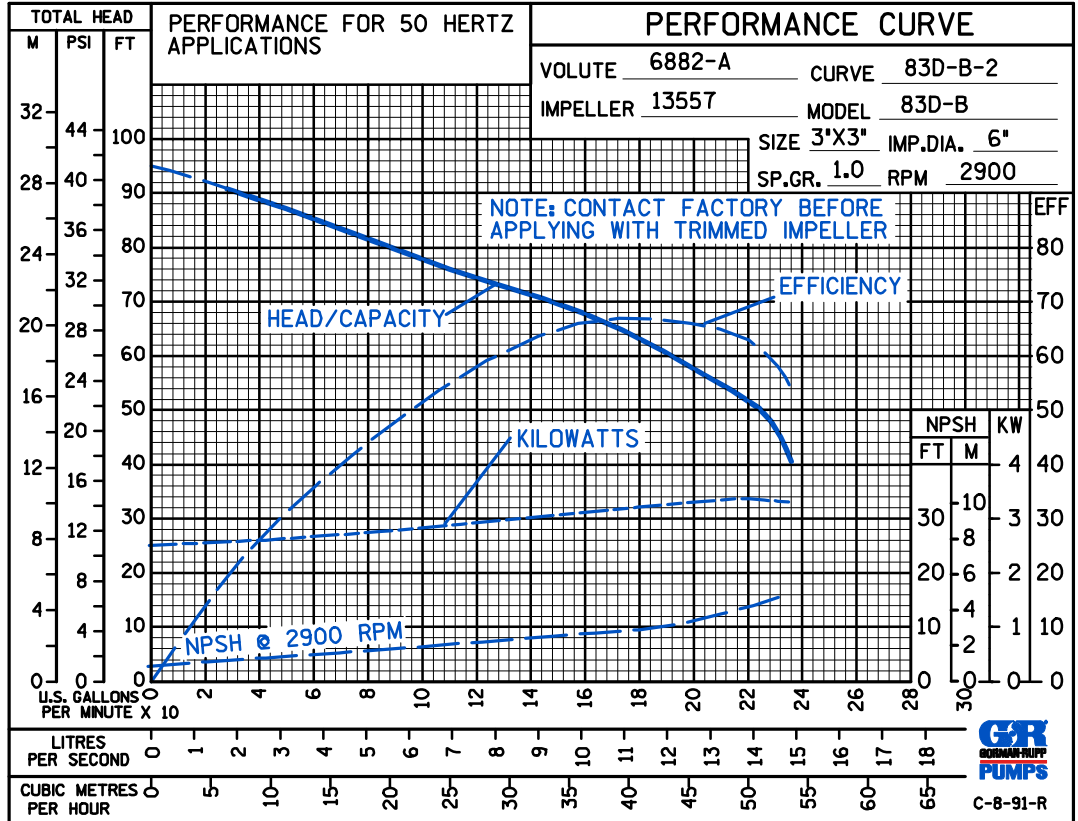
EXPORT CRATE: 7.9 CU. FT. (0,22 CU. M.)



GORMAN-RUPP PUMPS

www.grpumps.com

Specifications Subject to Change Without Notice



GORMAN-RUPP PUMPS

www.grpumps.com

Specifications Subject to Change Without Notice