

A B C D E

# Self Priming Centrifugal Pump

**Models 81 1/4A3-B and 81 1/4A52-B****Size 1 1/4" x 1 1/4"****PUMP SPECIFICATIONS****Size:** 1 1/4" x 1 1/4" (32 mm x 32 mm) NPT - Female.**Casing:** Gray Iron 30.

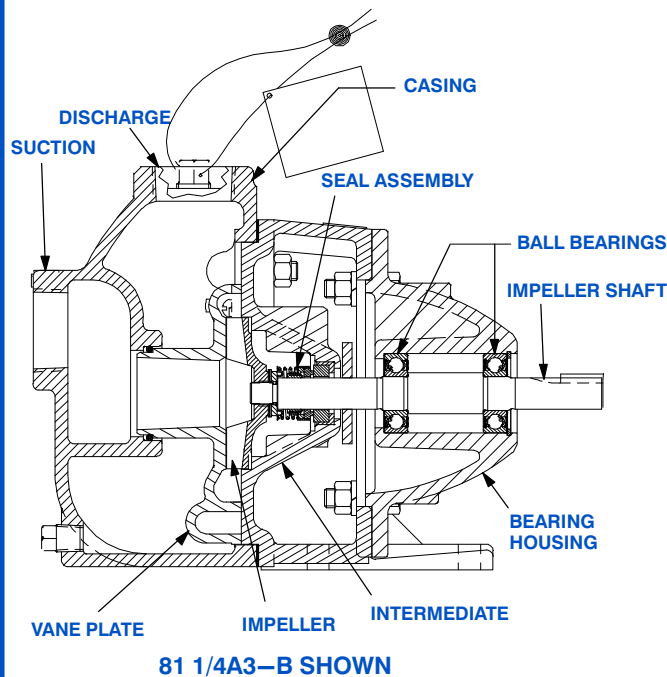
Maximum Operating Pressure 27 psi (186 kPa).\*

**Semi-Open Type, Five Vane Impeller:****(81 1/4A3-B)** Copper Alloy C93700.**(81 1/4A52-B)** Gray Iron 30.

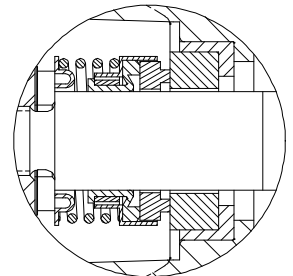
Handles 1/4" (6,4 mm) Diameter Spherical Solids.

**Impeller Shaft:** Carbon Steel 1215.**Replaceable Vane Plate:** Gray Iron 30.**Bearing Housing:** Gray Iron 30.**Intermediate:** Gray Iron 30.**Radial and Thrust Bearings:** Sealed Single Row Ball Type.**Bearing Lubrication:** Self-Lubricated.**Gaskets:** Vegetable Fiber.**Hardware:** Standard Plated Steel.**Optional Equipment:** Strainer.

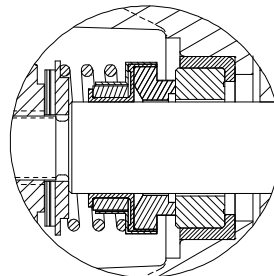
Consult Factory for Additional Options.

*\*Consult Factory for Applications Exceeding Maximum Pressure and/or Temperature Indicated.***81 1/4A3-B SEAL DETAIL**

Type 21, Mechanical, Self-Lubricated. Carbon Rotating Face and Ni-Resist Stationary Face. Stainless Steel 18-8 Cage and Spring. Fluorocarbon Elastomers (DuPont Viton® or Equivalent). Maximum Temperature of Liquid Pumped, 160°F (71°C).\*

**81 1/4A52-B SEAL DETAIL**

Type 31, Mechanical, Self-Lubricated. Silicon Carbide Rotating and Stationary Faces. Fluorocarbon Elastomers (DuPont Viton® or Equivalent). Stainless Steel 304 Cage and Spring. Maximum Temperature of Liquid Pumped 160°F (71°C).\*

**THE GORMAN-RUPP COMPANY • MANSFIELD, OHIO**

GORMAN-RUPP OF CANADA LIMITED • ST. THOMAS, ONTARIO, CANADA

www.grpumps.com

Specifications Subject to Change Without Notice

Printed in U.S.A.

**Specification Data**

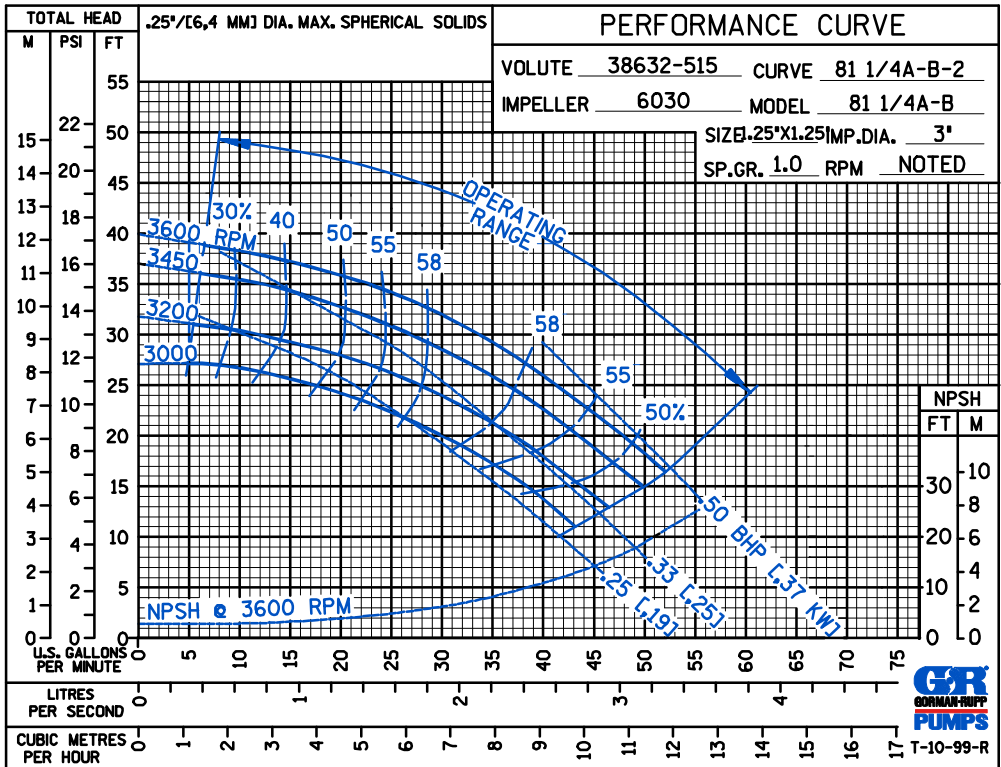
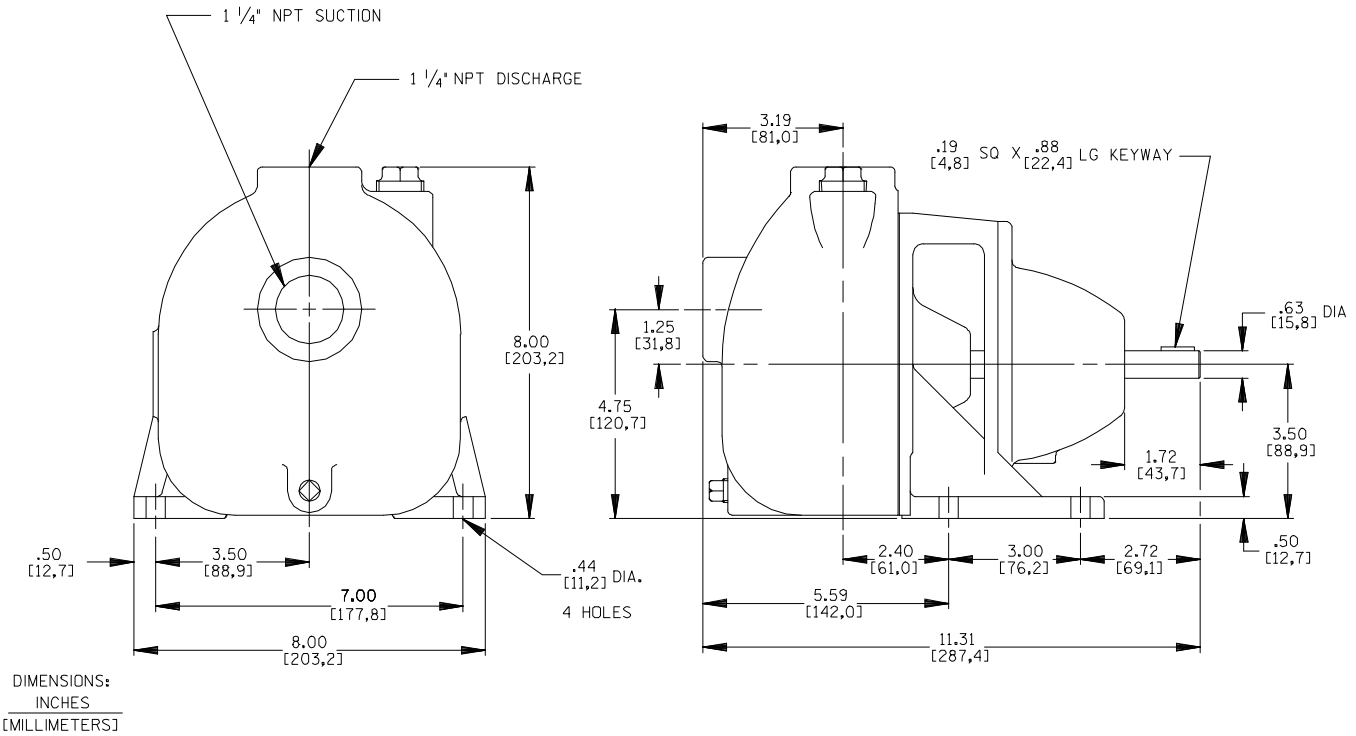
**SECTION 50, PAGE 400**

APPROXIMATE  
DIMENSIONS and WEIGHTS

**NET WEIGHT: 26 LBS. (11,8 KG.)**

**SHIPPING WEIGHT: 36 LBS.(16,3 KG.)**

**EXPORT CRATE: 2.2 CU. FT. (0,06 CU. M.)**



**THE GORMAN-RUPP COMPANY • MANSFIELD, OHIO**

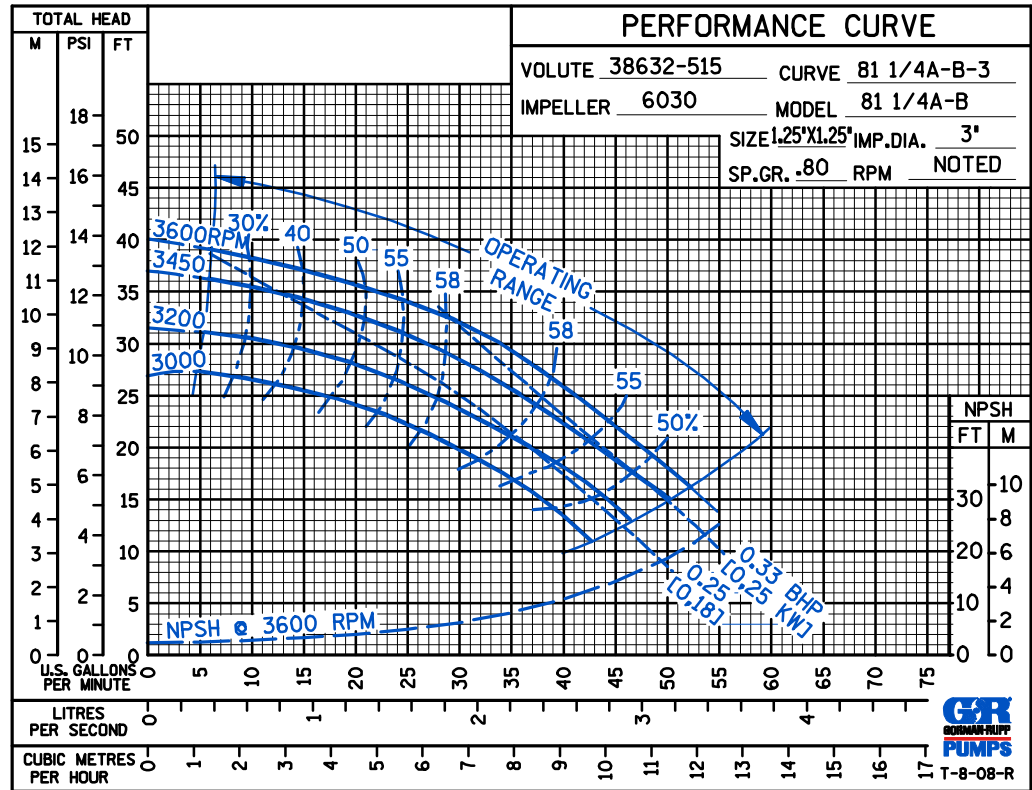
GORMAN-RUPP OF CANADA LIMITED • ST. THOMAS, ONTARIO, CANADA

Specifications Subject to Change Without Notice

Printed in U.S.A.

A B C D E

PERFORMANCE  
BASED ON  
PETROLEUM



THE GORMAN-RUPP COMPANY • MANSFIELD, OHIO

GORMAN-RUPP OF CANADA LIMITED • ST. THOMAS, ONTARIO, CANADA

Specifications Subject to Change Without Notice

Printed in U.S.A.