



# Self Priming Centrifugal Pump

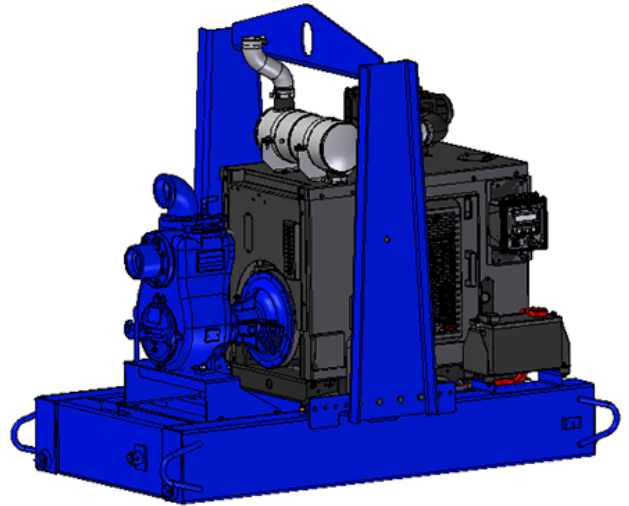
Models 14C2-QSF2.8P FT4 and  
14C20-QSF2.8P FT4

Size 4" x 4"



35 MT

Total Head		Capacity Of Pump In U.S. Gallons Per Minute (GPM) At Continuous Performance				
P.S.I.	Feet					
48.6	112	110	110	110	110	110
43.4	100	280	350	350	350	350
34.7	80	320	440	532	605	654
26.0	60	325	450	542	625	691
17.3	40	329	455	550	630	700
8.7	20	332	458	551	631	710
<b>Suction Lift</b>		<b>25'</b>	<b>20'</b>	<b>15'</b>	<b>10'</b>	<b>5'</b>



**PUMP SPECIFICATIONS**

**Size:** 4" x 4" (102 mm x 102 mm) NPT Female.  
**Casing:** Gray Iron 30.  
 Maximum Operating Pressure 81 psi (558 kPa).  
**Semi-Open Type, Two Vane Impeller:** Ductile Iron 65-45-12.  
 Handles 3" (76,2 mm) Diameter Spherical Solids.  
**Impeller Shaft:** Alloy Steel 4150.  
**Replaceable Wear Plate:** Carbon Steel ASTM A36.  
**Removable Cover Plate:** Gray Iron 30. 22 lbs. (10.0 kg.).  
**Intermediate Bracket:** Gray Iron 30.  
**Seal Plate:** Gray Iron 30.  
**Seal: (14C2)** Double, Grease-Lubricated w/Spring-Loaded Grease Cup. Sintered Bronze Stationary Seal Seats. Steel Rotating Faces. Neoprene Packing Rings. Maximum Temperature of Liquid Pumped, 110°F (43°C). Maximum Suction Pressure 10 psi (69 kPa).  
**(14C20)** Mechanical, Oil-Lubricated, Double Floating Self-Aligning. Tungsten Titanium Carbide Rotating And Stationary Faces. Stainless Steel 316 Stationary Seat. Fluorocarbon Elastomers (DuPont Viton® or Equivalent). Stainless Steel 18-8 Cage and Spring. Maximum Temperature of Liquid Pumped is 160°F (71°C).  
**Seal Liner: (14C2)** Copper Alloy C26000.  
**Shaft Sleeve: (14C20)** Alloy Steel 4130.  
**Flap Valve:** Neoprene w/Steel Reinforcement.  
**Radial/Thrust Bearings:** Open Single Row Ball.  
**Bearing Lubrication:** SAE 30 Non-Detergent Oil.  
**Flanges:** Gray Iron 30.  
**Gaskets:** Buna-N, Compressed Synthetic Fiber, Rubber, PTFE and Vegetable Fiber.  
**Hardware:** Standard Plated Steel.  
**Oil Level Sight Gauge.**  
**Standard Equipment:** Hoisting Bail. Strainer. 90° Discharge Elbow. Combination Skid Base w/Fuel Tank.  
**Optional Equipment:** Battery. High Speed (55 MPH/89 KM/H) Single Axle Pneumatic-Tired Wheel Kit w/wo DOT-Approved Lights and Electric Brakes. Tandem Axle Over-the-Road Trailer.

\*Consult Factory for Applications Exceeding Maximum Pressure and/or Temperature Indicated.



**ENGINE SPECIFICATIONS**

**Model:** Cummins QSF2.8.  
**EPA Tier:** Final Tier 4.  
**Type:** Four Cylinder, Four Cycle, Turbocharged, Charge Air Cooled, Liquid Cooled Diesel Engine.  
**Displacement:** 173 Cu. In. (2,8 Liters).  
**Lubrication:** Forced Circulation.  
**Air Cleaner:** Dry Type.  
**Fuel Tank:** 61 U.S. Gals. (231 Liters).  
**Full Load Operating Time:** 40.5 Hrs.  
**Starter:** 12V Electric.  
**Standard Features:** Muffler w/Weather Cap.  
**Optional:** Electronic Fuel Level Sensor.  
**Engine Control Features:** Padlockable Box with Throttle Control, Tachometer, Coolant Temperature, Oil Pressure, Voltage and Overstart Indicators/Shutdowns. Manual/Stop Keyswitch. Fuel Level Display/Alarm/Shutdown (For Use With Optional Fuel Level Sensor).

**CUMMINS PUBLISHED PERFORMANCE:**

Maximum Gross Continuous BHP  
74 (55 kW) @ 2500 RPM



GORMAN-RUPP PUMPS

www.grpumps.com

Specifications Subject to Change Without Notice

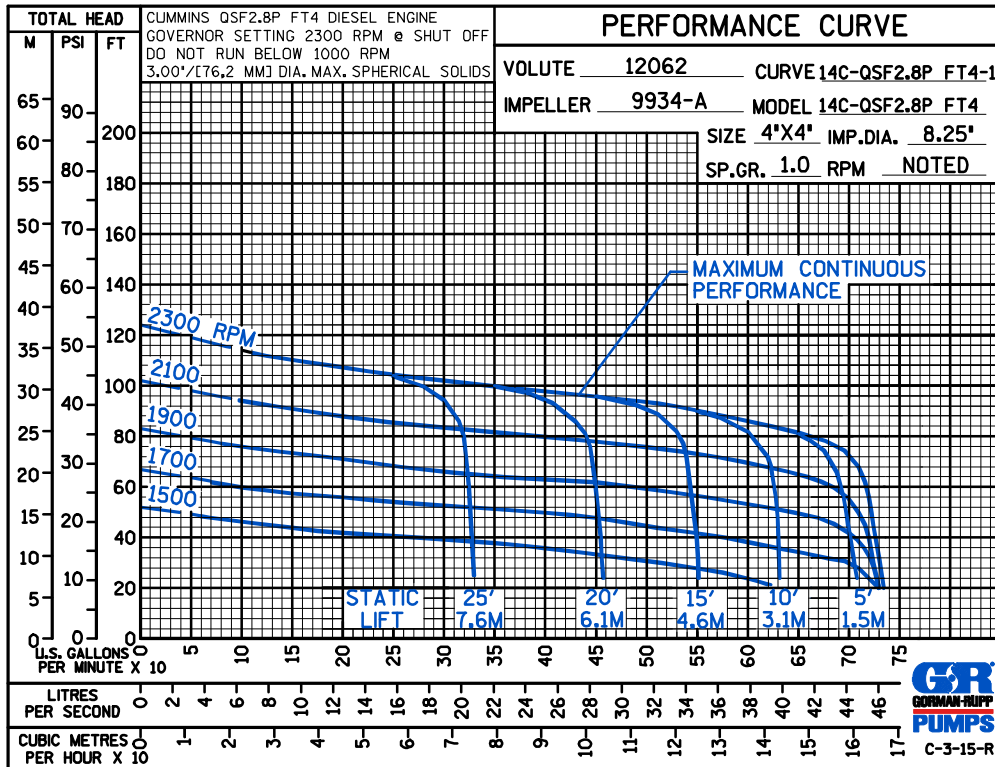
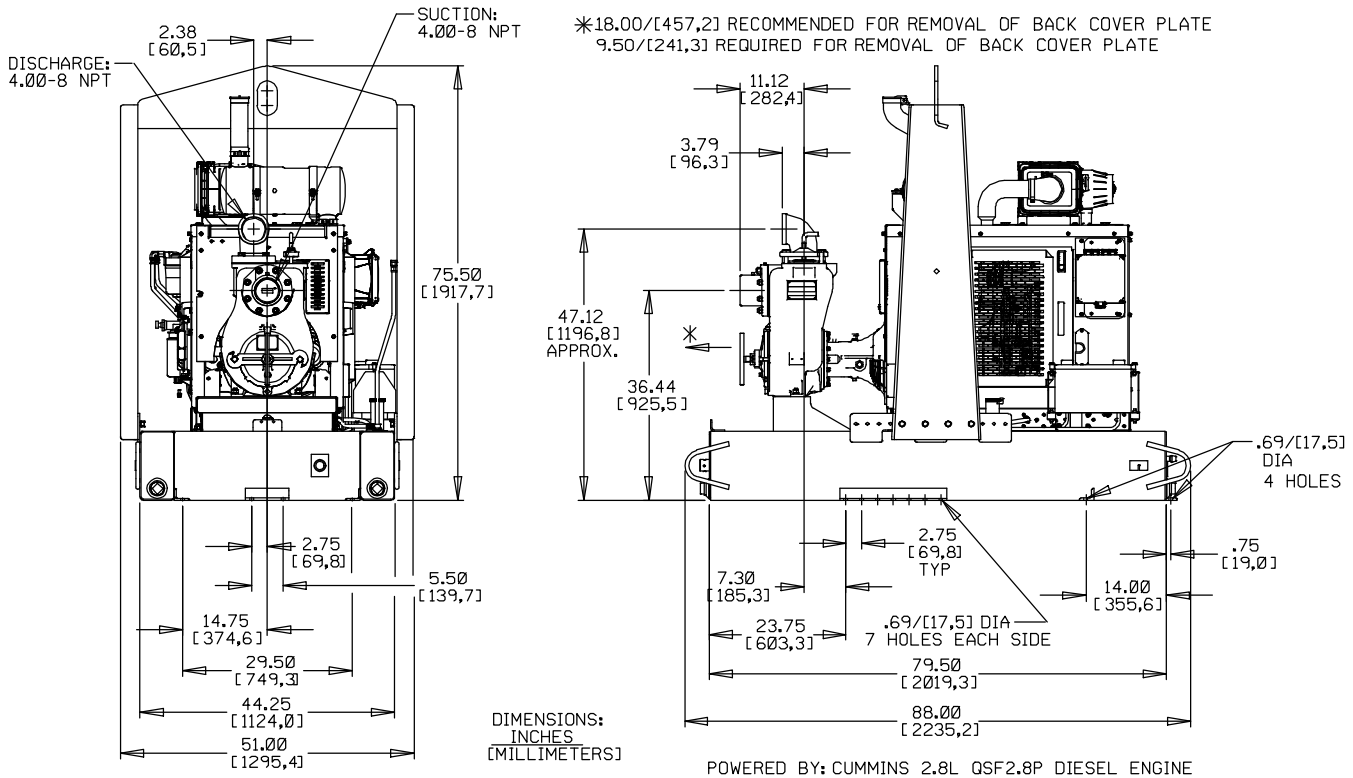
Printed in U.S.A.

# Specification Data

APPROXIMATE DIMENSIONS and WEIGHTS

	<b>SKID BASE</b>	<b>2-WHEEL</b>
<b>NET WEIGHT:</b>	2744 LBS. [1244,7 KG.]	3104 LBS. [1408 KG.]
<b>SHIPPING WEIGHTS:</b>	3044 LBS. [1380,7 KG.]	3104 LBS. [1408 KG.]
<b>EXPORT CRATE:</b>	259 CU. FT. [7,3 CU. M.]	

SECTION 45, PAGE 1231



## GORMAN-RUPP PUMPS

www.grpumps.com

Specifications Subject to Change Without Notice

Printed in U.S.A.