

Basic Pump



Self Priming Centrifugal Pump

Model RS3A31-BAR and RS3A32-BAR

Size 4" x 3"

PUMP SPECIFICATIONS

Size: 4" x 3" (102 mm x 76 mm) Flanged.

Casing: (RS3A31-BAR) Ductile Iron 65-45-12.

(RS3A32-BAR) Cast Steel 70-36.

Maximum Operating Pressure 71 psi (490 kPa).*

Enclosed Type, Five Vane Impeller: Aluminum 356-T6.

Handles 3/8" (9,5 mm) Diameter Spherical Solids.

Impeller Shaft: Steel 1045.

Rotor: Copper Alloy C93400.

Bearing Housing: Ductile Iron 65-45-12.

Bearing Housing Lubrication: Grease.

Body Cover: (RS3A31-BAR) Ductile Iron 65-45-12 .

(RS3A32-BAR) Cast Steel 70-36.

Center/Spacer Plate: (RS3A31-BAR) Ductile Iron 65-45-12.

(RS3A32-BAR) Cast Steel 70-36.

Radial Bearing: Permanently Sealed Single Row Ball Type.

Thrust Bearing: Permanently Sealed Single Row Ball Type.

Gaskets: Buna-N and PTFE.

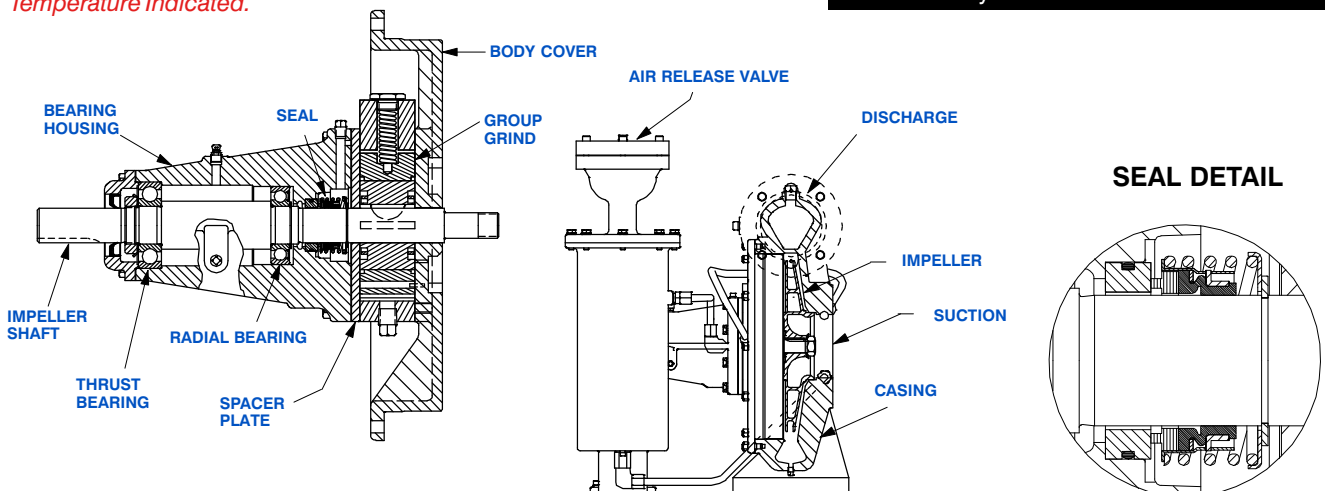
Priming: Rotary Vane Type Priming Pump.

Air Release Valve: (RS3A31-BAR) Ductile Iron/Stainless Steel.

(RS3A32-BAR) Steel/Stainless Steel.

Optional Equipment: Cast Steel 70-36 Threaded Suction and Discharge Companion Flange Kit, Copper Alloy C93700 Impeller, Group Grind with Cast Iron Rotor (RS3A31-BAR Only), Stainless Steel 416 Impeller Shaft, Buna-N Seal, PTFE Seal with Fluorocarbon O-Ring, PTFE Seal with Buna-N O-Ring, Oil Filled Bearing Housing Assembly.

*Consult Factory for Applications Exceeding Maximum Pressure and/or Temperature Indicated.



SEAL SPECIFICATIONS

Seal: Mechanical; Self-Lubricated. Fluorocarbon Elastomers (DuPont Viton[®] or Equivalent). Carbon Rotating Face; Ni-Resist Stationary Face; Maximum Temperature of Liquid Pumped is 160°F (71°C).*



GORMAN-RUPP PUMPS

www.grpumps.com

Specifications Subject to Change Without Notice

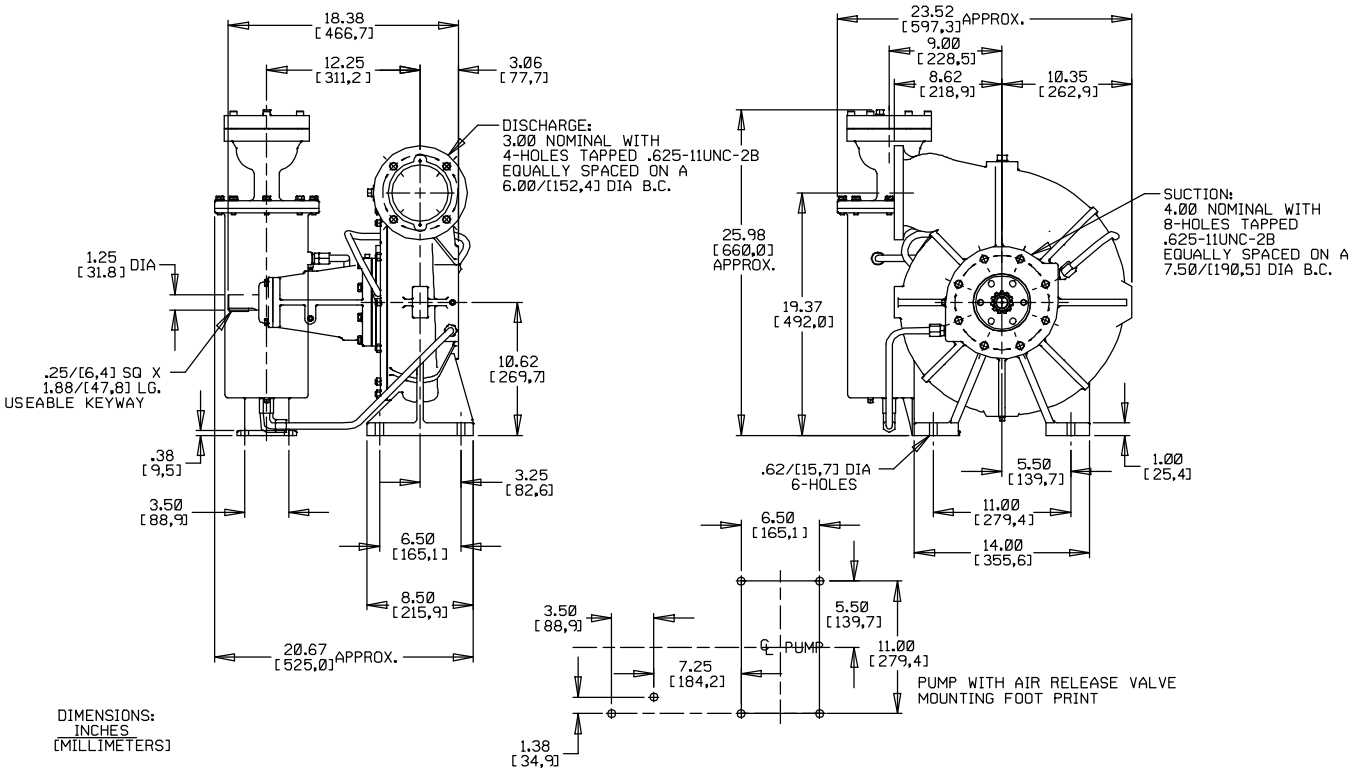
Printed in U.S.A.

Specification Data

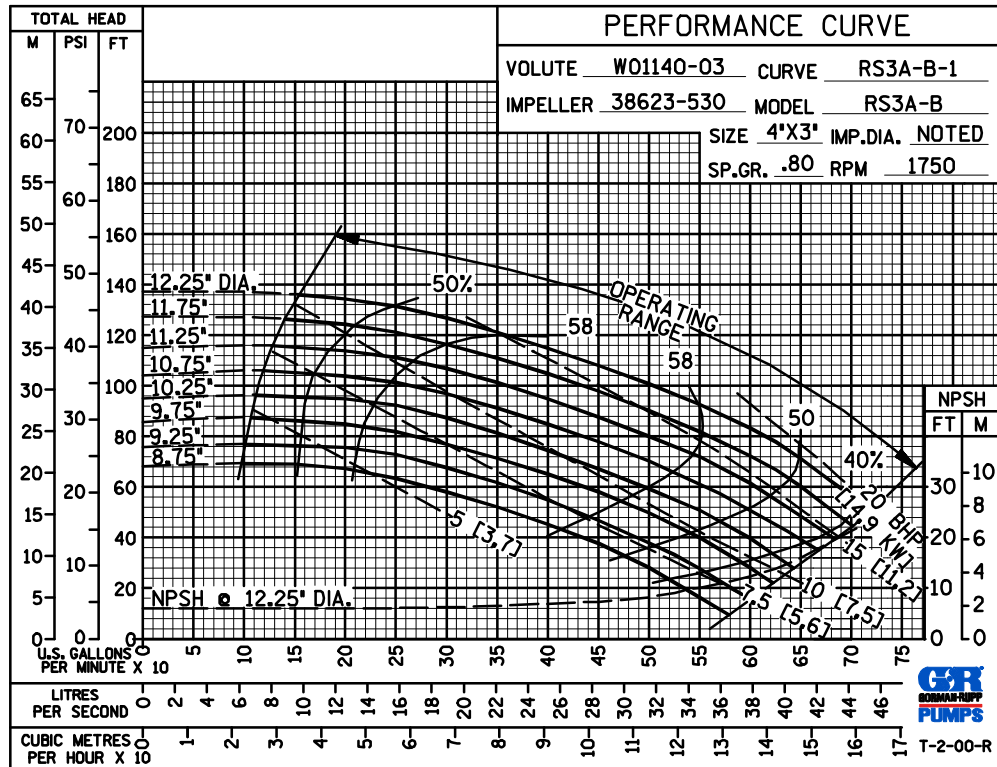
SECTION 35, PAGE 310

OVERALL DIMENSIONS
and
APPROXIMATE WEIGHTS

	RS3A31-BAR	RS3A32-BAR
PUMP NET WEIGHT:	292 LBS. (132,4 KG.)	300 LBS. (136 KG.)
SHIPPING NET WEIGHT:	307 LBS. (139,3 KG.)	320 LBS. (145,1 KG.)
EXPORT CRATE SIZE:	17.9 CU. FT. (0,51CU. M.)	



**PERFORMANCE
BASED ON
PETROLEUM
TRIMMED
IMPELLER**



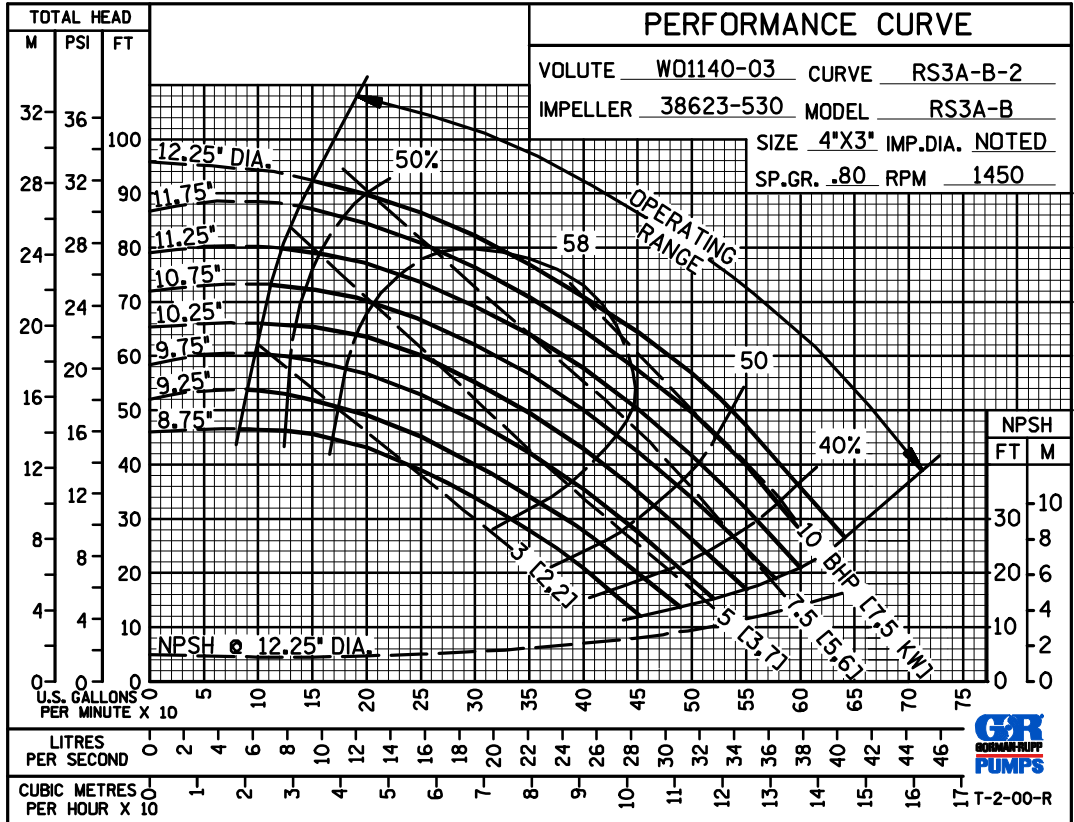
GORMAN-RUPP PUMPS

www.grpumps.com

Specifications Subject to Change Without Notice

Printed in U.S.A.

50 HERTZ
PERFORMANCE
BASED ON
PETROLEUM
TRIMMED
IMPELLER



GORMAN-RUPP PUMPS

www.grpumps.com

Specifications Subject to Change Without Notice

Printed in U.S.A.