

Basic Pump



Self Priming Centrifugal Pump

Model RS2A31-B and RS2A32-B

Size 3" x 2"

PUMP SPECIFICATIONS

Size: 3" x 2" (76 mm x 51 mm) Flanged.

Casing: (RS2A31-B) Ductile Iron 65-45-12.

(RS2A32-B) Cast Steel 70-36.

Maximum Operating Pressure 48 psi (331 kPa).*

Enclosed Type, Four Vanes Impeller: Aluminum 356-T6.

Handles 1/4" (6,4 mm) Diameter Spherical Solids.

Impeller Shaft: Steel 1045.

Rotor: Copper Alloy C93200.

Bearing Housing: Ductile Iron 65-45-12.

Bearing Housing Lubrication: Grease.

Body Cover: (RS2A31-B) Ductile Iron 65-45-12.

(RS2A32-B) Cast Steel 70-36.

Center/Spacer Plate: (RS2A31-B) Ductile Iron 65-45-12.

(RS2A32-B) Cast Steel 70-36.

Radial Bearing: Permanently Sealed Single Row Ball Type.

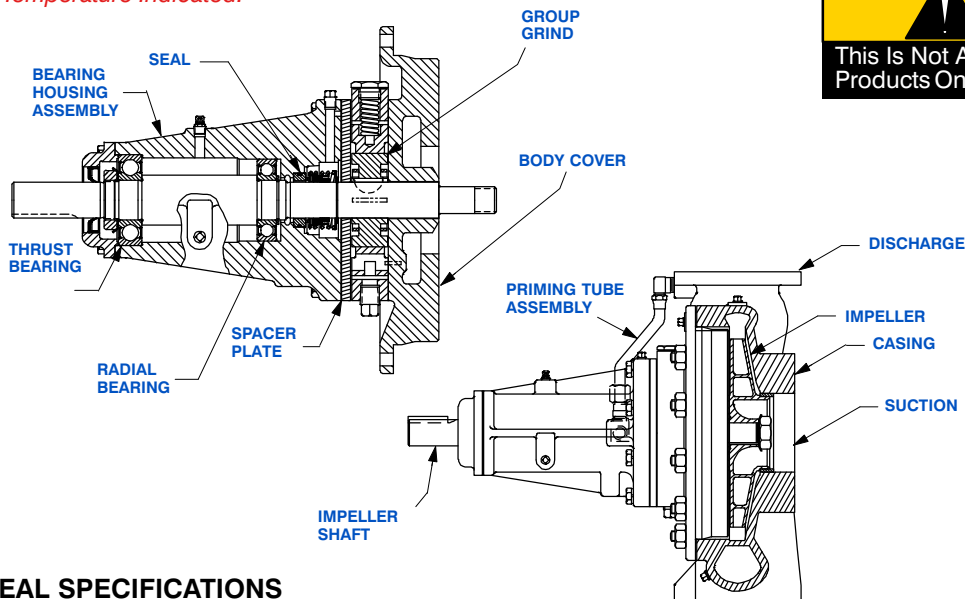
Thrust Bearing: Permanently Sealed Single Row Ball Type.

Gaskets: Buna-N and PTFE.

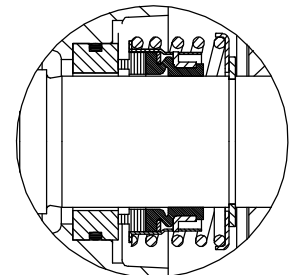
Priming: Rotary Vane Type with Built-in Spring-Loaded Priming Assist Valve.

Optional Equipment: Cast Steel 70-36 Threaded Suction and Discharge Companion Flange Kit, Copper Alloy C93700 Impeller, Group Grind with Cast Iron Rotor (RS2A31-B Only), Stainless Steel 416 Impeller Shaft, Buna-N Seal, PTFE Seal with Viton O-Ring, PTFE Seal with Buna-N O-Ring, Oil Filled Bearing Housing Assembly.

*Consult Factory for Applications Exceeding Maximum Pressure and/or Temperature Indicated.



SEAL DETAIL



SEAL SPECIFICATIONS

Seal: Mechanical; Self-Lubricated. Fluorocarbon Elastomers (DuPont Viton[®] or Equivalent). Carbon Rotating Face; Ni-Resist Stationary Face; Maximum Temperature of Liquid Pumped is 160°F (71°C).*



GORMAN-RUPP PUMPS

www.grpumps.com

Specifications Subject to Change Without Notice

Printed in U.S.A.

Specification Data

SECTION 35, PAGE 100

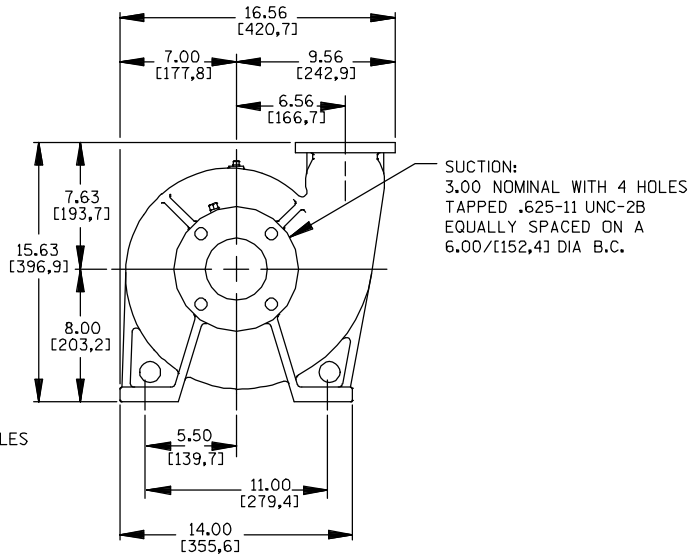
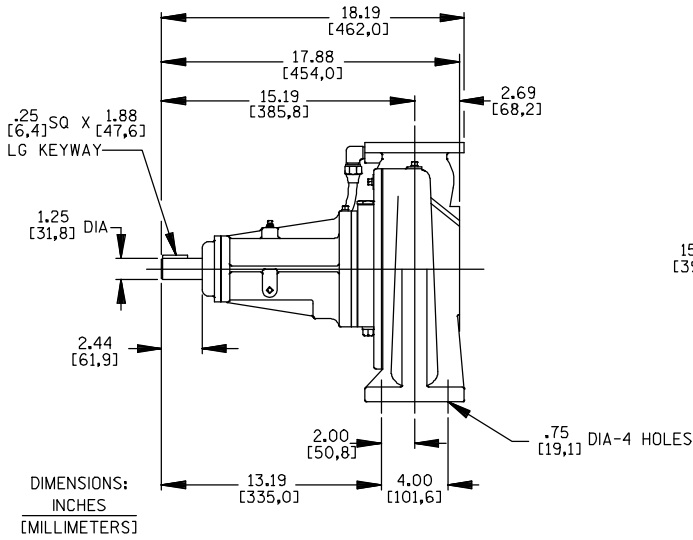
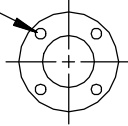
OVERALL DIMENSIONS
and
APPROXIMATE WEIGHTS

RS2A31-B

RS2A32-B

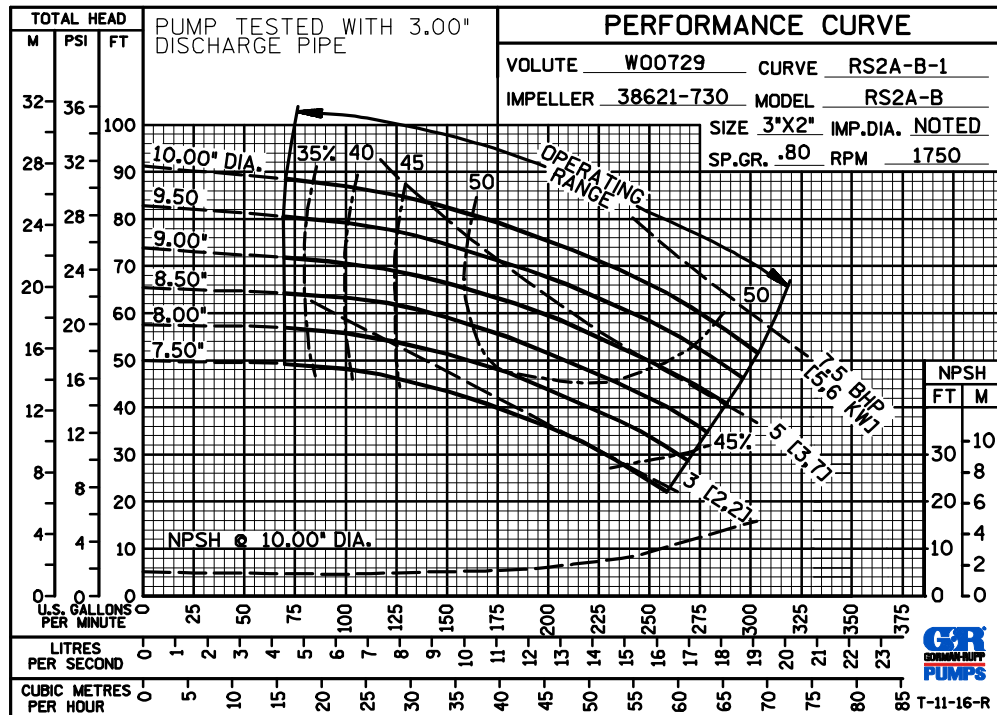
PUMP NET WEIGHT: 159 LBS. (72,1 KG.) 158 LBS. (71,7 KG.)
SHIPPING NET WEIGHT: 169 LBS. (76,7 KG.) 168 LBS. (76,2 KG.)
EXPORT CRATE SIZE: 8.1 CU. FT. (0,23 CU. M.)

DISCHARGE:
2.00 NOMINAL WITH 4 HOLES
TAPPED .625-11 UNC-2B
EQUALLY SPACED ON A
4.75/[120,7] DIA B.C.



Air Release Valve Required When Static Discharge Pressure Exceeds 8 psi (55 kPa).

**PERFORMANCE
BASED ON
PETROLEUM
TRIMMED
IMPELLER**



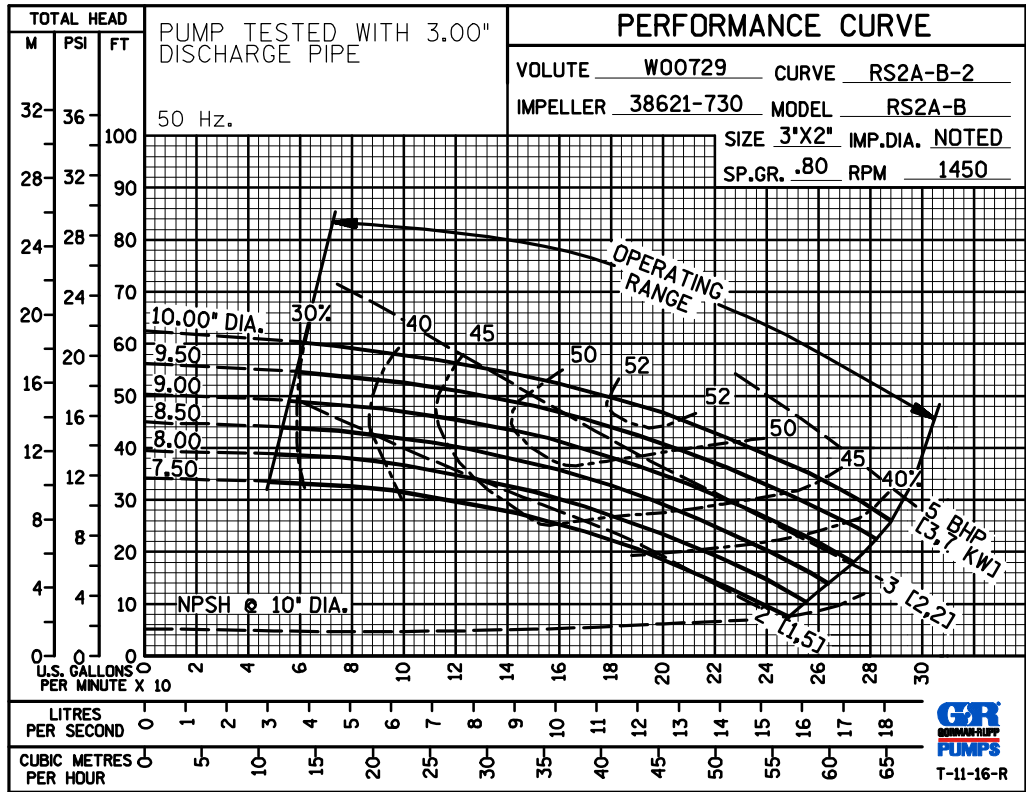
GORMAN-RUPP PUMPS

www.grpumps.com

Specifications Subject to Change Without Notice

Printed in U.S.A.

**50 HERTZ
PERFORMANCE
BASED ON-
PETROLEM
TRIMMED
IMPELLER**



GORMAN-RUPP PUMPS

www.grpumps.com

Specifications Subject to Change Without Notice

Printed in U.S.A.