

A B C E

Self Priming Centrifugal Pump



Models 03A3-B and 03A20-B

Size 3" x 3"

PUMP SPECIFICATIONS

Size: 3" x 3" (76 mm x 76 mm) NPT - Female.

Casing: Gray Iron 30.

Maximum Operating Pressure 205 psi (1413 kPa).*

Enclosed Type, Six Vane Impeller:

(03A3-B) Bronze C83600, (03A20-B) Gray Iron 30.

Handles 3/8" (9,5 mm) Diameter Spherical Solids.

Impeller Shaft: Carbon Steel 1045.

Replaceable Wear Ring: (03A3-B) Copper Alloy C93200,
(03A20-B) Gray Iron 30.

Removeable Cleanout Cover: Gray Iron 30. 2 lbs. (0,9 kg.).

Pedestal: Gray Iron 30.

Seal Plate: Gray Iron 30.

Shaft Sleeve: (03A3-B only) Alloy Steel 4130.

Radial Bearing: Open Double Row Ball.

Thrust Bearing: Open Single Row Ball.

Bearing Lubrication: SAE 30 Non-Detergent Oil.

Flanges: Gray Iron 30.

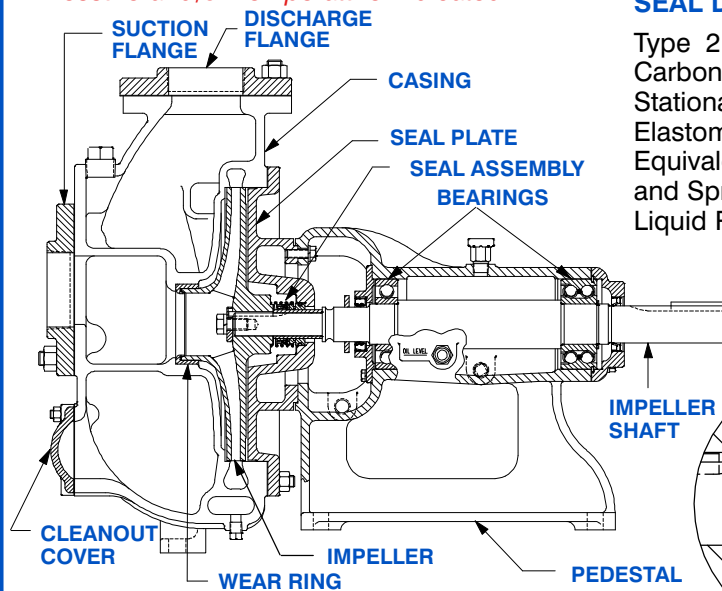
Gaskets: Cork ^W/ Buna-N.

Hardware: Standard Plated Steel.

Bearing Cavity Oil Level Sight Gauge.

Optional Equipment: Consult Factory.

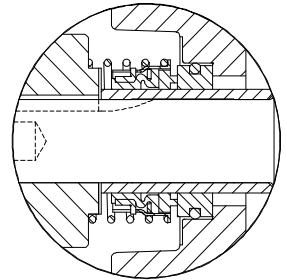
**Consult Factory for Applications Exceeding Maximum Pressure and/or Temperature Indicated.*



MODEL 03A3-B SHOWN

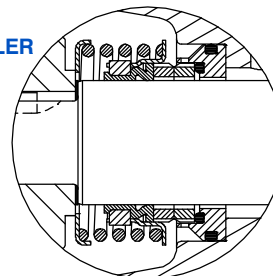
SEAL DETAIL 03A3-B

Type 2 Mechanical, Self-Lubricated. Carbon Rotating Face. Ni-Resist Stationary Face. Fluorocarbon Elastomers (DuPont Viton[®] or Equivalent). Stainless Steel 18-8 Cage and Spring. Maximum Temperature of Liquid Pumped, 160°F (71°C).*



SEAL DETAIL 03A20-B

Mechanical, Oil-Lubricated, Self-Aligning. Tungsten Titanium Carbide Rotating and Stationary Faces. Stainless Steel 316 Stationary Seat. Fluorocarbon Elastomers (DuPont Viton[®] or Equivalent). Stainless Steel 18-8 Cage and Spring. Maximum Temperature of Liquid Pumped, 160°F (71°C).*



THE GORMAN-RUPP COMPANY • MANSFIELD, OHIO

GORMAN-RUPP OF CANADA LIMITED • ST. THOMAS, ONTARIO, CANADA

www.grpumps.com

Specifications Subject to Change Without Notice

Printed in U.S.A.

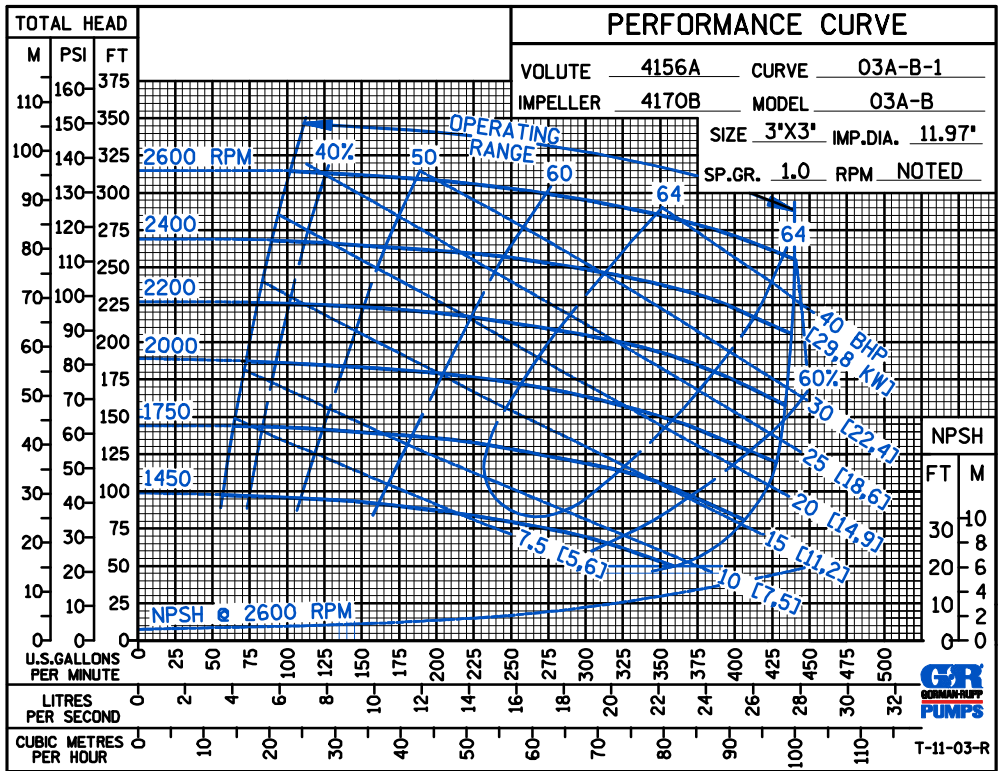
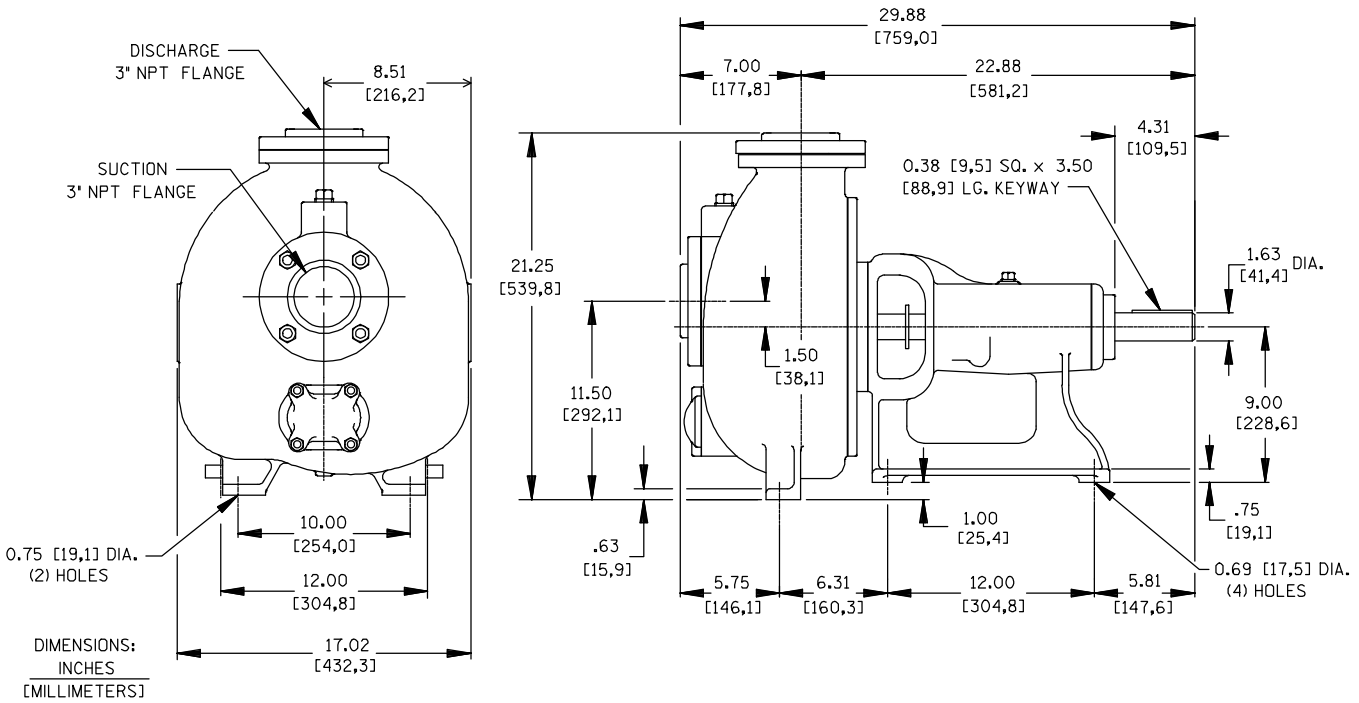
Specification Data

SECTION 30, PAGE 1600

APPROXIMATE DIMENSIONS and WEIGHTS

NET WEIGHT:
SHIPPING WEIGHTS:
EXPORT CRATE:

306 POUNDS (138 KG)
321 POUNDS (146 KG)
18 CU. FT. (0.5 CU. M.)



THE GORMAN-RUPP COMPANY • MANSFIELD, OHIO

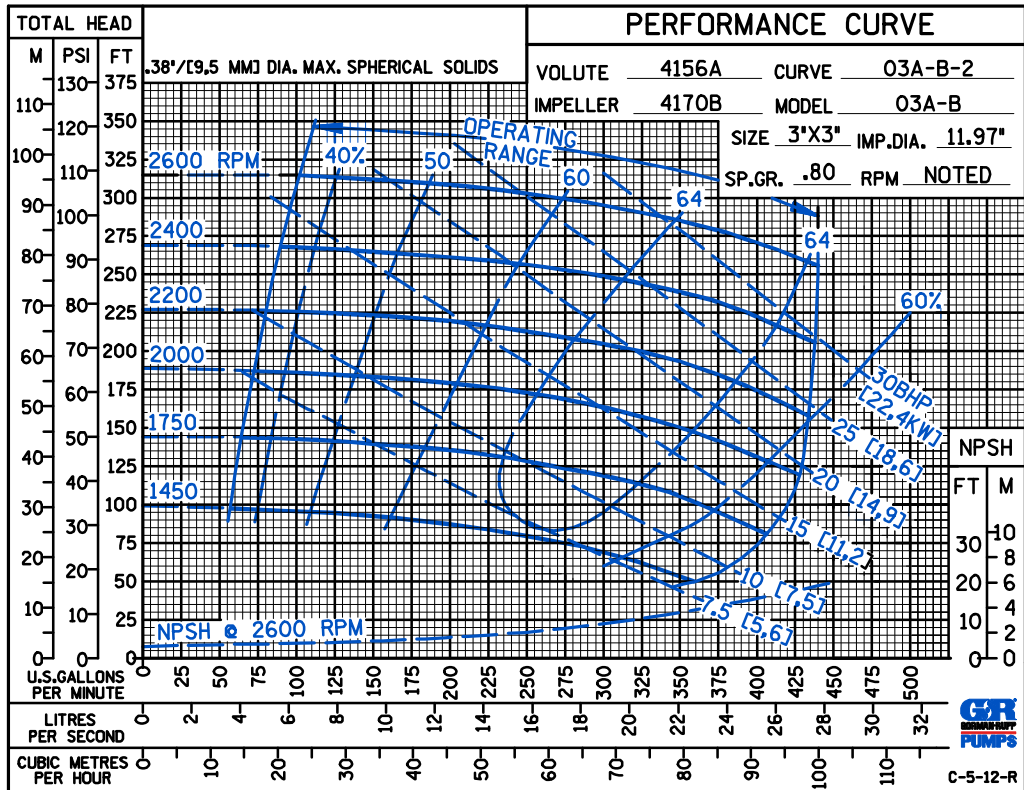
GORMAN-RUPP OF CANADA LIMITED • ST. THOMAS, ONTARIO, CANADA

Specifications Subject to Change Without Notice

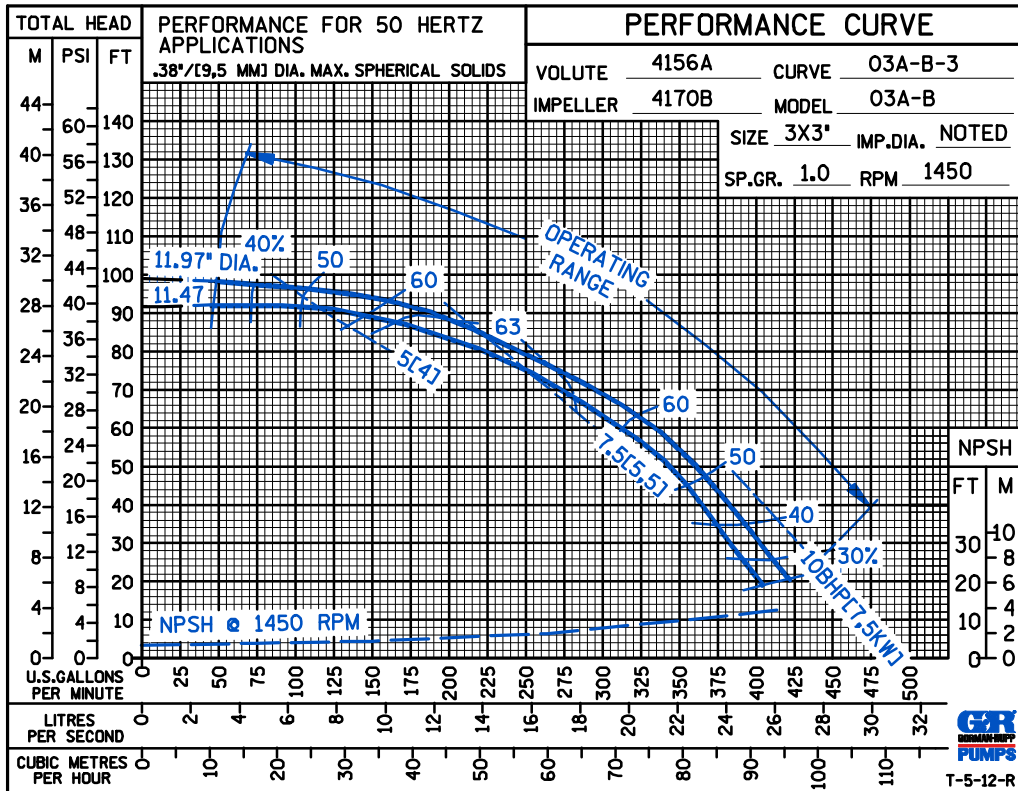
Printed in U.S.A.

A B C E

PERFORMANCE
BASED ON
PETROLEUM



50 HERTZ
PERFORMANCE
BASED ON
WATER



THE GORMAN-RUPP COMPANY • MANSFIELD, OHIO

GORMAN-RUPP OF CANADA LIMITED • ST. THOMAS, ONTARIO, CANADA

Specifications Subject to Change Without Notice

Printed in U.S.A.