

# Self Priming Centrifugal Pump



## Model 03C51-B

### Size 3" x 3"

#### PUMP SPECIFICATIONS

**Size:** 3" x 3" (76 mm x 76 mm) NPT - Female.

**Casing:** Ductile Iron 60-40-18.

Maximum Operating Pressure 75 psi (517 kPa).\*

**Enclosed Type, Five Vane Impeller:** Gray Iron 30.

Handles 7/16" (11,2 mm) Diameter Spherical Solids.

**Impeller Shaft:** Carbon Steel 1045.

**Replaceable Vane Plate:** Gray Iron 30.

**Pedestal:** Gray Iron 30.

**Seal Plate:** Ductile Iron 60-40-18.

**Radial and Thrust Bearings:** Open Single Row Ball Type.

**Bearing Lubrication:** Grease.

**Flanges:** Ductile Iron 60-40-18.

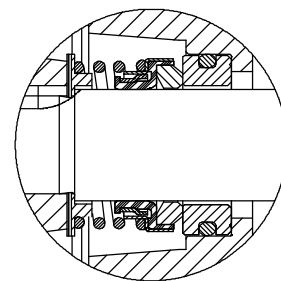
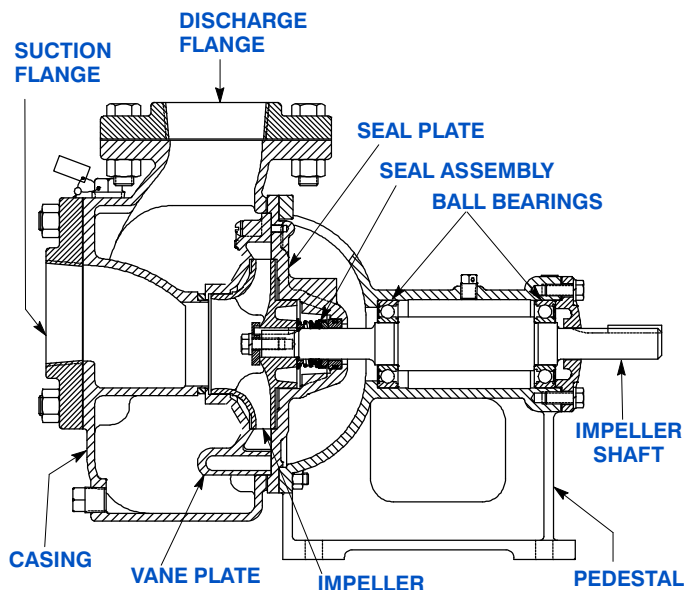
**Gaskets:** Cork <sup>w</sup>/Nitrile Binder NC710.

**Hardware:** Standard Plated Steel.

**Optional Equipment:** Silicon Graphite Seal.



*\*Consult Factory for Applications Exceeding Maximum Pressure and/or Temperature Indicated.*



#### SEAL DETAIL:

Type 31, Mechanical Self-Lubricated. Silicon Carbide Rotating and Stationary Faces. Fluorocarbon Elastomers (DuPont Viton<sup>®</sup> or Equivalent). Cage and Spring are Stainless Steel 18-8. Maximum Temperature of Liquid Pumped, 160°F (71°C).\*



## GORMAN-RUPP PUMPS

www.grpumps.com

Specifications Subject to Change Without Notice

Printed in U.S.A.

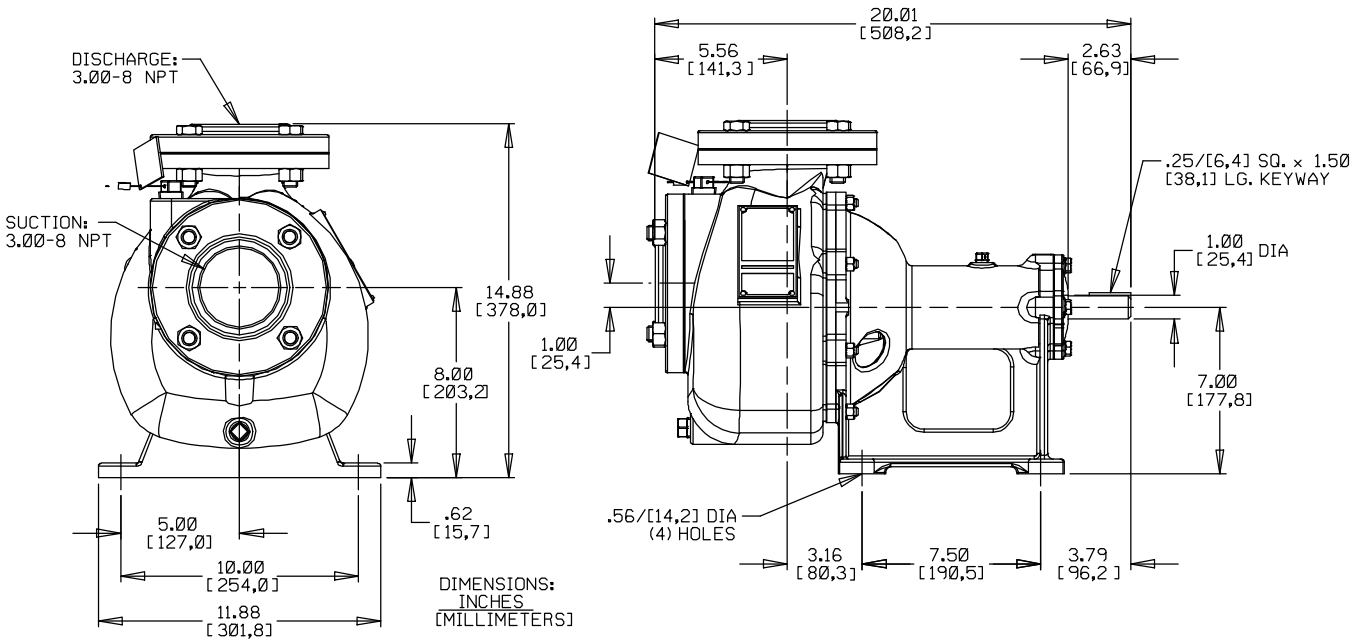
**Specification Data**

APPROXIMATE  
DIMENSIONS and WEIGHTS

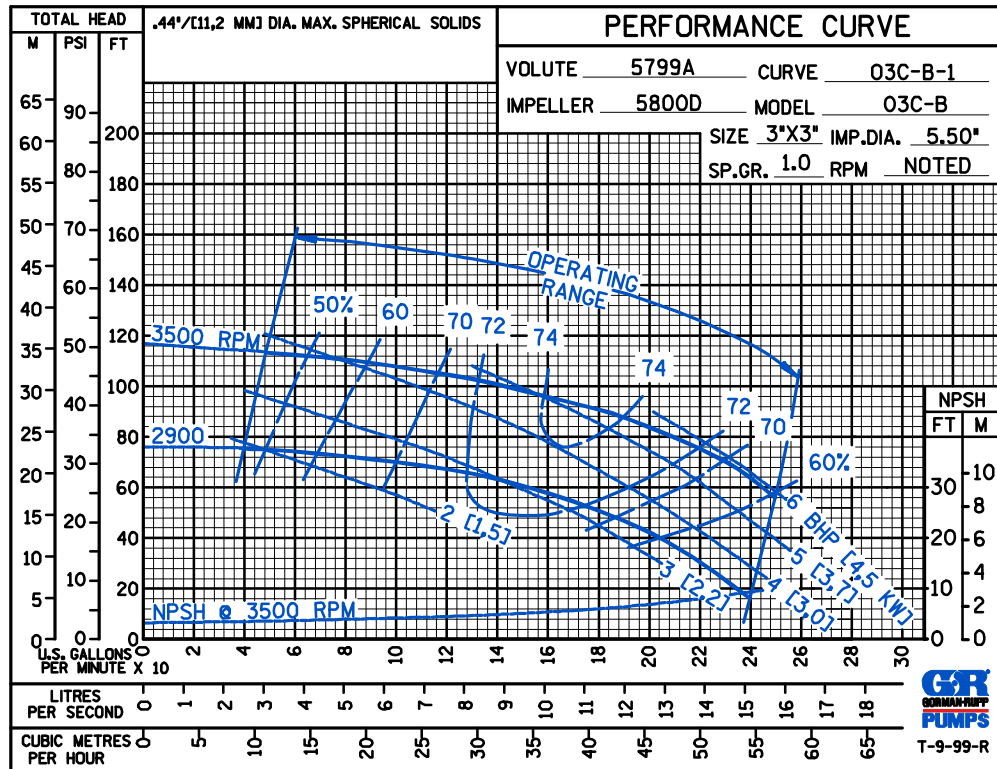
**NET WEIGHT:**  
**SHIPPING WEIGHT:**  
**EXPORT CRATE:**

**120 LBS. (54,4 KG.)**  
**132 LBS. (59,8 KG.)**  
**3.6 CU. FT. (0,1 CU. M.)**

**SECTION 30, PAGE 1302**



**MULTI-SPEED  
CURVE  
PERFORMANCE  
BASED ON  
WATER**



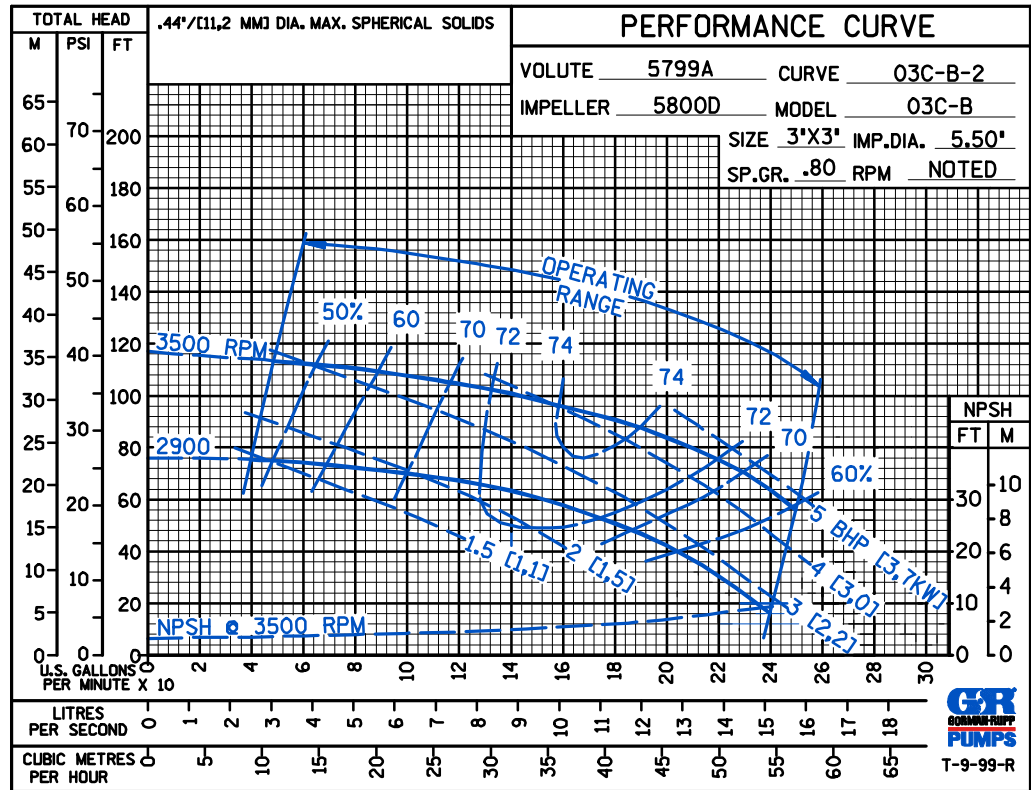
**GORMAN-RUPP PUMPS**

www.grpumps.com

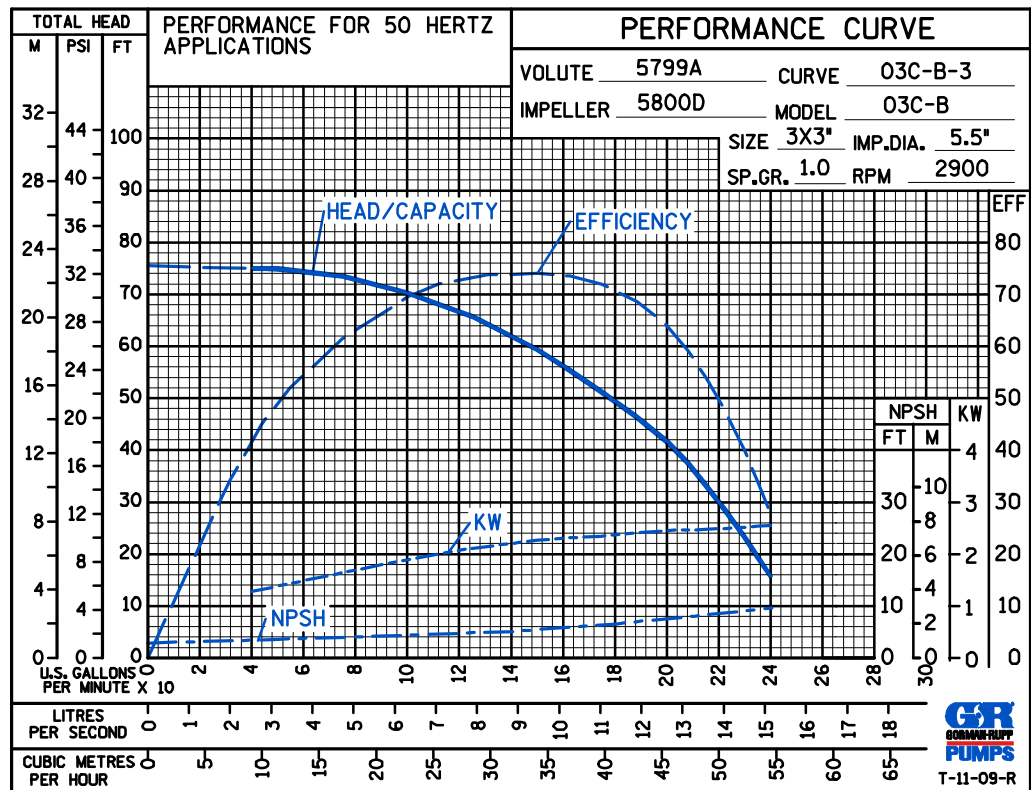
Specifications Subject to Change Without Notice

Printed in U.S.A.

**MULTI-SPEED  
CURVE  
PERFORMANCE  
BASED ON  
PETROLEUM**



**50 HERTZ  
PERFORMANCE  
BASED ON  
WATER**



GORMAN-RUPP PUMPS

www.grpumps.com

Specifications Subject to Change Without Notice

Printed in U.S.A.