



Basic Pedestal

Self Priming Centrifugal Pump

Model 02K52-B

Size 2" x 2"

PUMP SPECIFICATIONS

Size: 2" x 2" (51 mm x 51 mm) NPT – Female.

Casing: Gray Iron 30.

Maximum Operating Pressure 55 psi (379 kPa).*

Enclosed Type, Four Vane Impeller: Gray Iron 30.

Handles 3/8" (9,5 mm) Diameter Spherical Solids.

Impeller Shaft: Carbon Steel 1215.

Replaceable Vane Plate: Gray Iron 30.

Intermediate: Gray Iron 30.

Bearing Housing: Gray Iron 30.

Thrust and Radial Bearings: Sealed Single Row Ball.

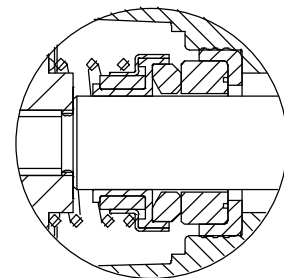
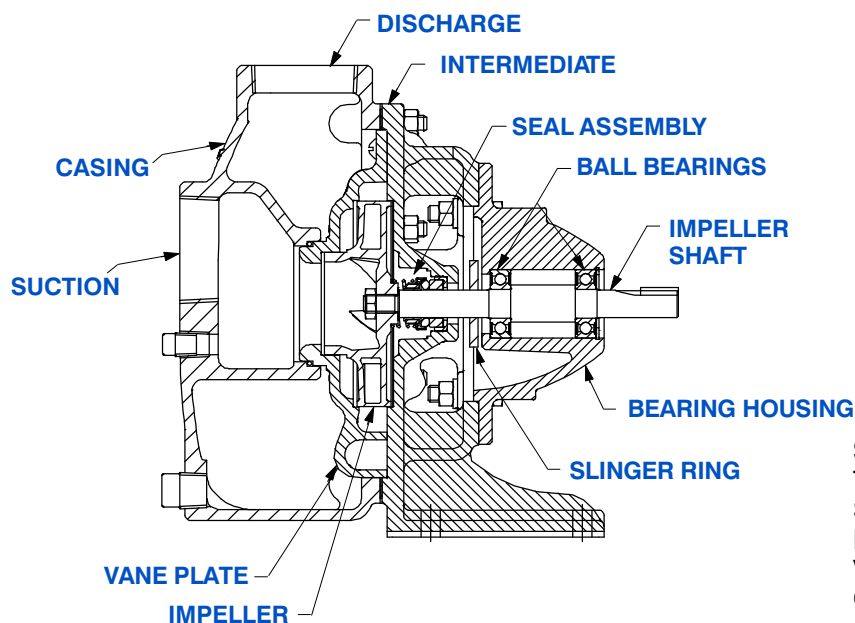
Gaskets: NC710 Cork with Nitrile Binder.

O-Ring: Fluorocarbon (DuPont Viton® or Equivalent).

Hardware: Standard Plated Steel.

Optional Equipment: Ductile Iron Casing.

**Consult Factory for Applications Exceeding Maximum Pressure and/or Temperature Indicated.*



SEAL DETAIL

Type 31, Mechanical Self-Lubricated. Silicon Carbide Rotating and Stationary Faces. Fluorocarbon Elastomers (DuPont Viton® or Equivalent). Stainless Steel 304 Cage and Spring. Maximum Temperature of Liquid Pumped, 160°F (71 °C).*



GORMAN-RUPP PUMPS

www.grpumps.com

Specifications Subject to Change Without Notice

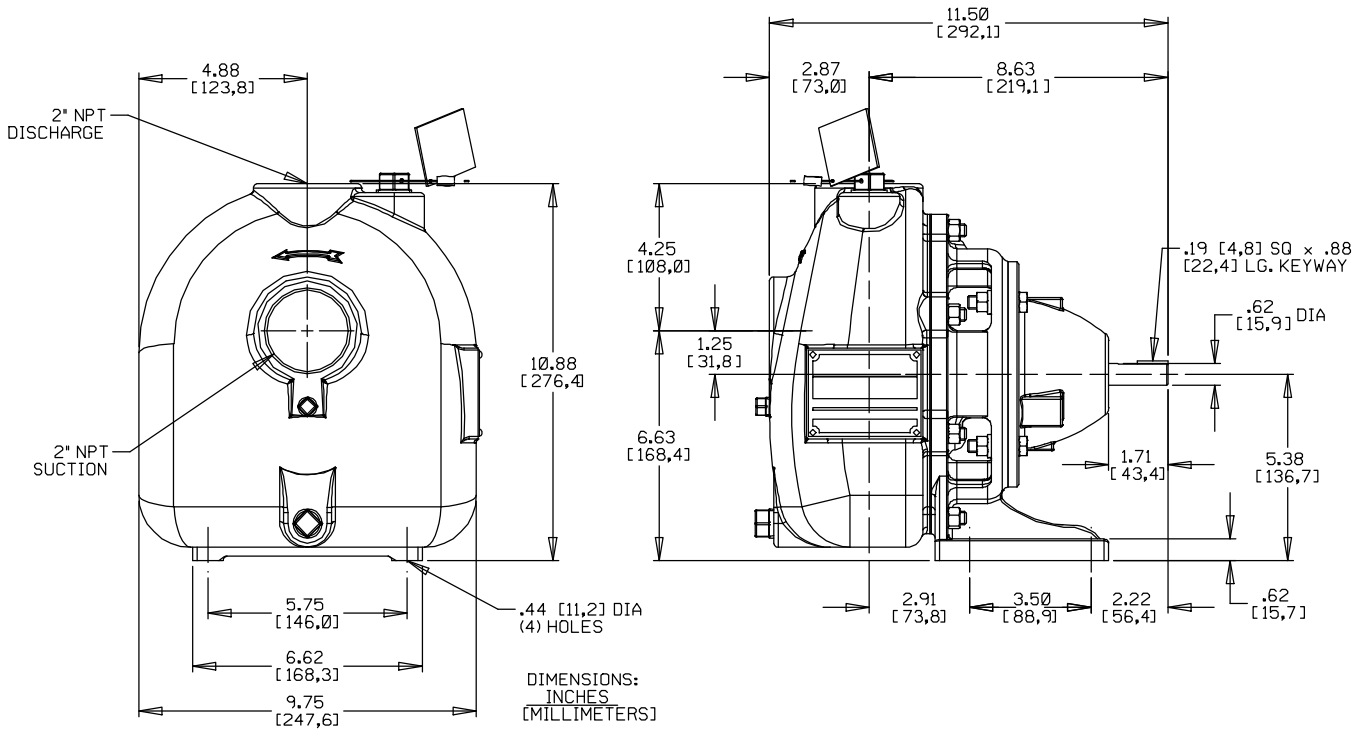
Printed in U.S.A.

Specification Data

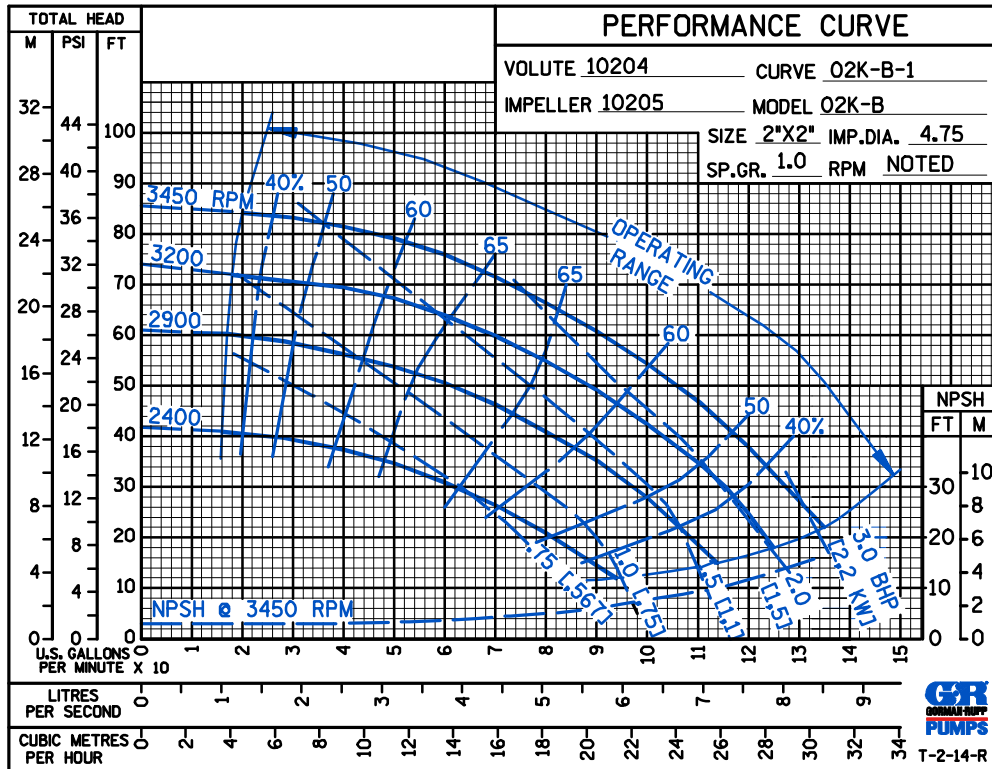
SECTION 30, PAGE 828

APPROXIMATE
DIMENSIONS and WEIGHTS

NET WEIGHT: 46 LBS. (21 KG.)
SHIPPING WEIGHTS: 56 LBS. (25 KG.)
EXPORT CRATE: 2.3 CU. FT. (1.76 CU. M.)



**PERFORMANCE
BASED ON
WATER**



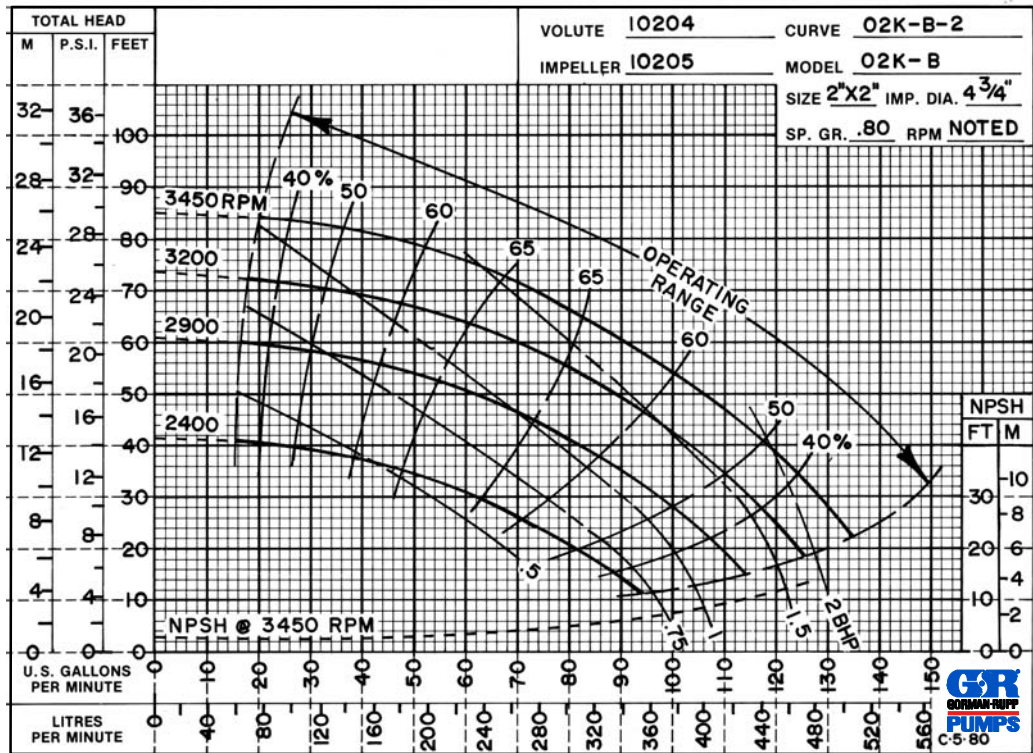
GORMAN-RUPP PUMPS

www.grpumps.com

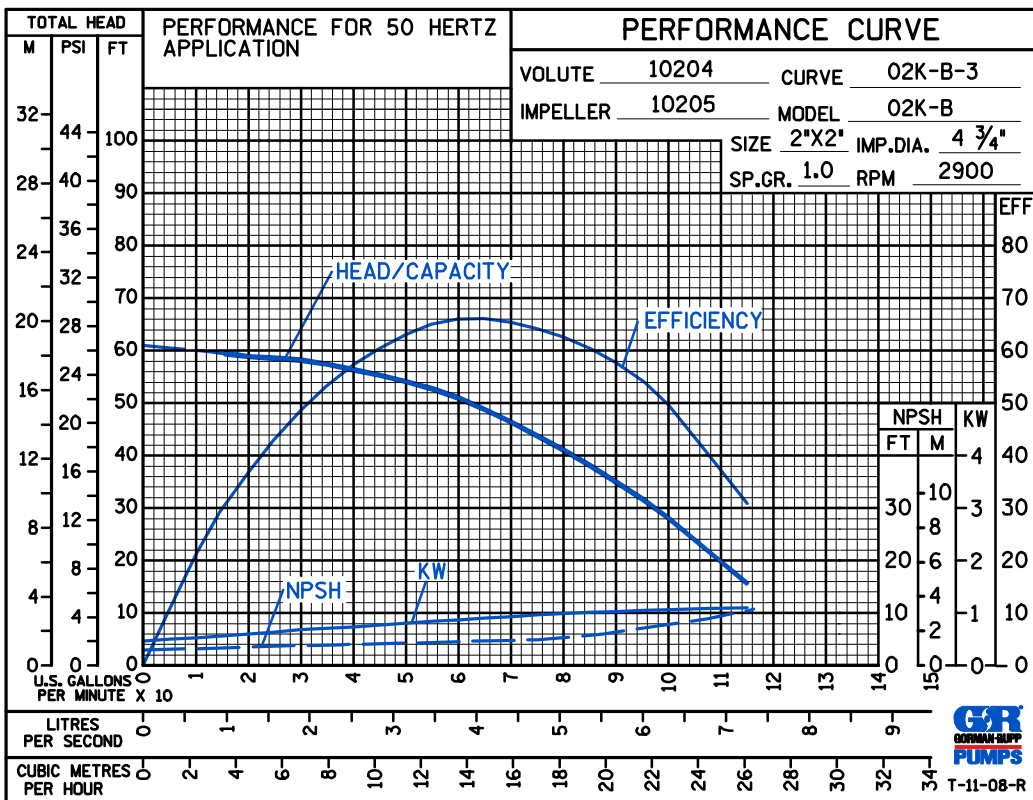
Specifications Subject to Change Without Notice

Printed in U.S.A.

PERFORMANCE
BASED ON
PETROLEUM



50 HERTZ
PERFORMANCE
BASED ON
WATER



GORMAN-RUPP PUMPS

www.grpumps.com

Specifications Subject to Change Without Notice

Printed in U.S.A.