

ACDEU

Use With: OM-04760
MR-04959

PUBLICATION NUMBER PL-04983-02
November 18, 2005



**PUMP MODELS
14D52-GX390
14D52-(GX390) PPO**

**MANUAL
PART 2 of 3**

**PARTS
LIST
WITH
PERFORMANCE CURVE**

THE GORMAN-RUPP COMPANY • MANSFIELD, OHIO

www.gormanrupp.com

GORMAN-RUPP OF CANADA LIMITED • ST. THOMAS, ONTARIO, CANADA

Printed in U.S.A.

©2005 The Gorman-Rupp Company

Register your new
Gorman-Rupp pump online at
www.grpumps.com

Valid serial number and e-mail address required.



The engine exhaust from this product contains chemicals known to the State of California to cause cancer, birth defects or other reproductive harm.

RECORD YOUR PUMP MODEL AND SERIAL NUMBER

Please record your pump model and serial number in the spaces provided below. Your Gorman-Rupp distributor needs this information when you require parts or service.

Pump Model: _____
Serial Number: _____

PERFORMANCE CURVE – SECTION A

RECORDING MODEL AND SERIAL NUMBERS

Please record the pump model and serial number in the spaces provided below and in the separate Installation/Operation Manual accompanying your pump. Your Gorman-Rupp distributor needs this information when you require parts or service.

Pump Model: _____

Serial Number: _____

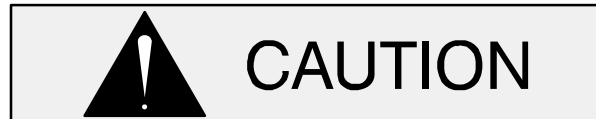
WARRANTY INFORMATION

The pump warranty is provided as part of Gorman-Rupp's support program for customers who operate and maintain their equipment as described in this manual and other accompanying literature. Please note that should the equipment be abused or modified to change its performance beyond the original factory specifications, the warranty will become void and any claim will be denied.

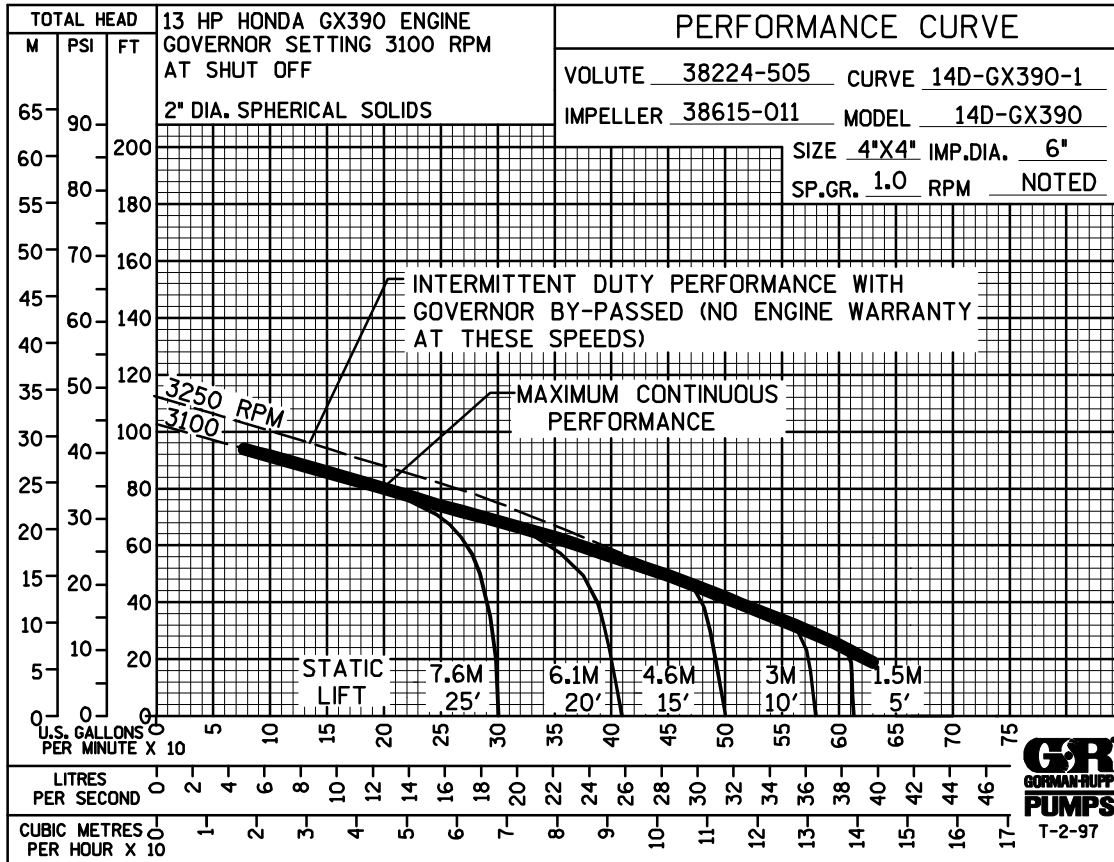
PERFORMANCE CURVE

The performance curve on the following page is based on 70° F (21° C) clear water at sea level. Since pump installations are seldom identical, your performance may be different due to such factors as viscosity, specific gravity, elevation, temperature, and impeller trim.

If your pump serial number is followed by an "N", your pump is **NOT** a standard production model. Contact the Gorman-Rupp Company to verify performance or part numbers.



Pump speed and operating condition points must be within the continuous performance range shown on the curve(s).



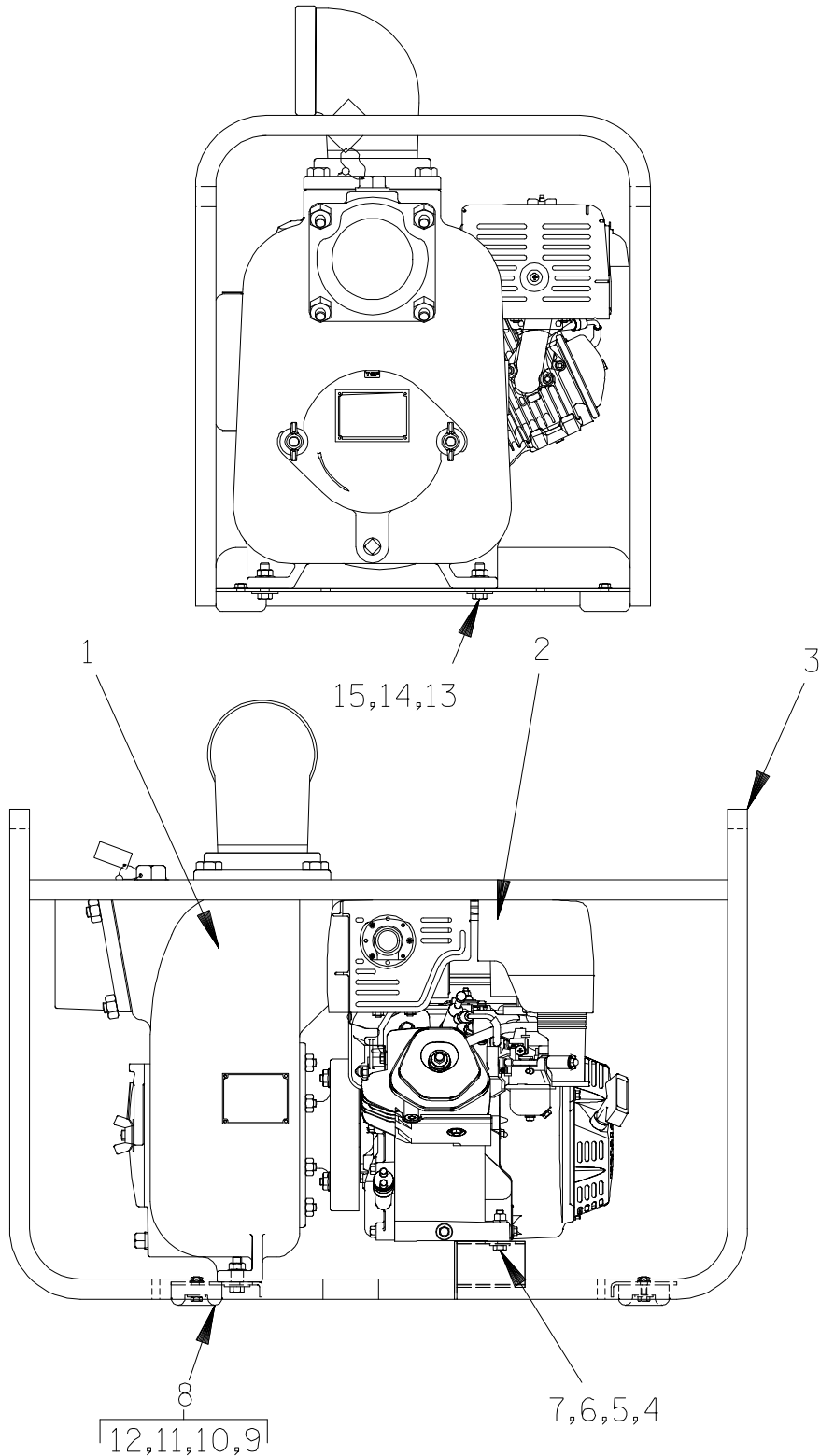
Performance Curve – Model 14D52-GX390

This Page Intentionally Blank

14D52-GX390 14D52-(GX390) PPO

S/N 1411510 UP

PUMP ISSUE 2



THE GORMAN-RUPP COMPANY • MANSFIELD, OHIO

GORMAN-RUPP OF CANADA LIMITED • ST. THOMAS, ONTARIO, CANADA Printed in U.S.A.

©2005 The Gorman-Rupp Company

14D52—GX390

14D52—(GX390) PPO

ACDEU

S/N 1411510 UP

PUMP ISSUE 2

If your pump serial number is followed by an "N", your pump is NOT a standard production model. Contact the Gorman-Rupp Company to verify part numbers.

ITEM NO.	PART NAME	PART NUMBER	MAT'L CODE	QTY
1	PUMP END ASSY	14D52—(CH13)	---	1
2	HONDA GX390 ENGINE	29122—036	---	1
3	ROLLOVER BASE	41583—334	24150	1
4	HEX HD CAPSCREW	B0607	15991	2
5	HEX NUT	D06	15991	2
6	LOCK WASHER	J06	15991	2
7	FLAT WASHER	K06	15991	2
8	RUBBER FOOT MOUNTING KIT	48152—603	---	1
9	—RUBBER BUMPER	S1224	---	4
10	—HEX HD CAPSCREW	B0504	15991	4
11	—FLAT WASHER	K05	15991	4
12	—HEX NUT W/FLANGE	21765—312	---	4
13	HEX HD CAPSCREW	B0706	15991	2
14	FLAT WASHER	K07	15991	2
15	HEX NUT WITH FLANGE	21765—315	---	2

NOT SHOWN:

WARNING DECAL	2613FE	---	1
HAND CARRY	2613FT	---	4
INSTRUCTION TAG	38817—085	---	1
G-R DECAL	GR—03	---	1
ENGINE START UP TAG	38816—269	---	1
PRIMMING STICKER	6588AH	---	1
STRAINER	4917	---	1

THE GORMAN-RUPP COMPANY • MANSFIELD, OHIO

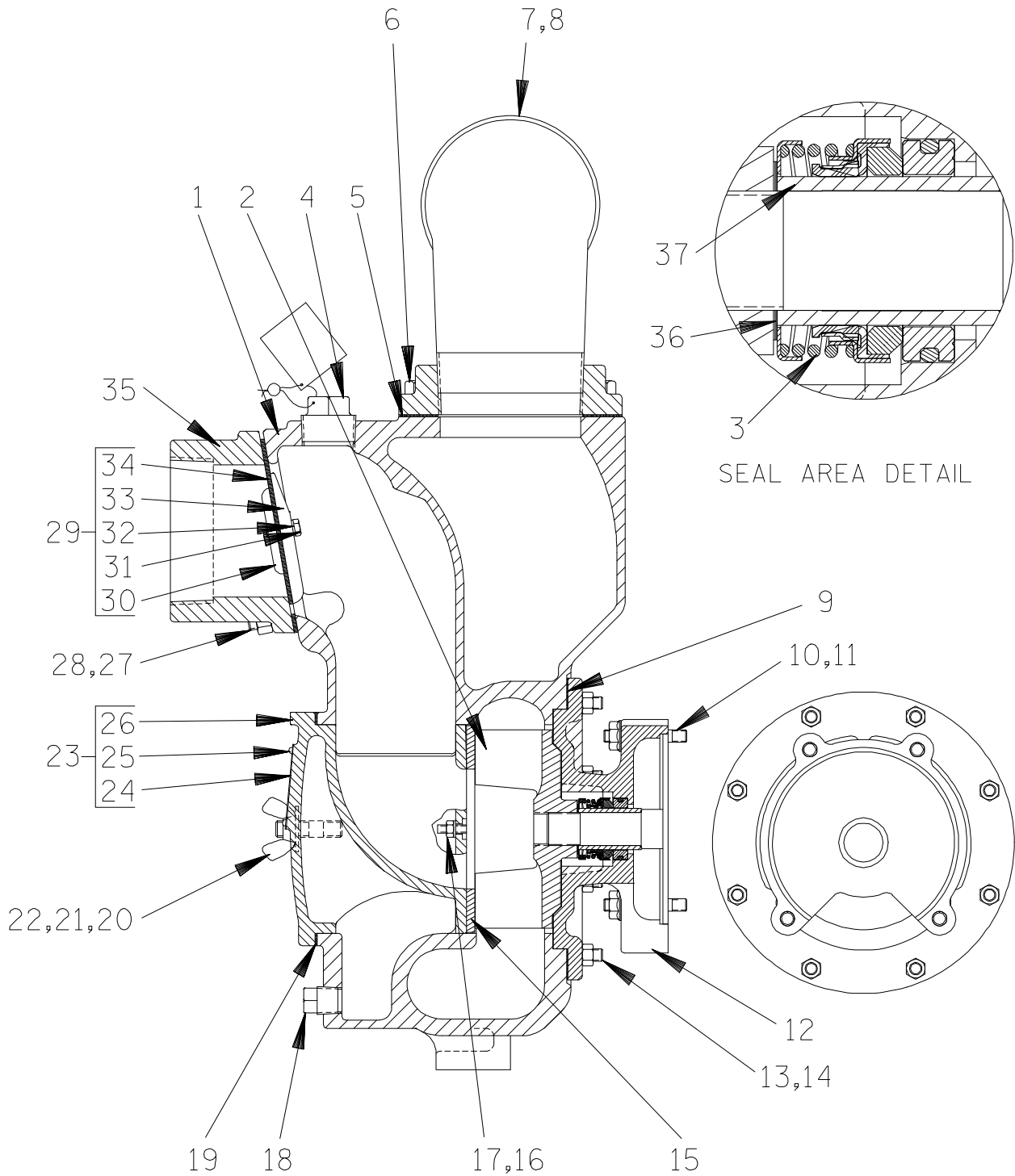
GORMAN-RUPP OF CANADA LIMITED • ST. THOMAS, ONTARIO, CANADA Printed in U.S.A.

©2005 The Gorman-Rupp Company

14D52-GX390 14D52-(GX390) PPO

S/N 1411510 UP

PUMP ISSUE 2



THE GORMAN-RUPP COMPANY • MANSFIELD, OHIO

GORMAN-RUPP OF CANADA LIMITED • ST. THOMAS, ONTARIO, CANADA Printed in U.S.A.

©2005 The Gorman-Rupp Company

14D52—GX390

14D52—(GX390) PPO

ACDEU

S/N 1411510 UP
PUMP ISSUE 2

ITEM NO.	PART NAME	PART NUMBER	MAT'L CODE	QTY
1	PUMP CASING	38224—505	10010	1
2	* IMPELLER	38615—011	10010	1
3	* SEAL ASSY	25285—855	---	1
4	FILL PLUG ASSY	48271—065	---	1
5	* DISCHARGE FLANGE GSKT	38687—009	20000	1
6	HEX HD CAPSCREW	B1005	15991	4
7	DISCHARGE FLANGE	38644—506	10010	1
8	STREET ELBOW	RS64	11999	1
9	* CASING GSKT SET	48211—022	---	1
10	STUD	C0610	15991	4
11	HEX NUT WITH FLANGE	21765—314	---	4
12	INTERMEDIATE	38264—323	10010	1
13	STUD	C0606	15991	8
14	HEX NUT	D06	15991	8
15	* WEAR PLATE ASSY	46451—302	24150	1
16	LOCKWASHER	J04	15991	2
17	HEX NUT	D04	15991	2
18	CASING DRAIN PLUG	P08	15079	1
19	* COVER PLATE GSKT	38682—015	20000	1
20	STUD	C0808	15991	2
21	FLAT WASHER	K08	15991	2
22	COVER WING NUT	BB08	15991	2
23	COVER PLATE ASSY	42111—997	---	1
24	—WARNING PLATE	2613EV	13990	1
25	—DRIVE SCREW	BM#04—03	17000	4
26	—BACK COVER PLATE	NOT AVAILABLE	---	1
27	STUD	C0808	15991	4
28	HEX NUT	D08	15991	4
29	CHECK VALVE ASSY	46413—029	---	1
30	* —VALVE WEIGHT	19	10010	1
31	—HEX HD CAPSCREW	B0403—1/2	17000	2
32	—LOCKWASHER	J04	17000	2
33	* —VALVE WEIGHT	4718	10010	1
34	* —CHECK VALVE GSKT	38671—626	19070	1
35	SUCTION FLANGE	38645—506	10010	1
36	* IMP ADJ SHIM SET	2X	17090	1
37	SHAFT SLEEVE	2146M	16000	1
NOT SHOWN:				
	NAME PLATE	38818—021	13990	1
	DRIVE SCREW	BM#04—03	17000	4
	SUCTION STICKER	6588AG	---	1
	DISCHARGE STICKER	6588BJ	---	1

* INDICATES PARTS RECOMMENDED FOR STOCK

THE GORMAN-RUPP COMPANY • MANSFIELD, OHIO

GORMAN-RUPP OF CANADA LIMITED • ST. THOMAS, ONTARIO, CANADA Printed in U.S.A.

©2005 The Gorman-Rupp Company

**For U.S. and International Warranty Information,
Please Visit www.grpumps.com/warranty**

or call:

U.S.: 419-755-1280

International: +1-419-755-1352

**For Canadian Warranty Information,
Please Visit www.grcanada.com/warranty**

or call:

519-631-2870