

ACEG

Use With: OM-04760
MR-04885

PUBLICATION NUMBER PL-04889-01
July 9, 1998 Rev. A: 07/09/98
Supersedes: OM-03710-01



PUMP MODEL 12D-GX160

**MANUAL
PART 2 of 3**

**PARTS
LIST
WITH
PERFORMANCE CURVE**

THE GORMAN-RUPP COMPANY • MANSFIELD, OHIO

GORMAN-RUPP OF CANADA LIMITED • ST. THOMAS, ONTARIO, CANADA Printed in U.S.A.

©Copyright by the Gorman-Rupp Company

Register your new
Gorman-Rupp pump online at
www.grpumps.com/register.

Valid serial number and e-mail address required.



The engine exhaust from this product contains chemicals known to the State of California to cause cancer, birth defects or other reproductive harm.

RECORD YOUR PUMP MODEL AND SERIAL NUMBER

Please record your pump model and serial number in the spaces provided below. Your Gorman-Rupp distributor needs this information when you require parts or service.

Pump Model: _____

Serial Number: _____

PERFORMANCE CURVE – SECTION A

RECORDING MODEL AND SERIAL NUMBERS

Please record the pump model and serial number in the spaces provided below and in the separate Installation/Operation Manual accompanying your pump. Your Gorman-Rupp distributor needs this information when you require parts or service.

Pump Model: _____

Serial Number: _____

WARRANTY INFORMATION

The pump warranty is provided as part of Gorman-Rupp's support program for customers who operate and maintain their equipment as described in this manual and other accompanying literature. Please note that should the equipment be abused or modified to change its performance beyond the original factory specifications, the warranty will become void and any claim will be denied.

PERFORMANCE CURVES

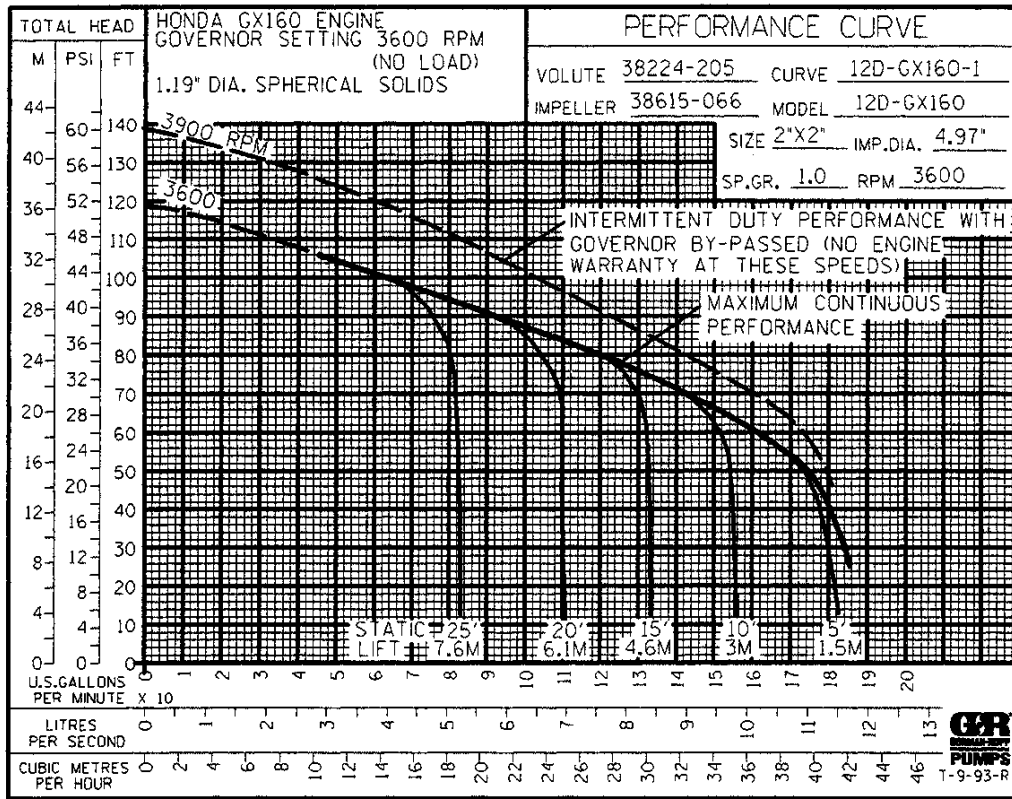
The performance curves on the following page are based on 70° F (21° C) clear water at sea level. Since pump installations are seldom identical, your performance may be different due to such factors as viscosity, specific gravity, elevation, temperature, and impeller trim.

If your pump serial number is followed by an "N", your pump is **NOT** a standard production model. Contact the Gorman-Rupp Company to verify performance or part numbers.

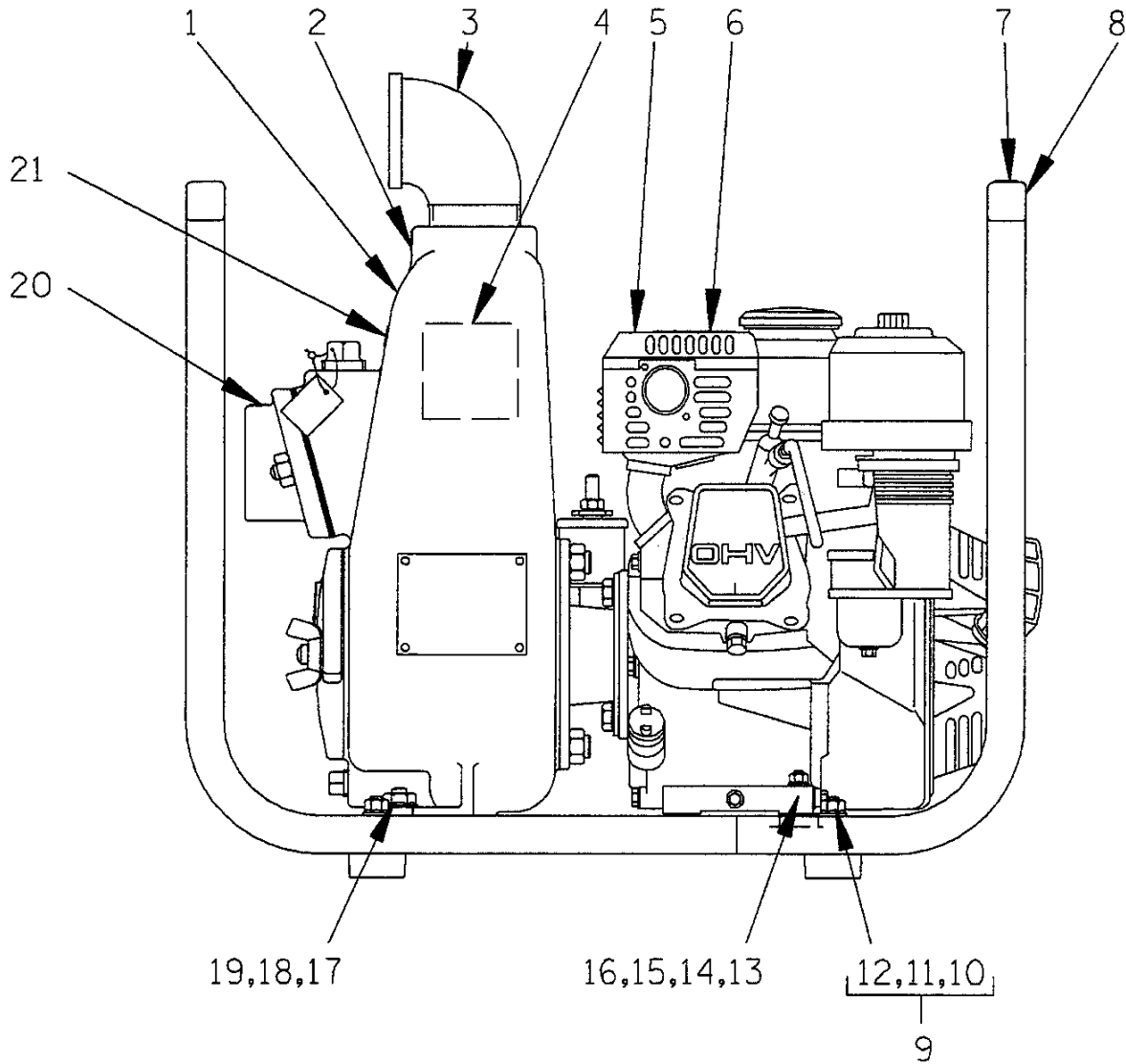


Pump speed and operating condition points must be within the continuous performance range shown on the curve(s).

This Page Intentionally Blank



Performance Curve – Model 12D-GX160



THE GORMAN-RUPP COMPANY • MANSFIELD, OHIO

GORMAN-RUPP OF CANADA LIMITED • ST. THOMAS, ONTARIO, CANADA Printed in U.S.A.

©Copyright by the Gorman-Rupp Company

12D-GX160

S/N 1003228 UP

PUMP ISSUE 1

If your pump serial number is followed by an "N", your pump is NOT a standard production model. Contact the Gorman-Rupp Company to verify part numbers.

| ITEM NO. | PART NAME | PART NUMBER | MAT'L CODE | QTY | ITEM NO. | PART NAME | PART NUMBER | MAT'L CODE | QTY |
|----------|---------------------|-------------|------------|-----|----------|-------------------|-------------|------------|-----|
| 1 | PUMP END ASSY | 12D-(GX160) | ---- | 1 | 14 | FLAT WASHER | KE05 | 15991 | 2 |
| 2 | DISCHARGE STICKER | 6588BJ | ---- | 1 | 15 | SPACER | 31131-073 | 15991 | 2 |
| 3 † | STREET ELBOW | RS32 | 11999 | REF | 16 | FLANGED HEX NUT | 21765-312 | ---- | 2 |
| 4 | GREASE CUP INSTR | 6588BD | ---- | 1 | 17 | HEX HEAD CAPSCREW | B0605 | 15991 | 2 |
| 5 | HONDA GX160 ENGINE | 29122-023 | ---- | 1 | 18 | FLAT WASHER | KE06 | 15991 | 2 |
| 6 | WARNING DECAL | 2613FE | ---- | 1 | 19 | FLANGED HEX NUT | 21765-314 | ---- | 2 |
| 7 | HAND CARRY DECAL | 2613FT | ---- | 2 | 20 | SUCTION STICKER | 6588AG | ---- | 1 |
| 8 | ROLLOVER BASE | 41583-316 | 24150 | 1 | 21 | PRIMING STICKER | 6588AH | ---- | 1 |
| 9 † | RUBBER FOOT MTG KIT | 48152-607 | ---- | 1 | | OPTIONAL: | | | |
| 10 | - MOUNTING FOOT | 24631-401 | ---- | 4 | | NAME PLATE | 38818-021 | 13990 | 1 |
| 11 | - FLANGED HEX NUT | 21765-312 | ---- | 4 | | DRIVE SCREW | BM#04-03 | 15990 | 4 |
| 12 | - HEX HEAD CAPSCREW | B0506 | 15991 | 4 | | WHEEL KIT | GRP30-52 | ---- | 1 |
| 13 | HEX HEAD CAPSCREW | B0507 | 15991 | 2 | | | | | |

* INDICATES PARTS RECOMMENDED FOR STOCK

† ITEMS SHIPPED LOOSE WITH PUMP

THE GORMAN-RUPP COMPANY • MANSFIELD, OHIO

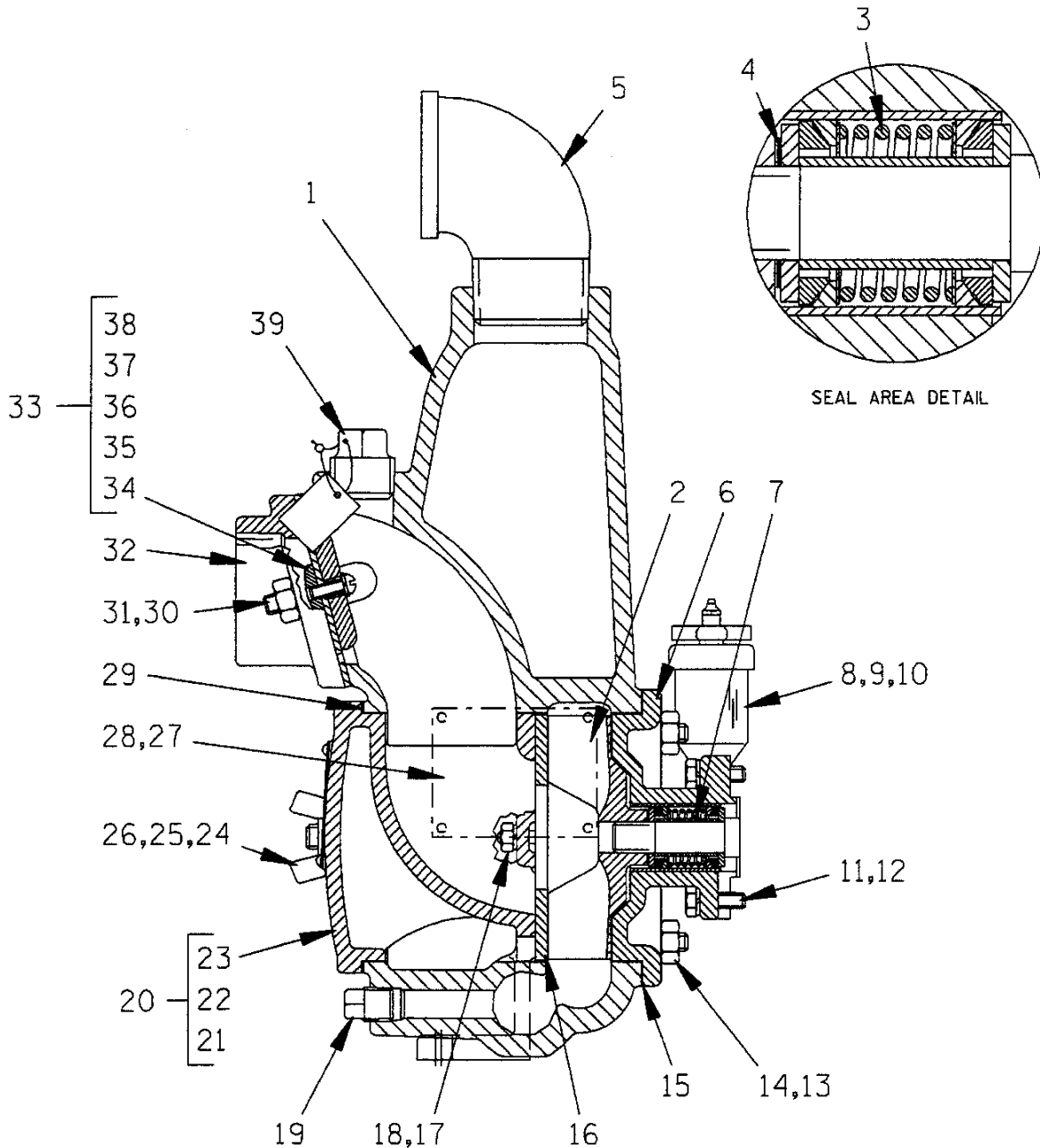
GORMAN-RUPP OF CANADA LIMITED • ST. THOMAS, ONTARIO, CANADA Printed in U.S.A.

©Copyright by the Gorman-Rupp Company

12D-GX160

S/N 1003228 UP

PUMP ISSUE 1



THE GORMAN-RUPP COMPANY • MANSFIELD, OHIO

GORMAN-RUPP OF CANADA LIMITED • ST. THOMAS, ONTARIO, CANADA Printed in U.S.A.

©Copyright by the Gorman-Rupp Company

12D-GX160

S/N 1003228 UP

PUMP ISSUE 1

| ITEM NO. | PART NAME | PART NUMBER | MAT'L CODE | QTY | ITEM NO. | PART NAME | PART NUMBER | MAT'L CODE | QTY |
|----------|-------------------|---------------|------------|-----|----------|---------------------|-------------|------------|-----|
| 1 | PUMP CASING | 38224-205 | 13040 | 1 | 23 | -DRIVE SCREW | BM#04-03 | 15990 | 4 |
| 2 * | IMPELLER | 38615-066 | 11060 | 1 | 24 | STUD | C0808 | 15991 | 2 |
| 3 * | GREASE SEAL ASSY | GS625 | --- | 1 | 25 | FLAT WASHER | KE08 | 15991 | 2 |
| 4 * | IMP ADJ SHIM SET | 513A | 17090 | REF | 26 | WING NUT | BB08 | 15991 | 2 |
| 5 | STREET ELBOW | RS32 | 11999 | 1 | 27 | NAME PLATE | 38818-021 | 13990 | 1 |
| 6 | INTERMEDIATE ASSY | 2935 | 10010 | 1 | 28 | DRIVE SCREW | BM#04-03 | 15990 | 4 |
| 7 * | -SEAL LINER | 1904 | 14080 | 1 | 29 * | BACK CVR GSKT | 12369G | 20000 | 1 |
| 8 | PIPE NIPPLE | T0408 | 15079 | 1 | 30 | STUD | C0606 | 15991 | 2 |
| 9 | PIPE ELBOW | R04 | 11999 | 1 | 31 | HEX NUT | D06 | 15991 | 2 |
| 10 | GREASE CUP | S36 | --- | 1 | 32 | SUCTION FLANGE | 38645-024 | 13040 | 1 |
| 11 | HEX HD CAPSCREW | B0503 1/2S | 15991 | 4 | 33 | CHECK VALVE ASSY | 46413-028 | --- | 1 |
| 12 | LOCKWASHER | J05 | 15991 | 4 | 34 | -SMALL VALVE WEIGHT | 19B | 10010 | 1 |
| 13 | STUD | C0805 1/2 | 15991 | 4 | 35 | -LRG VALVE WEIGHT | 1354 | 15160 | 1 |
| 14 | HEX NUT | D06 | 15991 | 4 | 36 | -LOCKWASHER | J04 | 17090 | 1 |
| 15 * | CASING GASKET SET | 504G | 18000 | 1 | 37 | -RD HD MACH SCREW | X0403 | 17090 | 1 |
| 16 * | WEAR PLATE ASSY | 46451-018 | 24150 | 1 | 38 * | -CHECK VALVE GSKT | 38671-630 | 19070 | 1 |
| 17 | LOCKWASHER | J04 | 15991 | 2 | 39 | FILL PLUG ASSY | 48271-063 | --- | 1 |
| 18 | HEX NUT | D04 | 15991 | 2 | | | | | |
| 19 | CASING DRAIN PLUG | P06 | 15079 | 1 | | | | | |
| 20 | BACK CVR ASSY | 42111-919 | --- | 1 | | | | | |
| 21 | -WARNING PLATE | 2613EV | 13990 | 1 | | | | | |
| 22 | -BACK COVER PLATE | NOT AVAILABLE | | 1 | | | | | |

NOT SHOWN:

| | | | |
|-------------------|--------|-------|---|
| STRAINER | 9026D | 24001 | 1 |
| SUCTION STICKER | 6588AG | --- | 1 |
| DISCHARGE STICKER | 6588BJ | --- | 1 |

* INDICATES PARTS RECOMMENDED FOR STOCK

THE GORMAN-RUPP COMPANY • MANSFIELD, OHIO

GORMAN-RUPP OF CANADA LIMITED • ST. THOMAS, ONTARIO, CANADA Printed in U.S.A.

©Copyright by the Gorman-Rupp Company

**For U.S. and International Warranty Information,
Please Visit www.grpumps.com/warranty**

or call:

U.S.: 419-755-1280

International: +1-419-755-1352

**For Canadian Warranty Information,
Please Visit www.grcanada.com/warranty**

or call:

519-631-2870

THE GORMAN-RUPP COMPANY • MANSFIELD, OHIO

GORMAN-RUPP OF CANADA LIMITED • ST. THOMAS, ONTARIO, CANADA