

Use With: OM-03989
MR-03991

PUBLICATION NUMBER
PL-04077-03
October 28, 2015
Rev. A 11-6-2023



PUMP MODEL RS3A31-BAR

**MANUAL
PART 2 of 3**

**PARTS
LIST
WITH
PERFORMANCE CURVE**

GORMAN-RUPP PUMPS

www.grpumps.com

©2015 Gorman-Rupp Pumps

Printed in U.S.A.

Register your new
Gorman-Rupp pump online at
www.grpumps.com

Valid serial number and e-mail address required.

RECORD YOUR PUMP MODEL AND SERIAL NUMBER

Please record your pump model and serial number in the spaces provided below. Your Gorman-Rupp distributor needs this information when you require parts or service.

Pump Model: _____
Serial Number: _____

PERFORMANCE CURVE – SECTION A

RECORDING MODEL AND SERIAL NUMBERS

Please record the pump model and serial number in the spaces provided below and in the separate Installation/Operation Manual accompanying your pump. Your Gorman-Rupp distributor needs this information when you require parts or service.

Pump Model: _____

Serial Number: _____

WARRANTY INFORMATION

The pump warranty is provided as part of Gorman-Rupp's support program for customers who operate and maintain their equipment as described in this manual and other accompanying literature. Please note that should the equipment be abused or modified to change its performance beyond the original factory specifications, the warranty will become void and any claim will be denied. For warranty information, please visit www.grpumps.com/warranty.

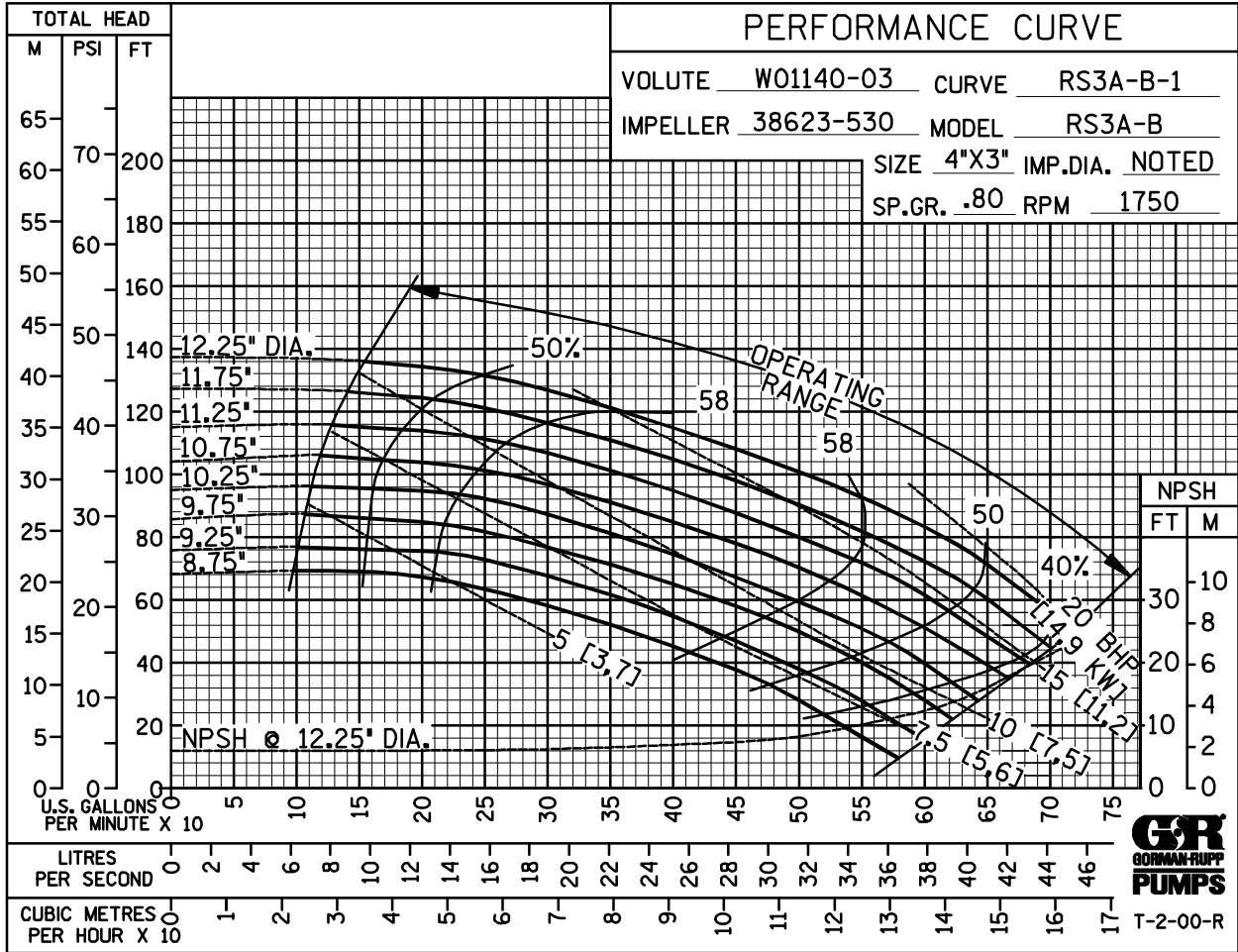
PERFORMANCE CURVE

The performance curve on the following page is based on 70°F (21°C) clear water at sea level, corrected to 0.80 specific gravity, with minimum suction lift. Since pump installations are seldom identical, your performance may be different due to such factors as viscosity, specific gravity, elevation, temperature, and impeller trim.

If your pump serial number is followed by an "N", your pump is **NOT** a standard production model. Contact the Gorman-Rupp Company to verify performance or part numbers.



Pump speed and operating condition points must be within the continuous performance range shown on the curve(s).

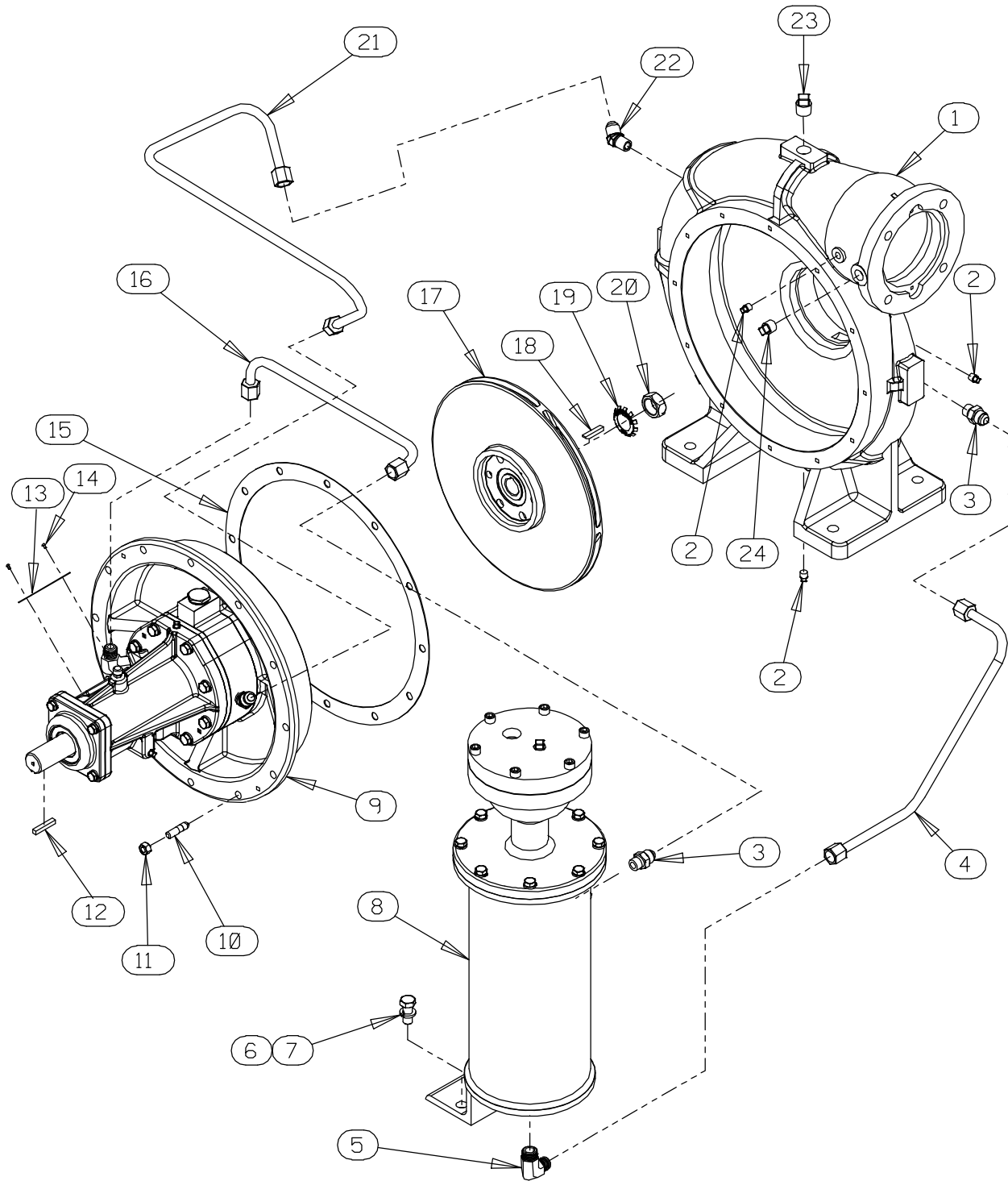


Performance Curve – Model RS3A31 –BAR

This Page Intentionally Blank

RS3A31-BAR

S/N 1610523 Up
PUMP ISSUE 3



GORMAN-RUPP PUMPS

www.grpumps.com

©2015 Gorman-Rupp Pumps

Printed in U.S.A.

RS3A31 – BAR

S/N 1610523 Up
PUMP ISSUE 3

PARTS LIST Pump Model RS3A31 – BAR

If your pump serial number is followed by an "N", your pump is **NOT** a standard production model. Contact the Gorman-Rupp Company to verify part numbers.

ITEM NO.	PART NAME	PART NUMBER	QTY	ITEM NO.	PART NAME	PART NUMBER	QTY
1	PUMP CASING	SEE NOTE BELOW	1	19	LOCK WASHER	23962–519	1
2	PIPE PLUG	P02 15079	3	20	IMPELLER NUT	K75776 15111	1
3	CONNECTOR	25812–214	2	21	PRIMING TUBE	46335–085	1
4	RETURN TUBE ASSY	46335–075	1	22	MALE ELBOW	25812–161	1
5	MALE ELBOW	25812–011	1	23	PIPE PLUG	P08 15079	1
6	HEX HEAD CAP SCREW	B0805 15991	2	24	PIPE PLUG	P06 15079	1
7	LOCK WASHER	J08 15991	2	NOT SHOWN:			
8	AIR REL VALVE ASSY	GRP33–08A	1	*	CHK VALVE BODY GSKT	11589GA 19060	1
9	BEARING HSG ASSY	44143–041	1	*	SUCT COVER GASKET	N14147 19060	1
10	STUD	C0606 15991	12		G-R DECAL	GR–03	1
11	HEX NUT	D06 15991	12		SUCTION STICKER	6588AG	1
12	DRIVE KEY	N0406 15990	1		ROTATION DECAL	2613M	1
13	NAMEPLATE	2613DZ 13990	1		LUBRICATION DECAL	38816–081	1
14	DRIVE SCREW	BM#04–03 17000	2		INSTRUCTION TAG	38817–011	1
15	BODY COVER GASKET	N14146 19060	1		DISCHARGE STICKER	6588BJ	1
16	DISCHARGE TUBE ASSY	46335–074	1		BEARING TAG	6588ABB	1
17	IMPELLER	38623–530 13048	1	OPTIONAL:			
18	IMPELLER KEY	N0403 15990	1		COMPANION FLANGE KIT (SUCT AND DISCHARGE)	K33850	1

* INDICATES PARTS RECOMMENDED FOR STOCK

† ALL ROTO-PRIME[®] IMPELLERS ARE TRIMMED AND INCLUDE WEAR RINGS AND GROOVE PINS.
WEAR RINGS ARE NOT SOLD SEPARATELY.

● SEE ACCOMPANYING LITERATURE FOR INDIVIDUAL PARTS,
MAINTENANCE AND REPAIR.

☞ INCLUDED WITH REPAIR 46474–334 1
PUMP CASING ASSY

GORMAN-RUPP PUMPS

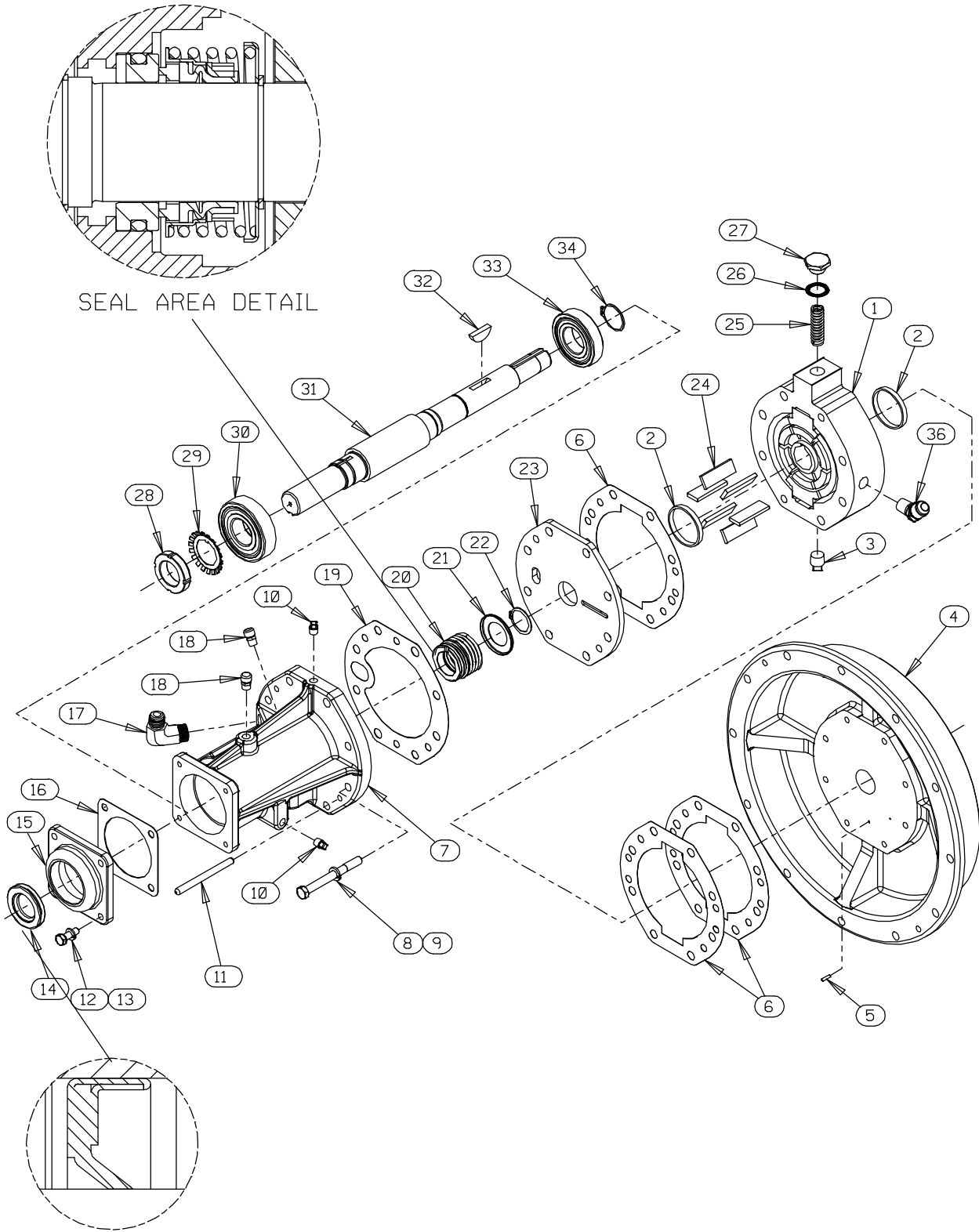
www.grpumps.com

©2015 Gorman-Rupp Pumps

Printed in U.S.A.

RS3A31-BAR

S/N 1610523 Up
PUMP ISSUE 3



GORMAN-RUPP PUMPS

www.grpumps.com

©2015 Gorman-Rupp Pumps

Printed in U.S.A.

RS3A31—BAR

S/N 1610523 Up
PUMP ISSUE 3

PARTS LIST 44143—041 Bearing Housing Assembly

ITEM NO.	PART NAME	PART NUMBER	QTY	ITEM NO.	PART NAME	PART NUMBER	QTY
1	GROUP GRIND	42212—012	1	24 *	ROTOR BLADE	K79300—21	6
2	BLADE SPACER	K74031 15030	2	25	PRESS REG SPRING	K74119	1
3	PIPE PLUG	P06 15079	1	26 *	RING GASKET	K86067	1
4	BODY COVER L.H.	T02985B—01 11010	1	27	SPRING CAP	K68064 15991	1
5 *	LOCATING PIN	21154—666	1	28	BEARING LOCK NUT	S301	1
† 6 *	CENTER PLATE GSKT	N14145 18010	3	29	LOCK WASHER	S302	1
7	BEARING HOUSING	T02990 11010	1	30 *	BALL BEARING	23282—008	1
8	LOCK WASHER	J06 15991	8	31 *	IMPELLER SHAFT	R10123 15010	1
9	HEX HEAD CAP SCREW	B0615 15991	8	32 *	WOODRUFF KEY	K74041 15590	1
10	PIPE PLUG	P02 15079	2	33 *	BALL BEARING	23257—012	1
11	DOWEL PIN	21133—076	2	34	SNAP RING	S248	1
12	LOCK WASHER	J05 15991	4	35	MALE ELBOW	25812—161	1
13	HEX HEAD CAP SCREW	B0504 15991	4		OPTIONAL:		
14 *	OIL SEAL	25227—230	1		SST IMPELLER SHAFT	R10769 17080	1
15	BEARING HOUSING CAP	N14130 10010	1		TEFLON SEAL ASSY	25271—743	1
16 *	BRG HSG CAP GSKT	K74033 18000	1	●	OIL LUBE BEARING HOUSING ASSEMBLY	44143—103	1
17	MALE ELBOW	25812—011	1		—INBOARD BEARING	S310	1
18	AIR VENT	S2162	2		—OUTBOARD BEARING	23275—008	1
19 *	SPACER PLATE GSKT	N14144 18000	1		—OIL CUP	26713—051	1
20 *	MECH SEAL 1—1/4	25271—192	1		GROUP GRIND WITH	LK05267	1
21	SPRING HOLDER	25273—266	1		C.I. ROTOR		
22	SNAP RING	S700	1				
23	SPACER PLATE	N14129 11010	1				

* INDICATES PARTS RECOMMENDED FOR STOCK

† 2 GASKETS REQUIRED ON ONE FACE ONLY WHEN ROTOR OR SLIDE IS THICKER THAN CENTER PLATE.

● ALL OTHER COMPONENTS SAME AS STANDARD BEARING HOUSING ASSEMBLY.

GORMAN-RUPP PUMPS

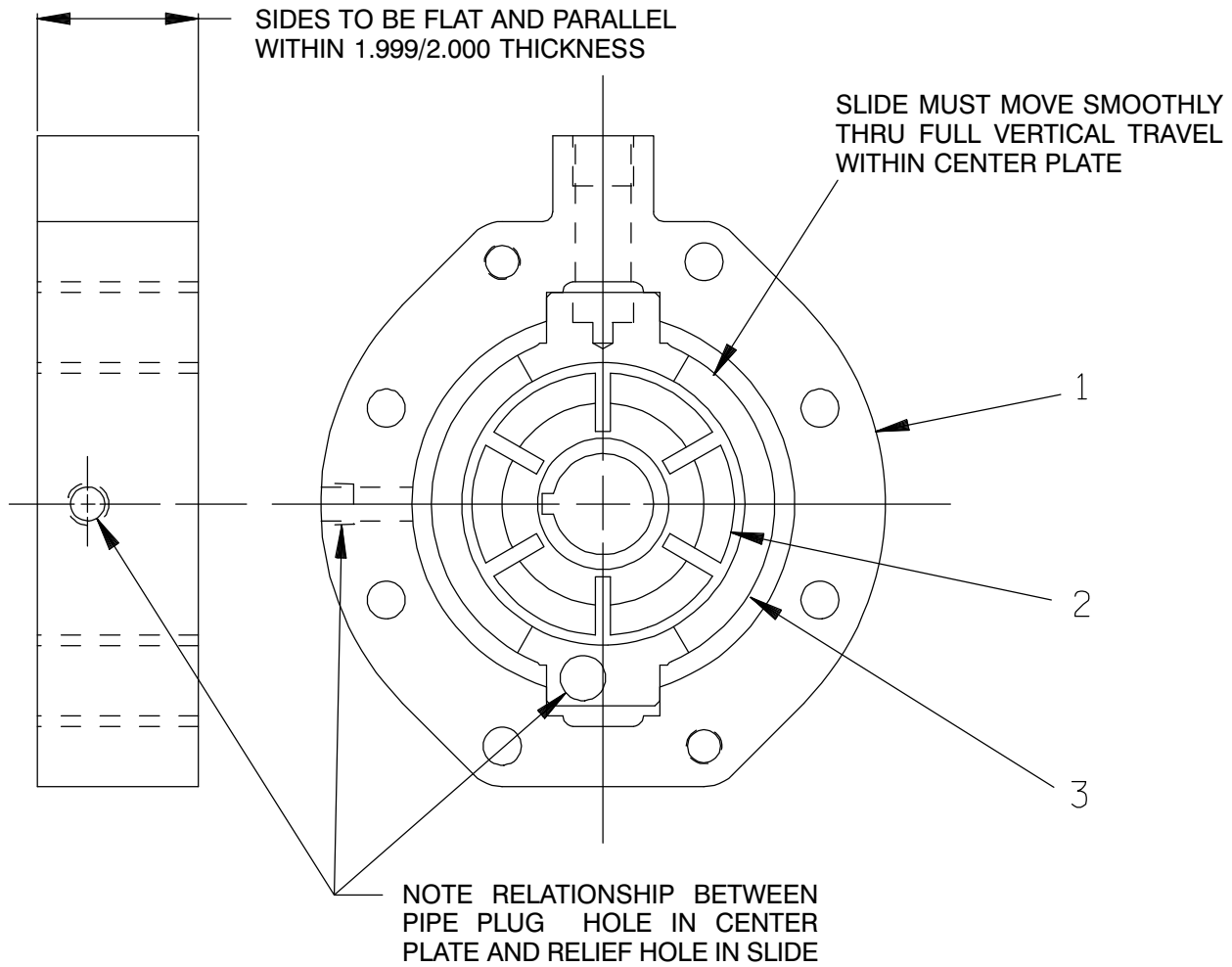
www.grpumps.com

©2015 Gorman-Rupp Pumps

Printed in U.S.A.

RS3A31-BAR

S/N 1610523 Up
PUMP ISSUE 3



PARTS LIST 42212-012 Group Grind

ITEM NO.	PART NAME	PART NUMBER	QTY
1	CENTER PLATE	NOT AVAILABLE	1
2	ROTOR	NOT AVAILABLE	1
3	SLIDE	NOT AVAILABLE	1

NOTE: THE GROUP GRIND MUST BE REPLACED AS A COMPLETE UNIT: INDIVIDUAL PIECE PARTS ARE NOT SOLD SEPARATELY.

GORMAN-RUPP PUMPS

www.grpumps.com

©2015 Gorman-Rupp Pumps

Printed in U.S.A.

**For Warranty Information, Please Visit
www.grpumps.com/warranty
or call:
U.S.: 419-755-1280
Canada: 519-631-2870
International: +1-419-755-1352**

GORMAN-RUPP PUMPS