

Use With: OM-03989  
MR-03991

PUBLICATION NUMBER  
PL-04076-02  
May 24, 1999  
Rev. C 11-6-2023



**PUMP MODEL**  
**RS3A31-B**

**MANUAL**  
**PART 2 of 3**

**PARTS**  
**LIST**  
**WITH**  
**PERFORMANCE CURVE**

**THE GORMAN-RUPP COMPANY • MANSFIELD, OHIO**

[www.grpumps.com](http://www.grpumps.com)

**GORMAN-RUPP OF CANADA LIMITED • ST. THOMAS, ONTARIO, CANADA**

Printed in U.S.A.

© Copyright by the Gorman-Rupp Company

Register your new  
Gorman-Rupp pump online at  
**[www.grpumps.com](http://www.grpumps.com)**

Valid serial number and e-mail address required.

**RECORD YOUR PUMP MODEL AND SERIAL NUMBER**

Please record your pump model and serial number in the spaces provided below. Your Gorman-Rupp distributor needs this information when you require parts or service.

Pump Model: \_\_\_\_\_  
Serial Number: \_\_\_\_\_

## PERFORMANCE CURVE – SECTION A

### RECORDING MODEL AND SERIAL NUMBERS

Please record the pump model and serial number in the spaces provided below and in the separate Installation/Operation Manual accompanying your pump. Your Gorman-Rupp distributor needs this information when you require parts or service.

Pump Model: \_\_\_\_\_

Serial Number: \_\_\_\_\_

### WARRANTY INFORMATION

The pump warranty is provided as part of Gorman-Rupp's support program for customers who operate and maintain their equipment as described in this manual and other accompanying literature. Please note that should the equipment be abused or modified to change its performance beyond the original factory specifications, the warranty will become void and any claim will be denied.

### PERFORMANCE CURVES

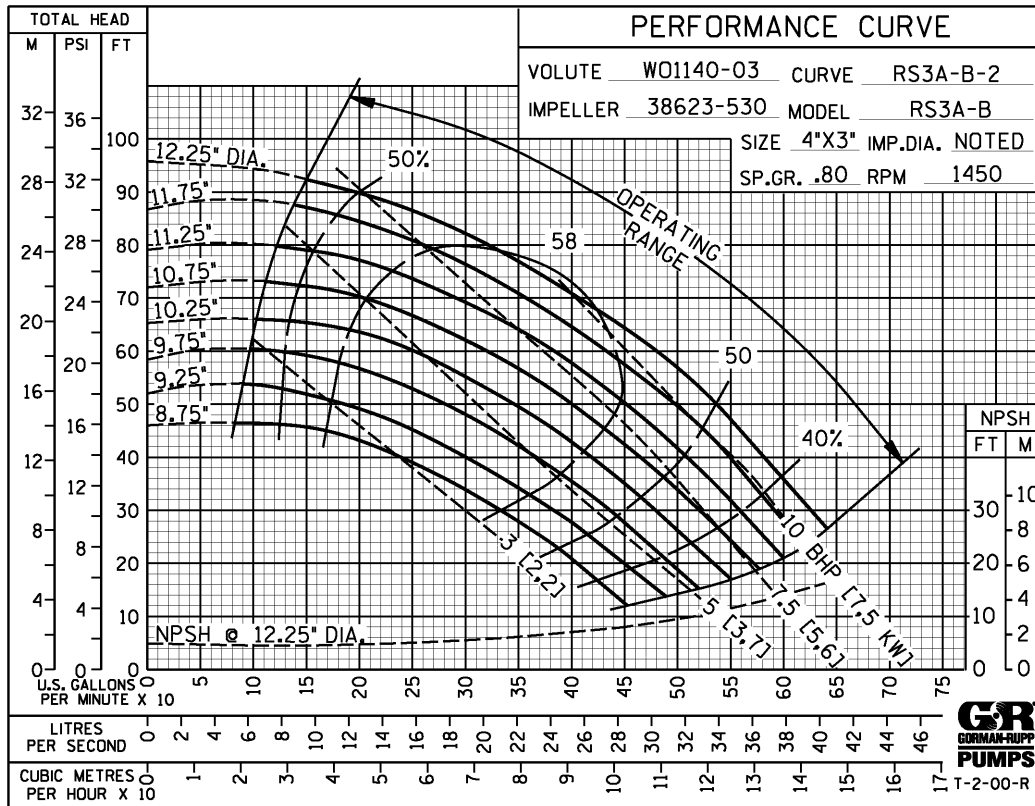
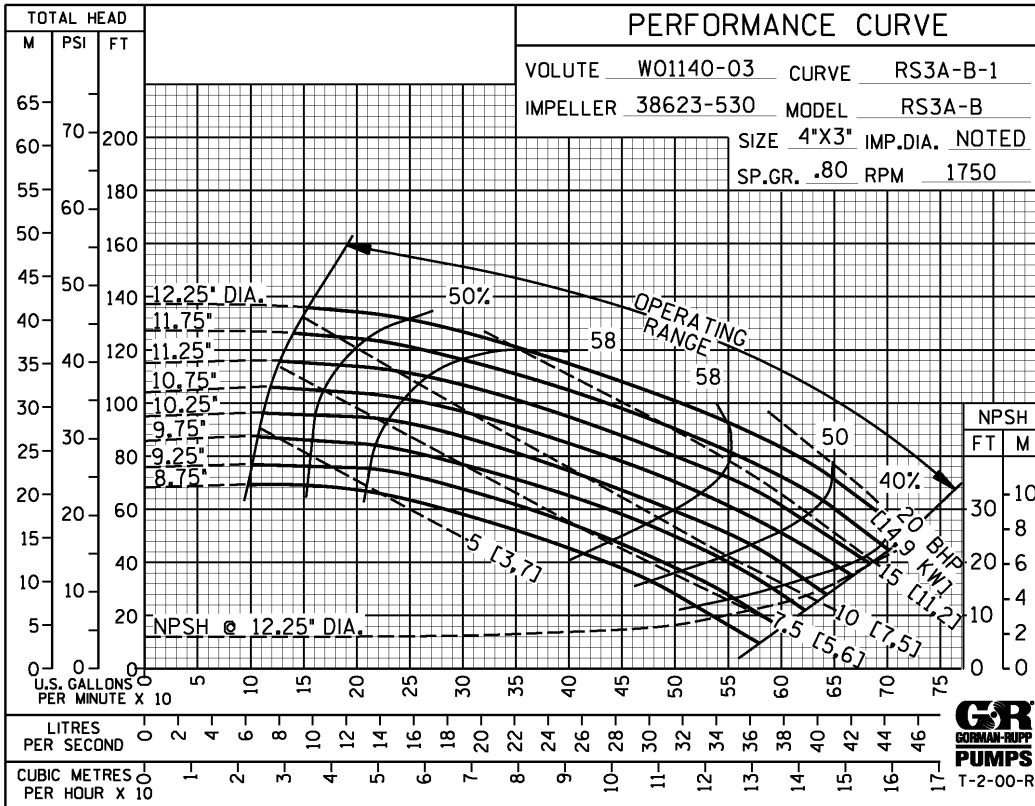
The performance curves on the following page are based on 70° F (21° C) clear water at sea level, corrected to 0.80 specific gravity, with minimum suction lift. Since pump installations are seldom identical, your performance may be different due to such factors as viscosity, specific gravity, elevation, temperature, and impeller trim.

If your pump serial number is followed by an "N", your pump is **NOT** a standard production model. Contact the Gorman-Rupp Company to verify performance or part numbers.

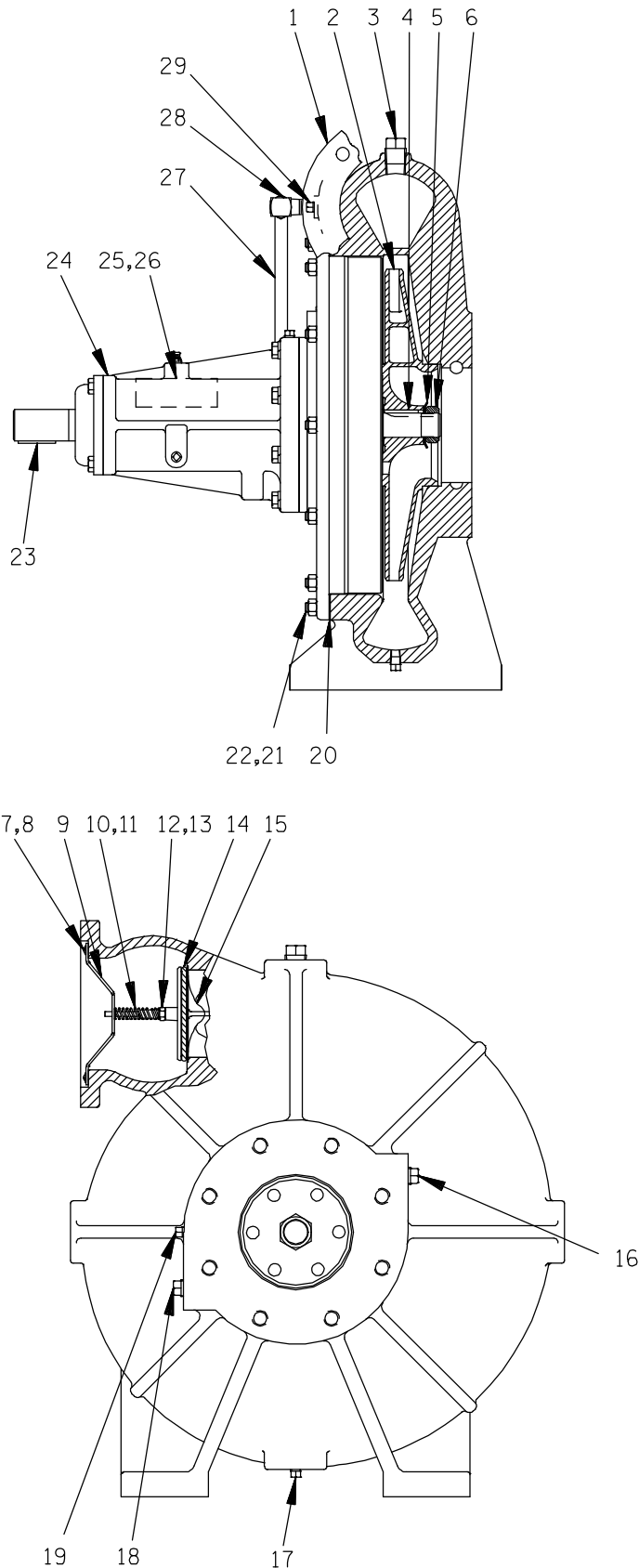


Pump speed and operating condition points must be within the continuous performance range shown on the curve(s).

**This Page Intentionally Blank**



Performance Curve – Model RS3A31-B



**THE GORMAN-RUPP COMPANY • MANSFIELD, OHIO**

GORMAN-RUPP OF CANADA LIMITED • ST. THOMAS, ONTARIO, CANADA

Printed in U.S.A.

# RS3A31—B

B

S/N 1189310N Up  
PUMP ISSUE 2

## PARTS LIST Pump Model RS3A31—B

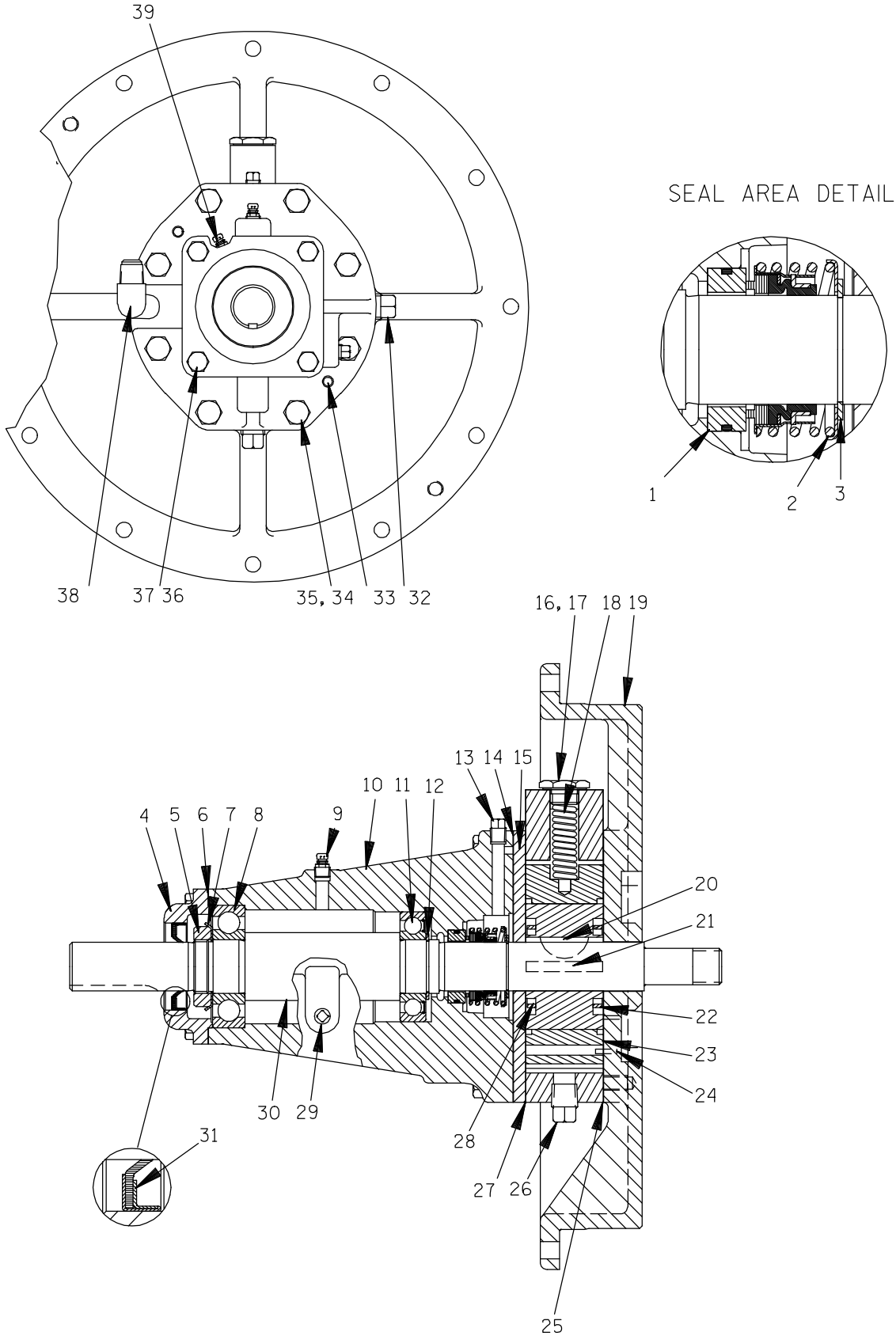
If your pump serial number is followed by an "N", your pump is **NOT** a standard production model. Contact the Gorman-Rupp Company to verify part numbers.

ITEM NO.	PART NAME	PART NUMBER	MAT'L CODE	QTY	ITEM NO.	PART NAME	PART NUMBER	MAT'L CODE	QTY
1	PUMP CASING	W01140-03	11010	1	23 *	SHAFT KEY	N0406	15990	1
2 *	IMPELLER	38623-530	13048	1	24	BRG HOUSING ASSY	44143-042	----	1
3	PIPE PLUG	P08	15079	1	25	NAME PLATE	2613DZ	13990	1
4 *	IMPELLER KEY	N0403	15990	1	26	DRIVE SCREW	BM#04-03	17000	2
5	BRG LOCKWASHER	23962-506	----	1	27	PRIMING TUBE ASSY	46335-060	----	1
6	IMPELLER NUT	K75776	15111	1	28	MALE ELBOW	25812-011	----	1
7	SCREW	CM0401-1/2	15991	2	29	PIPE PLUG	P02	15079	1
8	T-TYPE LOCKWASHER	AL04	17170	2	NOT SHOWN:				
9	CHECK VALVE GUIDE	K74025	15991	1	* SUCT FLANGE GASKET	N14147	19060	1	
10	CHECK VALVE SPRING	K74062	----	1	* DISCH FLANGE GASKET	11589GA	19060	1	
11	CHECK VALVE STEM	K74008	15991	1	SUCTION STICKER	6588AG	----	1	
12	HEX NUT	D04	15991	1	LUBE DECAL	38816-081	----	1	
13	T-TYPE LOCKWASHER	AL04	17170	1	INSTRUCTION TAG	38817-011	----	1	
14 *	CHECK VALVE O-RING	25152-335	----	1	DISCHARGE STICKER	6588BJ	----	1	
15	DISCHARGE VALVE	38345-628	13047	1	G-R DECAL	GR-03	----	1	
16	PIPE PLUG	P06	15079	1	ROTATION DECAL	2613M	----	1	
17	PIPE PLUG	P02	15079	1	BEARING TAG	6588ABB	----	1	
18	PIPE PLUG	P06	15079	1	OPTIONAL:				
19	PIPE PLUG	P02	15079	1	SUCT/DISCH FLANGES	K33850	----	1	
20 *	PUMP CASING GASKET	N14146	19060	1	BRONZE IMPELLER	T06235-22	14150	1	
21	STUD	C0606	15991	12					
22	HEX NUT	D06	15991	12					

\* INDICATES PARTS RECOMMENDED FOR STOCK

† ALL ROTO-PRIME<sup>™</sup> IMPELLERS ARE TRIMMED.

**THE GORMAN-RUPP COMPANY • MANSFIELD, OHIO**





S/N 1189310N Up  
PUMP ISSUE 2

**PARTS LIST**  
**44143—042 Bearing Housing Assembly**

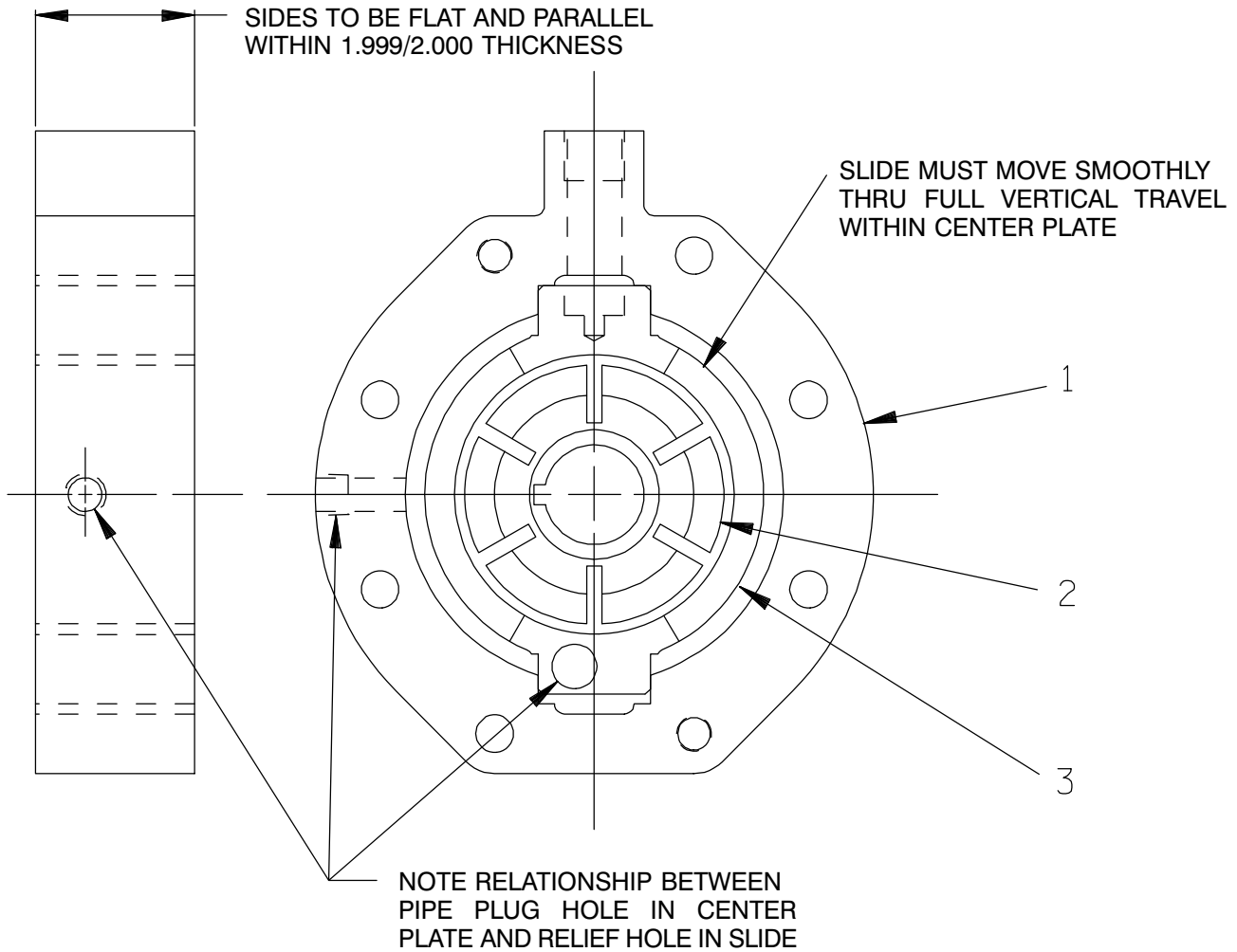
ITEM NO.	PART NAME	PART NUMBER	MAT'L CODE	QTY	ITEM NO.	PART NAME	PART NUMBER	MAT'L CODE	QTY
1 *	SEAL ASSEMBLY	25271—192	----	1	26	PIPE PLUG	P06	15079	1
2	SPRING HOLDER	25273—266	----	1	27 *	CENTER PLATE GASKET	N14145	18010	1
3	SEAL SNAP RING	S700	----	1	28	ROTOR BLADE SPACER	K74031	15030	1
4	BEARING CAP	N14130	10010	1	29	PIPE PLUG	P02	15079	1
5	BEARING LOCK NUT	S301	----	1	30 *	IMPELLER SHAFT	R10123	15010	1
6 *	BEARING CAP GASKET	K74033	18000	1	31 *	OIL SEAL	25227—230	----	1
7	TAB WASHER	S302	----	1	32	PIPE PLUG	P06	15079	1
8 *	OUTBOARD BEARING	23282—008	----	1	33	DOWEL PIN	21133—076	----	2
9	AIR VENT	S2162	----	1	34	HEX HD CAPSCREW	B0615	15991	8
10	BEARING HOUSING	T02990	11010	1	35	LOCKWASHER	J06	15991	8
11 *	BALL BEARING	23257—012	----	1	36	HEX HD CAPSCREW	B0504	15991	4
12	BEARING RET RING	S248	----	1	37	LOCKWASHER	J05	15991	4
13	PIPE PLUG	P02	15079	1	38	MALE ELBOW	25812—011	----	1
14 *	SPACER PLATE GASKET	N14144	18000	1	39	AIR VENT	S2162	----	1
15	SPACER PLATE	N14129	11010	1		OPTIONAL:			
16	PRESS REG SPRING CAP	K68064	15991	1		SST IMPELLER SHAFT	R10769	17080	1
17 *	SPRING CAP GASKET	K86067	----	1		TEFLON SEAL ASSY	25271—743	----	1
18 *	PRESS REG SPRING	K74120	----	1		● OIL LUBE BEARING	44143—095	----	1
19	BODY COVER	T02985A—01	11010	1		HOUSING ASSEMBLY			
20 *	ROTOR WOODRUFF KEY	K74041	15990	1		--INBOARD BEARING	S310	----	1
21 *	ROTOR BLADE	K79300—21	----	6		--OUTBOARD BEARING	23275—008	----	1
22	ROTOR BLADE SPACER	K74031	15030	1		--OIL CUP	26713—051	----	1
23	GROUP GRIND	42212—012	----	1		GROUP GRIND WITH	LK05267	----	1
24 *	LOCATING PIN	21154—666	----	1		C.I. ROTOR			
25 †	CENTER PLATE GASKET	N14145	18010	2					

\* INDICATES PARTS RECOMMENDED FOR STOCK

† 2 GASKETS REQUIRED WHEN ROTOR OR SLIDE IS THICKER THAN CENTER PLATE.

● ALL OTHER COMPONENTS SAME AS STANDARD BEARING HOUSING ASSEMBLY.

**THE GORMAN-RUPP COMPANY ● MANSFIELD, OHIO**



**PARTS LIST**  
**42212-012 Group Grind**

ITEM NO.	PART NAME	PART NUMBER	MAT'L CODE	QTY
1	CENTER PLATE	NOT AVAILABLE	---	1
2	ROTOR	NOT AVAILABLE	---	1
3	SLIDE	NOT AVAILABLE	---	1

**NOTE:** THE GROUP GRIND MUST BE REPLACED AS A COMPLETE UNIT: INDIVIDUAL PIECE PARTS ARE NOT SOLD SEPARATELY.

**THE GORMAN-RUPP COMPANY • MANSFIELD, OHIO**

GORMAN-RUPP OF CANADA LIMITED • ST. THOMAS, ONTARIO, CANADA

Printed in U.S.A.

**For Warranty Information, Please Visit  
[www.grpumps.com/warranty](http://www.grpumps.com/warranty)  
or call:  
U.S.: 419-755-1280  
Canada: 519-631-2870  
International: +1-419-755-1352**

**GORMAN-RUPP PUMPS**