



**PUMP MODEL  
RD2A31-BAR**

**MANUAL  
PART 2 of 3**

**PARTS  
LIST  
WITH  
PERFORMANCE CURVE**

**GORMAN-RUPP PUMPS**

[www.grpumps.com](http://www.grpumps.com)

Register your new  
Gorman-Rupp pump online at  
**[www.grpumps.com](http://www.grpumps.com)**

Valid serial number and e-mail address required.

**RECORD YOUR PUMP MODEL AND SERIAL NUMBER**

Please record your pump model and serial number in the spaces provided below. Your Gorman-Rupp distributor needs this information when you require parts or service.

Pump Model: \_\_\_\_\_  
Serial Number: \_\_\_\_\_

## PERFORMANCE CURVE – SECTION A

### RECORDING MODEL AND SERIAL NUMBERS

Please record the pump model and serial number in the spaces provided below and in the separate Installation/Operation Manual accompanying your pump. Your Gorman-Rupp distributor needs this information when you require parts or service.

Pump Model: \_\_\_\_\_

Serial Number: \_\_\_\_\_

### WARRANTY INFORMATION

The pump warranty is provided as part of Gorman-Rupp's support program for customers who operate and maintain their equipment as described in this manual and other accompanying literature. Please note that should the equipment be abused or modified to change its performance beyond the original factory specifications, the warranty will become void and any claim will be denied. For warranty information, please visit [www.grpumps.com/warranty](http://www.grpumps.com/warranty).

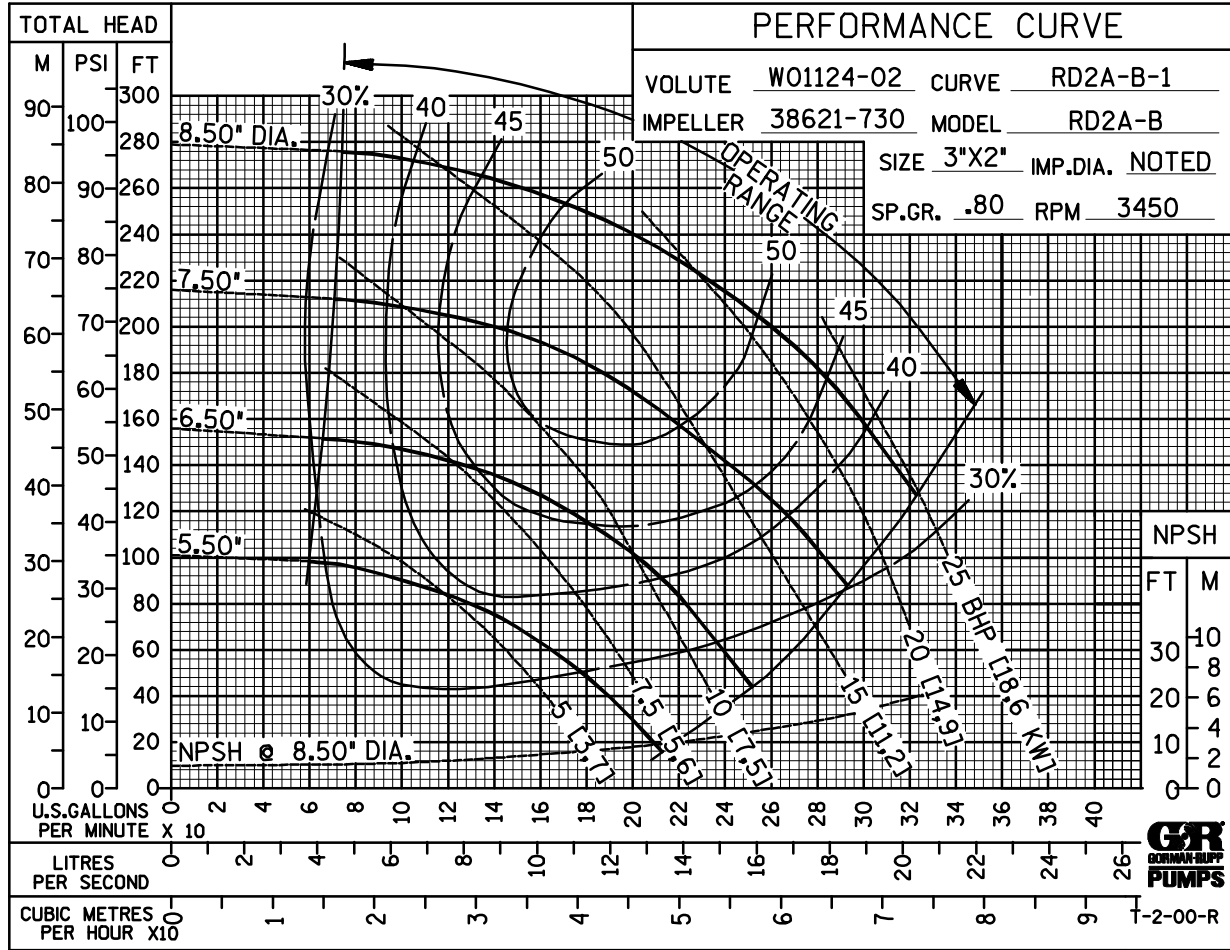
### PERFORMANCE CURVE

The performance curve on the following page is based on 70°F (21°C) clear water at sea level, corrected to 0.80 specific gravity, with minimum suction lift. Since pump installations are seldom identical, your performance may be different due to such factors as viscosity, specific gravity, elevation, temperature, and impeller trim.

If your pump serial number is followed by an "N", your pump is **NOT** a standard production model. Contact the Gorman-Rupp Company to verify performance or part numbers.



Pump speed and operating condition points must be within the continuous performance range shown on the curve(s).

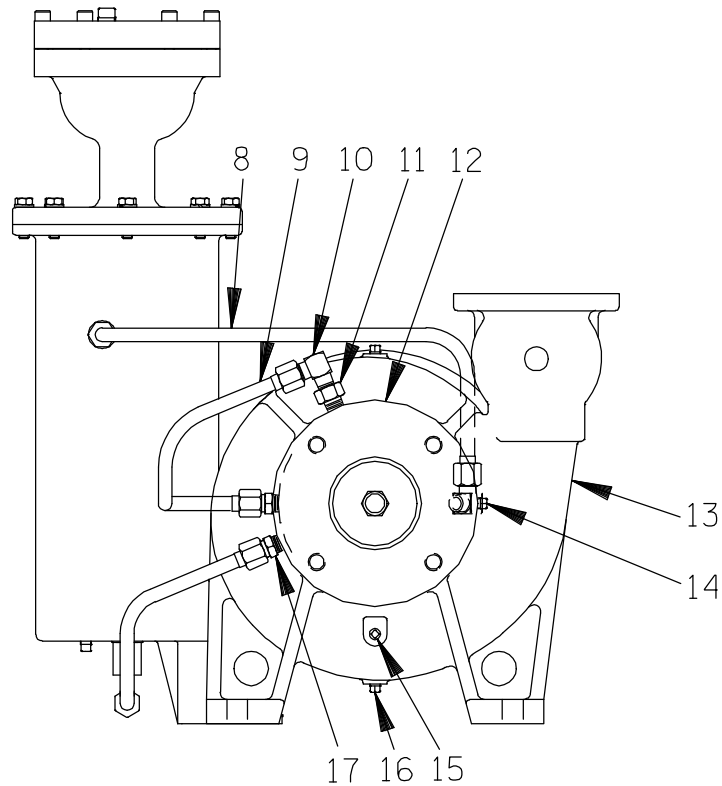
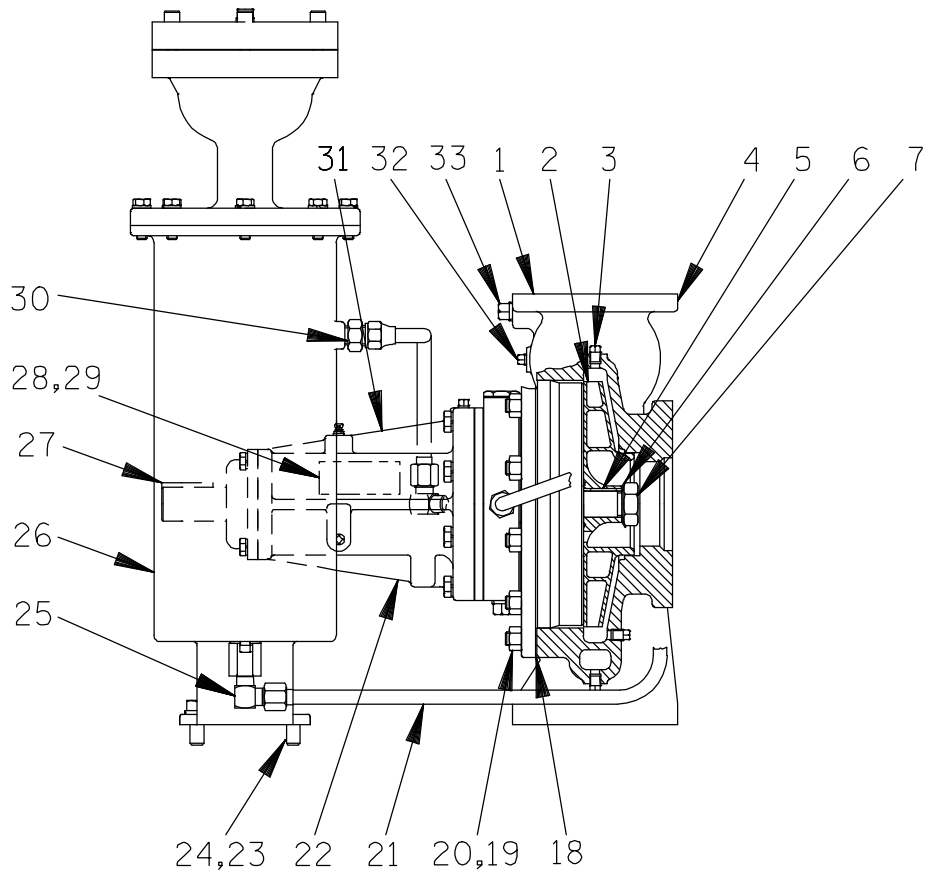


Performance Curve – Model RD2A31–BAR

**This Page Intentionally Blank**

# RD2A31-BAR

S/N 1752846 Up  
PUMP ISSUE 3



**GORMAN-RUPP PUMPS**

[www.grpumps.com](http://www.grpumps.com)

©2015 Gorman-Rupp Pumps

Printed in U.S.A.

# RD2A31—BAR

S/N 1752846 Up  
PUMP ISSUE 3

## PARTS LIST Pump Model RD2A31—BAR

If your pump serial number is followed by an "N", your pump is **NOT** a standard production model. Contact the Gorman-Rupp Company to verify part numbers.

ITEM NO.	PART NAME	PART NUMBER	QTY	ITEM NO.	PART NAME	PART NUMBER	QTY
1	PUMP CASING	SEE NOTE BELOW	1	22	BRG HOUSING ASSY	44143—101	1
2 *	IMPELLER	38621—730 13048	1	23	HEX HD CAPSCREW	B0805 15991	2
3	PIPE PLUG	P02 15079	1	24	LOCKWASHER	J08 15991	2
4	DISCHARGE STICKER	6588BJ	1	25	MALE ELBOW	25812—011	1
5 *	IMPELLER KEY	K79328—23 15990	1	26 ●	AIR RELEASE VALVE	GRP33—08A	1
6	LOCKWASHER	23962—506	1	27 *	SHAFT KEY	N0406 15990	1
7	IMPELLER NUT	K75775 15111	1	28	NAME PLATE	2613DZ 13990	1
8	DISCH TUBE ASSY	46335—057	1	29	DRIVE SCREW	BM#04—03 17000	2
9	SUCT TUBE ASSY	46335—072	1	30	CONNECTOR	25812—214	1
10	MALE ELBOW	25812—011	1	31	LUBE DECAL	38816—081	1
11	STRAINER	26841—094	1	32	PIPE PLUG	P02 15079	1
12	SUCTION STICKER	6588AG	1	33	PIPE PLUG	P06 15079	1
13	G-R DECAL	GR—03	1	NOT SHOWN:			
14	PIPE PLUG	P02 15079	1		DISCH CHK VALVE GSKT	11589GA 19060	1
15	PIPE PLUG	P02 15079	1		DISCH FLANGE GASKET	N14226 19060	1
16	PIPE PLUG	P02 15079	1		INSTRUCTION TAG	38817—011	1
17	CONNECTOR	25812—214	1		ROTATION DECAL	2613M	1
18 *	PUMP CASING GASKET	R12531 19060	1	OPTIONAL:			
19	STUD	15991	12		COMPANION FLANGE KIT (SUCT AND DISCH)		
20	HEX NUT	D08 15991	12			K33849	1
21	RETURN TUBE	46335—083	1		STEEL TUBING KIT	48263—502	1

\* INDICATES PARTS RECOMMENDED FOR STOCK

† ALL ROTO-PRIME<sup>®</sup> IMPELLERS ARE TRIMMED.

● SEE ACCOMPANYING LITERATURE FOR INDIVIDUAL PARTS, MAINTENANCE AND REPAIR.

☞ INCLUDED WITH REPAIR 46474—339 1  
PUMP CASING ASSY

### GORMAN-RUPP PUMPS

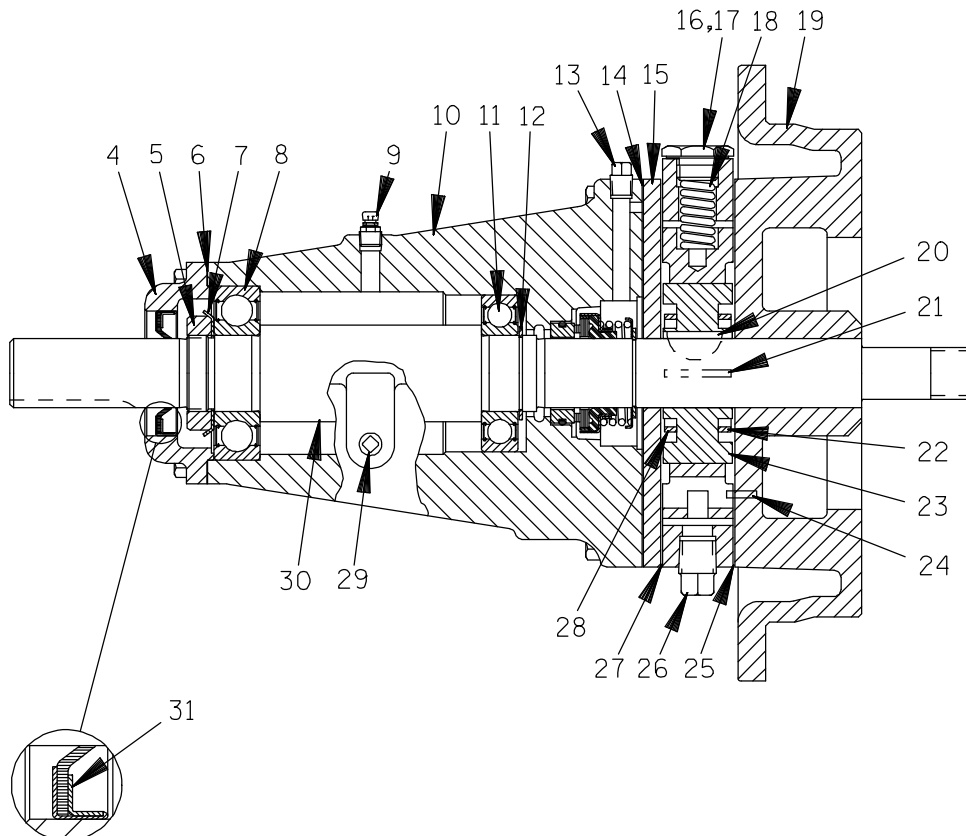
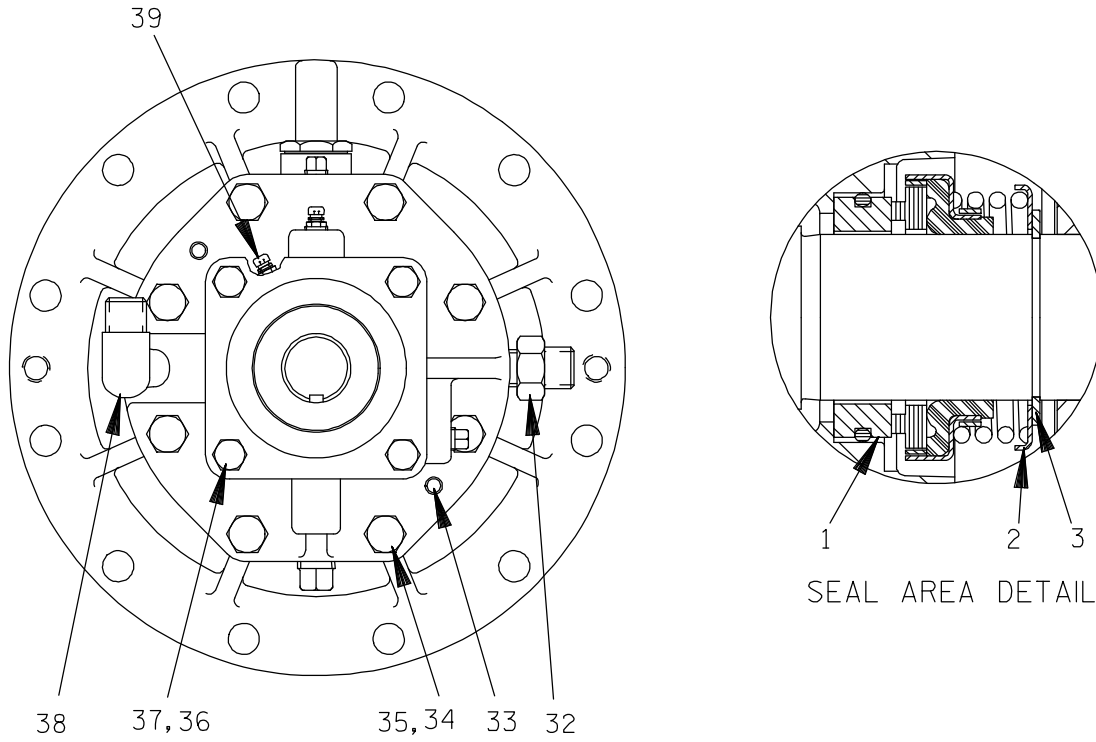
www.grpumps.com

©2015 Gorman-Rupp Pumps

Printed in U.S.A.

# RD2A31-BAR

S/N 1752846 Up  
PUMP ISSUE 3



## GORMAN-RUPP PUMPS

[www.grpumps.com](http://www.grpumps.com)

©2015 Gorman-Rupp Pumps

Printed in U.S.A.



# RD2A31—BAR

S/N 1752846 Up  
PUMP ISSUE 3

## PARTS LIST 44143—101 Bearing Housing Assembly

ITEM NO.	PART NAME	PART NUMBER	QTY	ITEM NO.	PART NAME	PART NUMBER	QTY
1 *	SEAL ASSEMBLY	25271—192	1	† 25 *	CENTER PLATE GASKET	N14145 19210	2
2 *	SPRING CTR WASHER	25273—266	1	26	PIPE PLUG	P06 15079	1
3	SEAL RETAINING RING	S700	1	27 *	CENTER PLATE GASKET	N14145 19210	1
4	BEARING CAP	N14130 10010	1	28	BLADE SPACER	K74031 15030	1
5	BEARING LOCK NUT	S301	1	29	PIPE PLUG	P02 15079	1
6 *	BEARING CAP GASKET	K74033 18000	1	30 *	IMPELLER SHAFT	T07888 15010	1
7	TAB WASHER	S302	1	31 *	OIL SEAL	25227—230	1
8 *	OUTBOARD BEARING	23282—008	1	32	CONNECTOR	25812—214	1
9	AIR VENT	S2162	1	33	DOWEL PIN	21133—073	2
10	BEARING HOUSING	T02990 11010	1	34	HEX HD CAPSCREW	B0612 15991	8
11 *	BALL BEARING	23257—012	1	35	LOCKWASHER	J06 15991	8
12	BEARING RET RING	S248	1	36	HEX HD CAPSCREW	B0504 15991	4
13	PIPE PLUG	P02 15079	1	37	LOCKWASHER	J05 15991	4
14 *	SPACER PLATE GASKET	N14144 18000	1	38	MALE ELBOW	25812—011	1
15	SPACER PLATE	N14129 11010	1	39	AIR VENT	S2162	1
16	PRESS REG SPRING CAP	K68064 15991	1	OPTIONAL:			
17 *	SPRING CAP GASKET	K86067	1		SST IMPELLER SHAFT	T07888 17080	1
18 *	PRESS REG SPRING	K76301	1	●	OIL LUBE BEARING	44143—109	1
19	BODY COVER	T07826—02 11010	1		HOUSING ASSEMBLY		
20 *	ROTOR WOODRUFF KEY	K61559 15990	1		—INBOARD BEARING	S310	1
21 *	ROTOR BLADE	K79300—20	6		—OUTBOARD BEARING	23275—008	1
22	ROTOR BLADE SPACER	K74031 15030	1		—OIL CUP	26713—051	1
23	GROUP GRIND	42212—013	1		GROUP GRIND WITH C.I. ROTOR		
24 *	LOCATING PIN	21154—666	1		—C.I. GROUP GRIND	LK05266	1
					TEFLON SEAL	25271—743	1

\* INDICATES PARTS RECOMMENDED FOR STOCK

† 2 GASKETS REQUIRED ON ONE FACE ONLY WHEN ROTOR OR SLIDE IS THICKER THAN CENTER PLATE.

● ALL OTHER COMPONENTS SAME AS STANDARD BEARING HOUSING ASSEMBLY.

### GORMAN-RUPP PUMPS

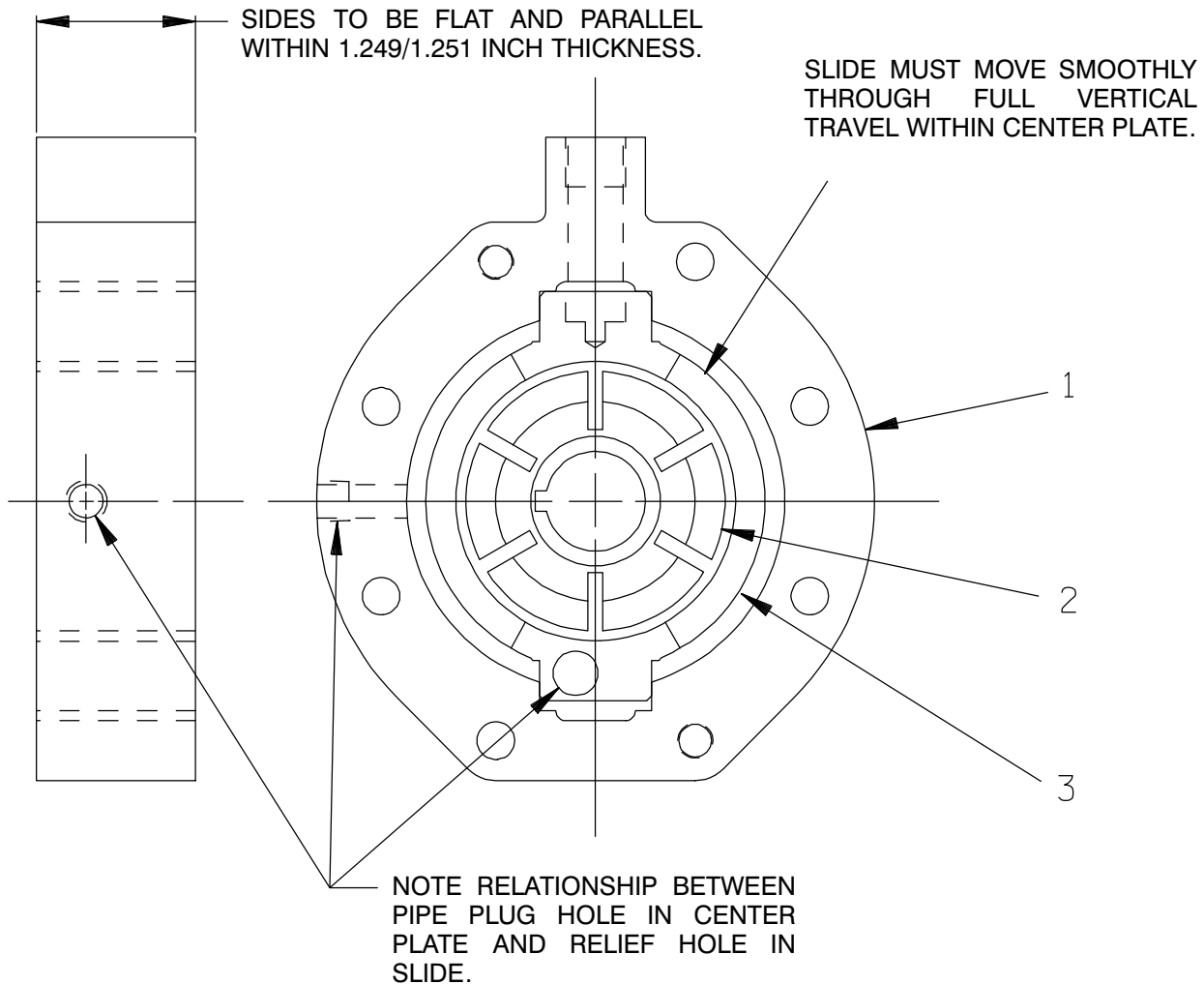
www.grpumps.com

©2015 Gorman-Rupp Pumps

Printed in U.S.A.

# RD2A31-BAR

S/N 1752846 Up  
PUMP ISSUE 3



## PARTS LIST 42212-013 Group Grind

ITEM NO.	PART NAME	PART NUMBER	MAT'L CODE	QTY
1	CENTER PLATE	NOT AVAILABLE	---	1
2	ROTOR	NOT AVAILABLE	---	1
3	SLIDE	NOT AVAILABLE	---	1

**NOTE:** THE GROUP GRIND MUST BE REPLACED AS A COMPLETE UNIT: INDIVIDUAL PIECE PARTS ARE NOT SOLD SEPARATELY.

## GORMAN-RUPP PUMPS

[www.grpumps.com](http://www.grpumps.com)

©2015 Gorman-Rupp Pumps

Printed in U.S.A.

**For Warranty Information, Please Visit  
[www.grpumps.com/warranty](http://www.grpumps.com/warranty)  
or call:  
U.S.: 419-755-1280  
Canada: 519-631-2870  
International: +1-419-755-1352**

**GORMAN-RUPP PUMPS**