

Use With: OM-03989
MR-03991

PUBLICATION NUMBER PL-04016-02
May 17, 1999
Rev. A 12-03-07



PUMP MODEL RD3A31-B

**MANUAL
PART 2 of 3**

**PARTS
LIST
WITH
PERFORMANCE CURVE**

THE GORMAN-RUPP COMPANY • MANSFIELD, OHIO

www.grpumps.com

GORMAN-RUPP OF CANADA LIMITED • ST. THOMAS, ONTARIO, CANADA

Printed in U.S.A.

© Copyright by the Gorman-Rupp Company

Register your new
Gorman-Rupp pump online at
www.grpumps.com

Valid serial number and e-mail address required.

RECORD YOUR PUMP MODEL AND SERIAL NUMBER

Please record your pump model and serial number in the spaces provided below. Your Gorman-Rupp distributor needs this information when you require parts or service.

Pump Model: _____

Serial Number: _____

PERFORMANCE CURVE – SECTION A

RECORDING MODEL AND SERIAL NUMBERS

Please record the pump model and serial number in the spaces provided below and in the separate Installation/Operation Manual accompanying your pump. Your Gorman-Rupp distributor needs this information when you require parts or service.

Pump Model: _____

Serial Number: _____

WARRANTY INFORMATION

The pump warranty is provided as part of Gorman-Rupp's support program for customers who operate and maintain their equipment as described in this manual and other accompanying literature. Please note that should the equipment be abused or modified to change its performance beyond the original factory specifications, the warranty will become void and any claim will be denied.

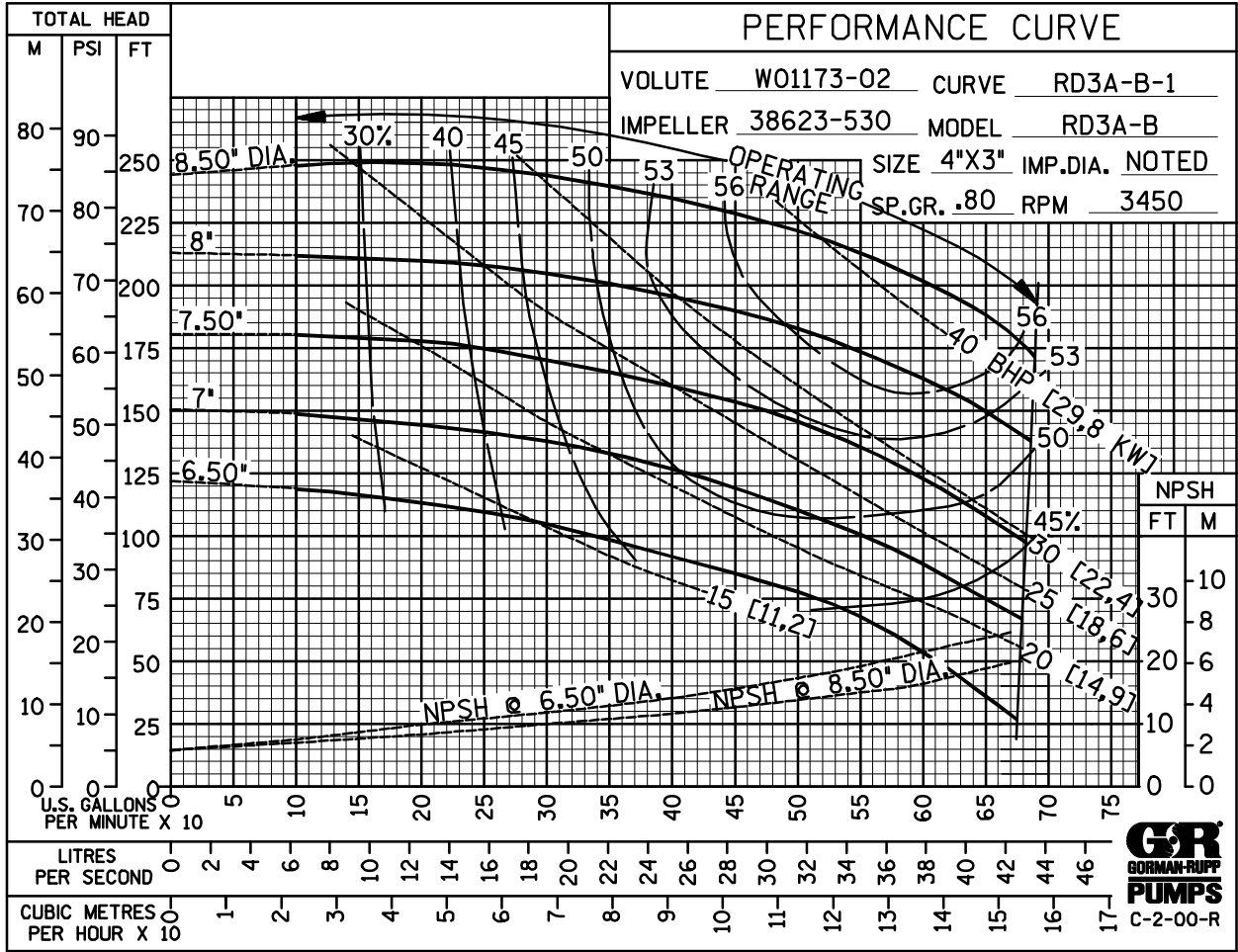
PERFORMANCE CURVE

The performance curve on the following page is based on 70° F (21° C) clear water at sea level, corrected to 0.80 specific gravity, with minimum suction lift. Since pump installations are seldom identical, your performance may be different due to such factors as viscosity, specific gravity, elevation, temperature, and impeller trim.

If your pump serial number is followed by an "N", your pump is **NOT** a standard production model. Contact the Gorman-Rupp Company to verify performance or part numbers.

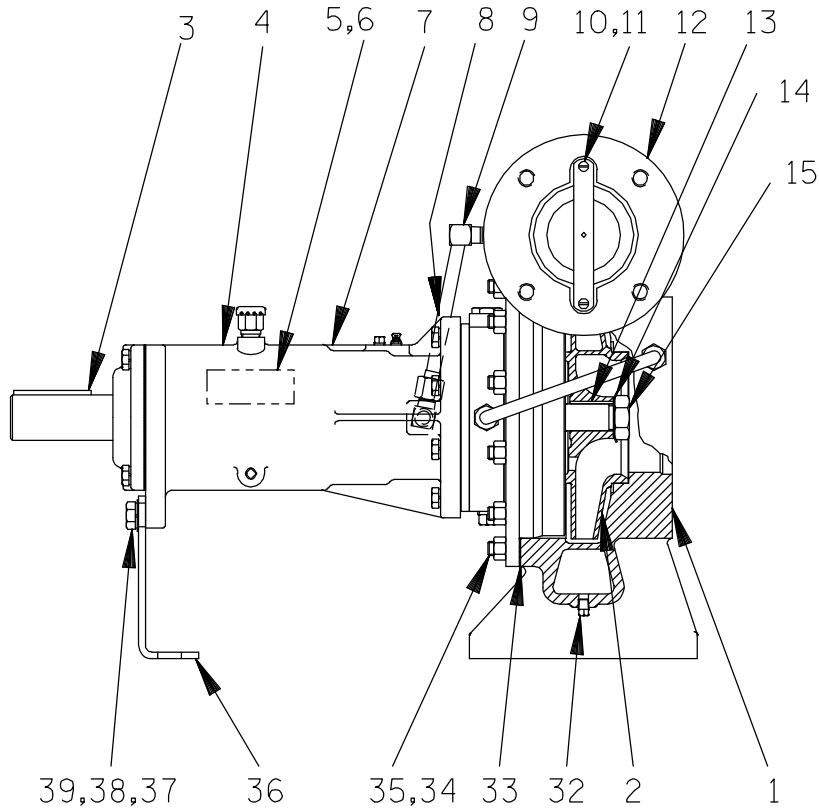
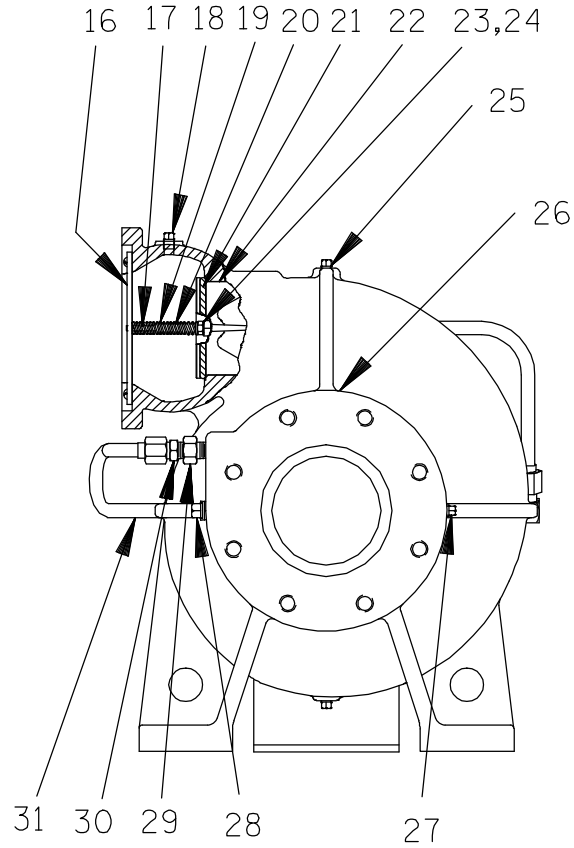


Pump speed and operating condition points must be within the continuous performance range shown on the curve(s).



Performance Curve – Model RD3A31–B

This Page Intentionally Blank



S/N 1212293 Up
PUMP ISSUE 2

PARTS LIST
Pump Model RD3A31-B

If your pump serial number is followed by an "N", your pump is **NOT** a standard production model. Contact the Gorman-Rupp Company to verify part numbers.

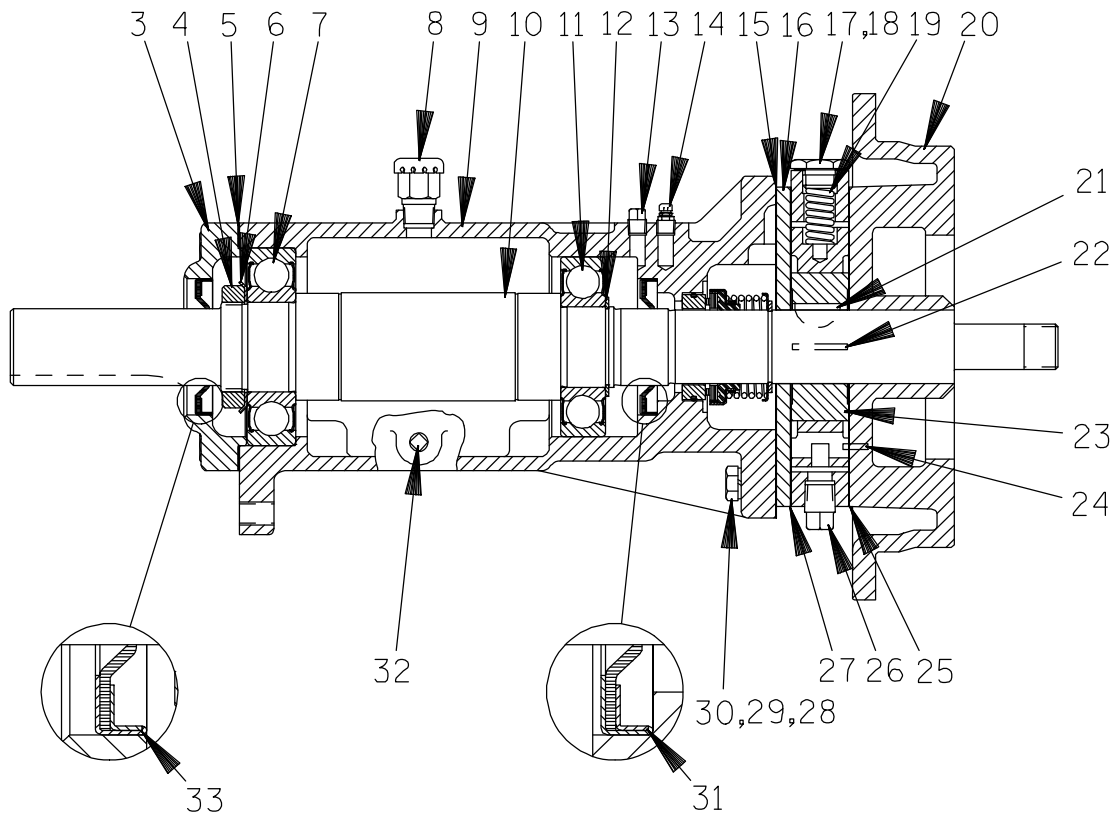
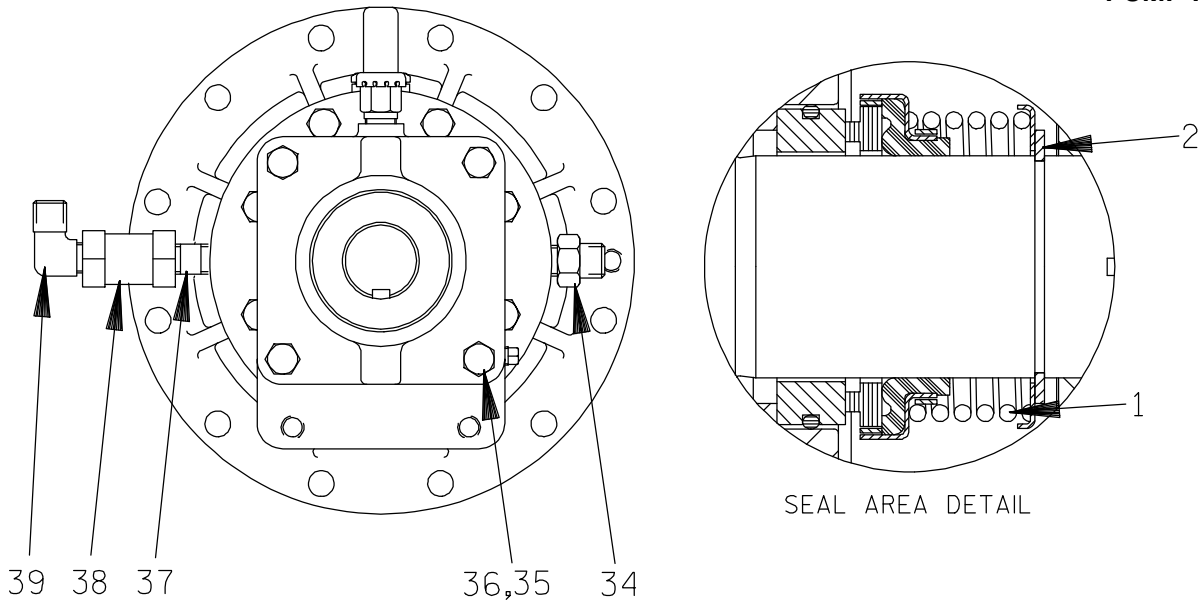
ITEM NO.	PART NAME	PART NUMBER	MAT'L CODE	QTY	ITEM NO.	PART NAME	PART NUMBER	MAT'L CODE	QTY
1	PUMP CASING	W01173-02	11010	1	26	SUCTION STICKER	6588AG	---	1
2 *	IMPELLER	38623-530	13048	1	27	PIPE PLUG	P02	15079	1
3 *	SHAFT KEY	N0611	15990	1	28	PIPE PLUG	P06	15079	1
4	BRG HOUSING ASSY	44143-078	---	1	29	STRAINER	26841-094	---	1
5	NAME PLATE	2613DZ	13990	1	30	CONNECTOR	25812-214	---	1
6	DRIVE SCREW	BM#04-03	17000	2	31	SUCT TUBE ASSY	46335-076	---	1
7	LUBE DECAL	38816-081	---	1	32	PIPE PLUG	P02	15079	1
8	DISCH TUBE ASSY	46335-063	---	1	33 *	PUMP CASING GASKET	R12531	20000	1
9	MALE ELBOW	25812-011	---	1	34	STUD	C0807	15991	12
10	SCREW	21513-314	---	2	35	HEX NUT	D08	15991	12
11	T-TYPE LOCKWASHER	AL04	17170	2	36	BEARING HSG SUPPORT	R12852-01	15990	1
12	DISCHARGE STICKER	6588BJ	---	1	37	HEX HD CAPSCREW	B0805	15991	2
13 *	IMPELLER KEY	K79329-23	15990	1	38	LOCKWASHER	J08	15991	2
14	BRG LOCKWASHER	23962-506	---	1	39	FLAT WASHER	K08	15991	2
15 *	IMPELLER NUT	K75776	15111	1	NOT SHOWN:				
16	GUIDE	K86489	15991	1	* DISCH CHK VALVE GSKT	11589GA	18000	1	
17	VALVE STEM	K86487	15991	1	* DISCH FLANGE GASKET	N14147	18000	1	
18	PIPE PLUG	P02	15079	1	ROTATION DECAL	2613M	---	1	
19	DISCH VALVE SPRING	K86490	---	1	BEARING TAG	6588ABB	---	1	
20	VALVE STEM	K86488	17000	1	INSTRUCTION TAG	38817-011	---	1	
21 *	O-RING	25152-335	---	1	OPTIONAL:				
22	DISCHARGE VALVE	38345-629	13047	1	COMPANION FLANGES (SUCT AND DISCHARGE)				
23	HEX NUT	D#10S	15991	1	-COMPANION FLG KIT	K33850	---	1	
24	T-TYPE LOCKWASHER	AK#10	15991	1	STEEL TUBING KIT	48263-509	---	1	
25	PIPE PLUG	P02	15079	1					

* INDICATES PARTS RECOMMENDED FOR STOCK

† ALL ROTO-PRIME[®] IMPELLERS ARE TRIMMED.

● SEE ACCOMPANYING LITERATURE FOR INDIVIDUAL PARTS, MAINTENANCE AND REPAIR.

THE GORMAN-RUPP COMPANY • MANSFIELD, OHIO



THE GORMAN-RUPP COMPANY • MANSFIELD, OHIO

GORMAN-RUPP OF CANADA LIMITED • ST. THOMAS, ONTARIO, CANADA

Printed in U.S.A.

S/N 1212293 Up
PUMP ISSUE 2

PARTS LIST
44143—078 Bearing Housing Assembly

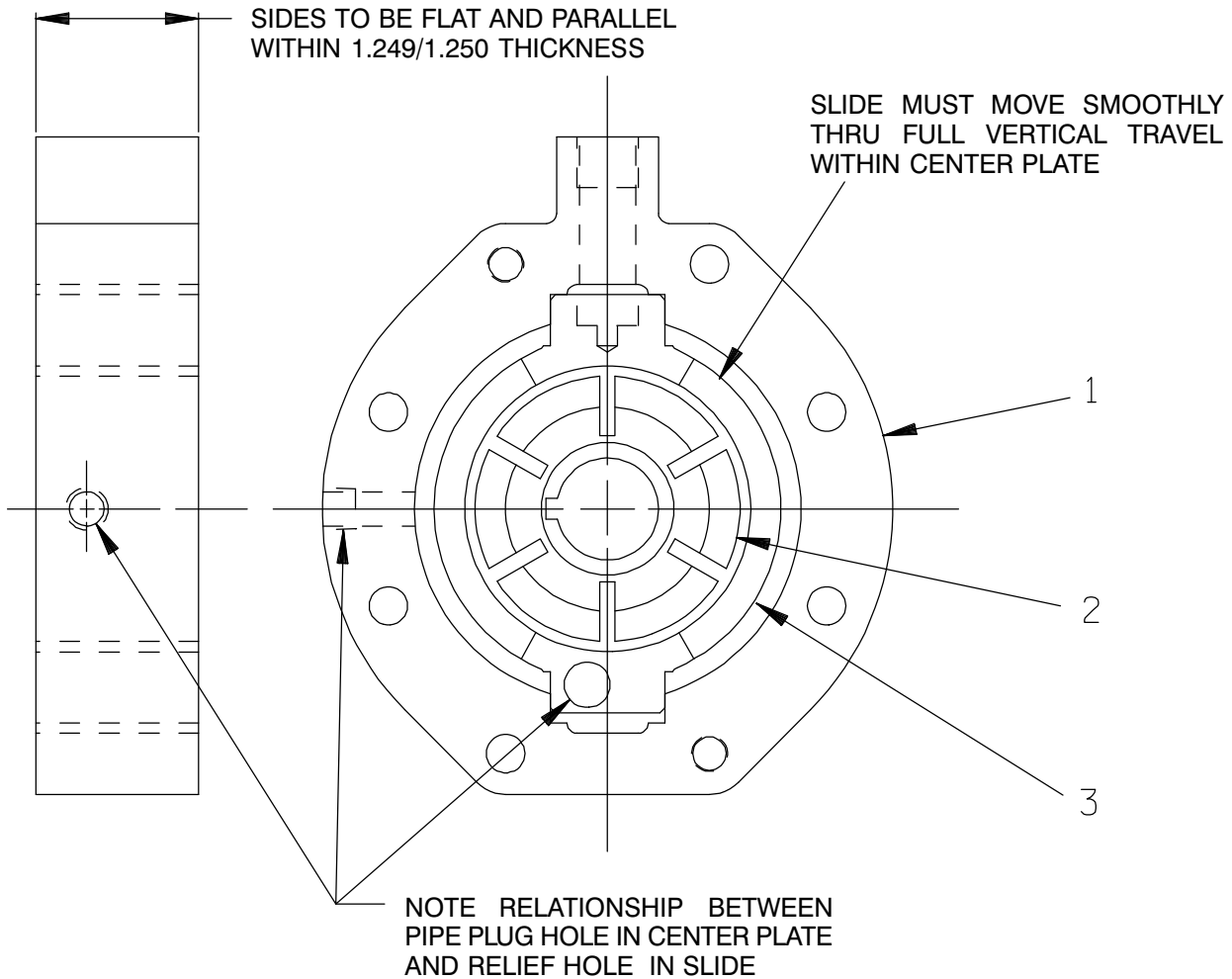
ITEM NO.	PART NAME	PART NUMBER	MAT'L CODE	QTY	ITEM NO.	PART NAME	PART NUMBER	MAT'L CODE	QTY
1 *	SEAL ASSEMBLY	25271—921	----	1	26	PIPE PLUG	P06	15079	1
2	SEAL RETAINING RING	24124—243	----	1	27 *	CENTER PLATE GASKET	N14145	18010	1
3	BEARING CAP	R12770—02	10010	1	28	HEX HD CAPSCREW	B0615	15991	8
4	BEARING LOCK NUT	23962—011	----	1	29	LOCKWASHER	J06	15991	8
5 *	BEARING CAP GASKET	N18938—01	18000	1	30	DOWEL PIN	21133—073	----	2
6	TAB WASHER	23962—511	----	1	31 *	OIL SEAL	25227—240	----	1
7 *	OUTBOARD BEARING	23282—011	----	1	32	PIPE PLUG	P02	15079	1
8	AIR VENT	S1703	----	1	33 *	OIL SEAL	25227—240	----	1
9	BEARING HOUSING	W01172—03	11010	1	34	CONNECTOR	25812—214	----	1
10 *	IMPELLER SHAFT	T08467—02	15010	1	35	HEX HD CAPSCREW	B0605	15991	4
11 *	BALL BEARING	23282—010	----	1	36	LOCKWASHER	J06	15991	4
12	BEARING RET RING	24124—245	----	1	37	PIPE NIPPLE	T0606	15079	1
13	PIPE PLUG	P02	15079	1	38	CHECK VALVE	26641—112	----	1
14	AIR VENT	S2162	----	1	39	MALE ELBOW	25812—011	----	1
15 *	SPACER PLATE GASKET	N14144	18000	1		OPTIONAL:			
16	SPACER PLATE	N14129—02	11010	1		SST IMPELLER SHAFT	T08467—02	17080	1
17	PRESS REG SPRING CAP	K68064	15991	1		● OIL LUBE BEARING			
18 *	SPRING CAP GASKET	K86067	----	1		HOUSING ASSEMBLY	44143—097	----	1
19 *	PRESS REG SPRING	K76301	----	1		—INBOARD BEARING	S1088	----	1
20	BODY COVER	T07826—04	11010	1		—OUTBOARD BEARING	S1077	----	1
21 *	ROTOR WOODRUFF KEY	K61559	15990	1		—OIL CUP	26713—051	----	1
22 *	ROTOR BLADE	K79300—22	----	6		GROUP GRIND WITH			
23	GROUP GRIND	42212—014	----	1		C.I. ROTOR	LK05266	----	1
24 *	LOCATING PIN	21154—666	----	1		TEFLON SEAL	25271—761	----	1
25 †	CENTER PLATE GASKET	N14145	18010	2					

* INDICATES PARTS RECOMMENDED FOR STOCK

† 2 GASKETS REQUIRED WHEN ROTOR OR SLIDE IS THICKER THAN CENTER PLATE.

● ALL OTHER COMPONENTS SAME AS STANDARD BEARING HOUSING ASSEMBLY.

THE GORMAN-RUPP COMPANY ● MANSFIELD, OHIO



PARTS LIST
42212-014 Group Grind

ITEM NO.	PART NAME	PART NUMBER	MAT'L CODE	QTY
1	CENTER PLATE	NOT AVAILABLE	---	1
2	ROTOR	NOT AVAILABLE	---	1
3	SLIDE	NOT AVAILABLE	---	1

NOTE: THE GROUP GRIND MUST BE REPLACED AS A COMPLETE UNIT: INDIVIDUAL PIECE PARTS ARE NOT SOLD SEPARATELY.

THE GORMAN-RUPP COMPANY • MANSFIELD, OHIO

GORMAN-RUPP OF CANADA LIMITED • ST. THOMAS, ONTARIO, CANADA

Printed in U.S.A.

**For U.S. and International Warranty Information,
Please Visit www.grpumps.com/warranty
or call:
U.S.: 419-755-1280
International: +1-419-755-1352**

**For Canadian Warranty Information,
Please Visit www.grcanada.com/warranty
or call:
519-631-2870**