

Use With: OM-03989  
MR-03991

PUBLICATION NUMBER PL-04015-02  
Pump Issue 2  
May 17, 1999  
Rev. A 11-7-2023



# PUMP MODEL RD2A31-B

**MANUAL  
PART 2 of 3**

**PARTS  
LIST  
WITH  
PERFORMANCE CURVE**

**THE GORMAN-RUPP COMPANY • MANSFIELD, OHIO**

[www.grpumps.com](http://www.grpumps.com)

**GORMAN-RUPP OF CANADA LIMITED • ST. THOMAS, ONTARIO, CANADA**

Printed in U.S.A.

© Copyright by the Gorman-Rupp Company

Register your new  
Gorman-Rupp pump online at  
**[www.grpumps.com](http://www.grpumps.com)**

Valid serial number and e-mail address required.

**RECORD YOUR PUMP MODEL AND SERIAL NUMBER**

Please record your pump model and serial number in the spaces provided below. Your Gorman-Rupp distributor needs this information when you require parts or service.

Pump Model: \_\_\_\_\_  
Serial Number: \_\_\_\_\_

## PERFORMANCE CURVE – SECTION A

### RECORDING MODEL AND SERIAL NUMBERS

Please record the pump model and serial number in the spaces provided below and in the separate Installation/Operation Manual accompanying your pump. Your Gorman-Rupp distributor needs this information when you require parts or service.

Pump Model: \_\_\_\_\_

Serial Number: \_\_\_\_\_

### WARRANTY INFORMATION

The pump warranty is provided as part of Gorman-Rupp's support program for customers who operate and maintain their equipment as described in this manual and other accompanying literature. Please note that should the equipment be abused or modified to change its performance beyond the original factory specifications, the warranty will become void and any claim will be denied.

### PERFORMANCE CURVES

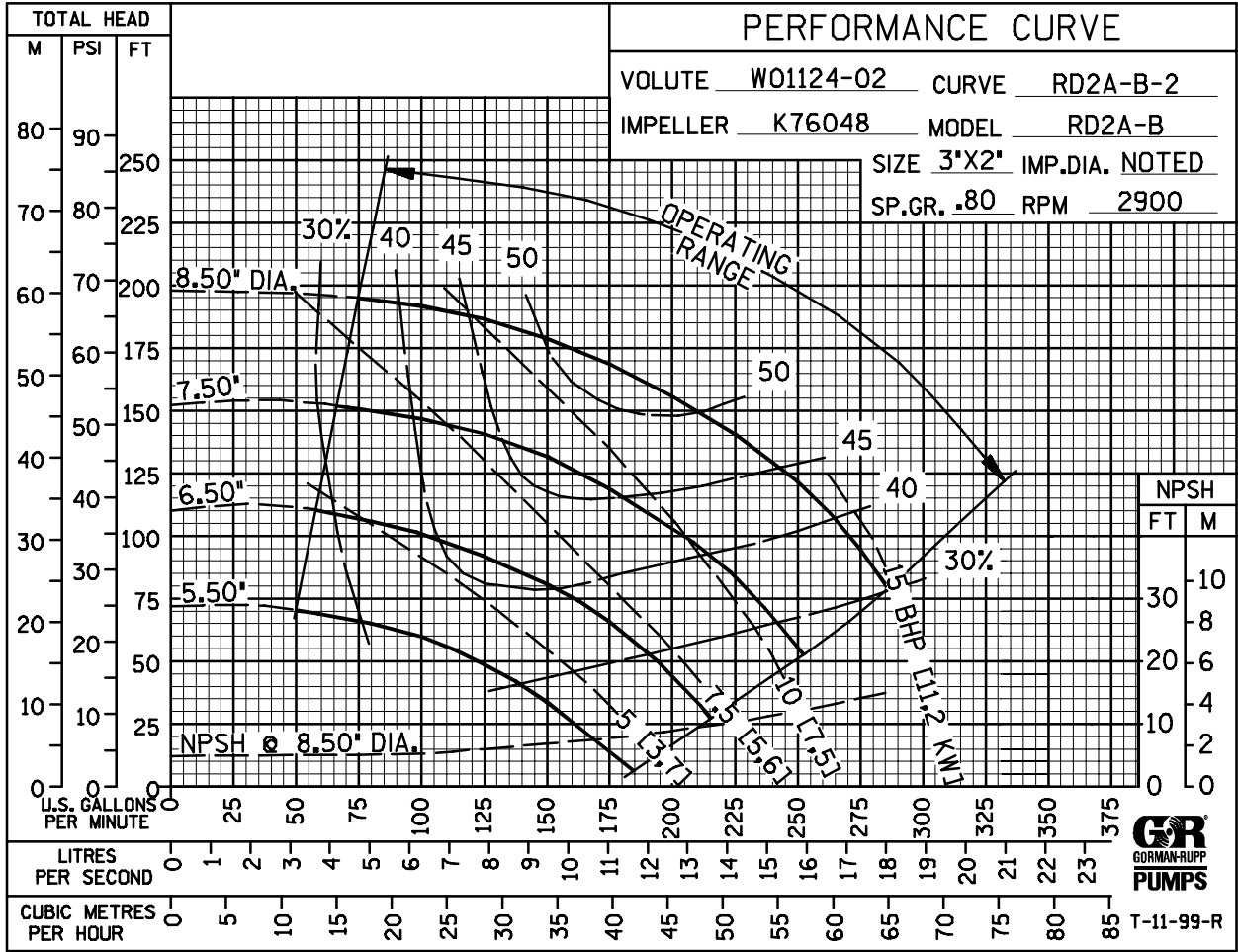
The performance curves on the following page are based on 70° F (21° C) clear water at sea level, corrected to 0.80 specific gravity, with minimum suction lift. Since pump installations are seldom identical, your performance may be different due to such factors as viscosity, specific gravity, elevation, temperature, and impeller trim.

If your pump serial number is followed by an "N", your pump is **NOT** a standard production model. Contact the Gorman-Rupp Company to verify performance or part numbers.

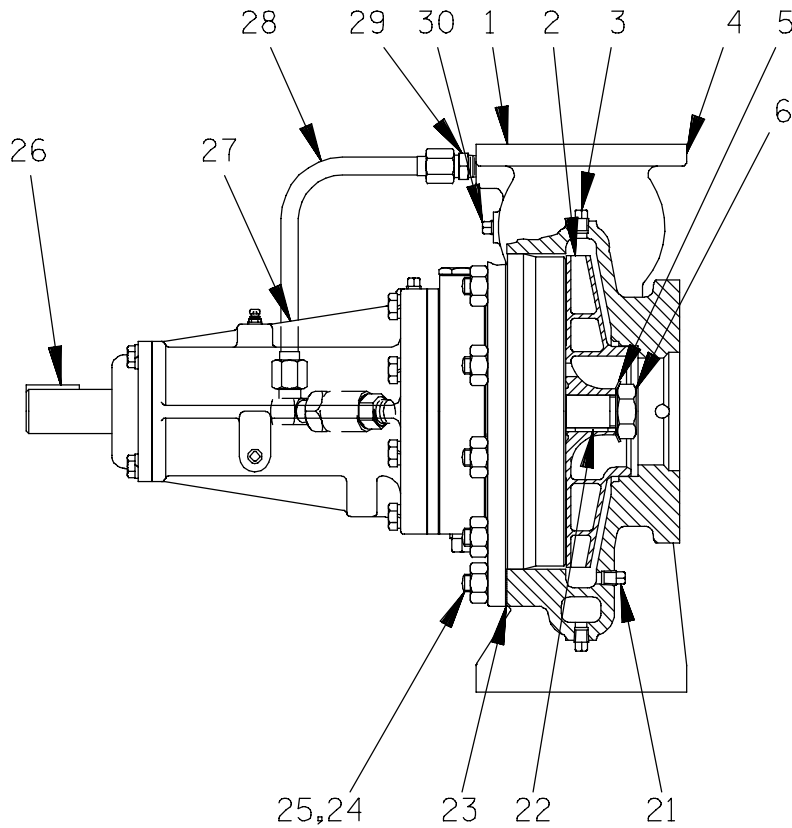
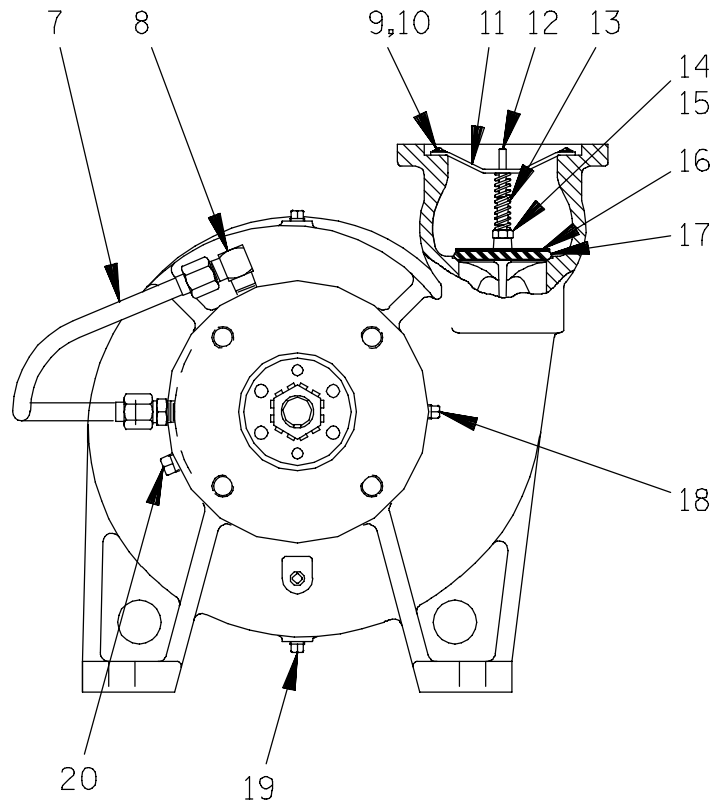


Pump speed and operating condition points must be within the continuous performance range shown on the curve(s).

**This Page Intentionally Blank**



Performance Curves – Model RD2A31-B



S/N 1188242 Up  
PUMP ISSUE 2

**PARTS LIST**  
**Pump Model RD2A31-B**

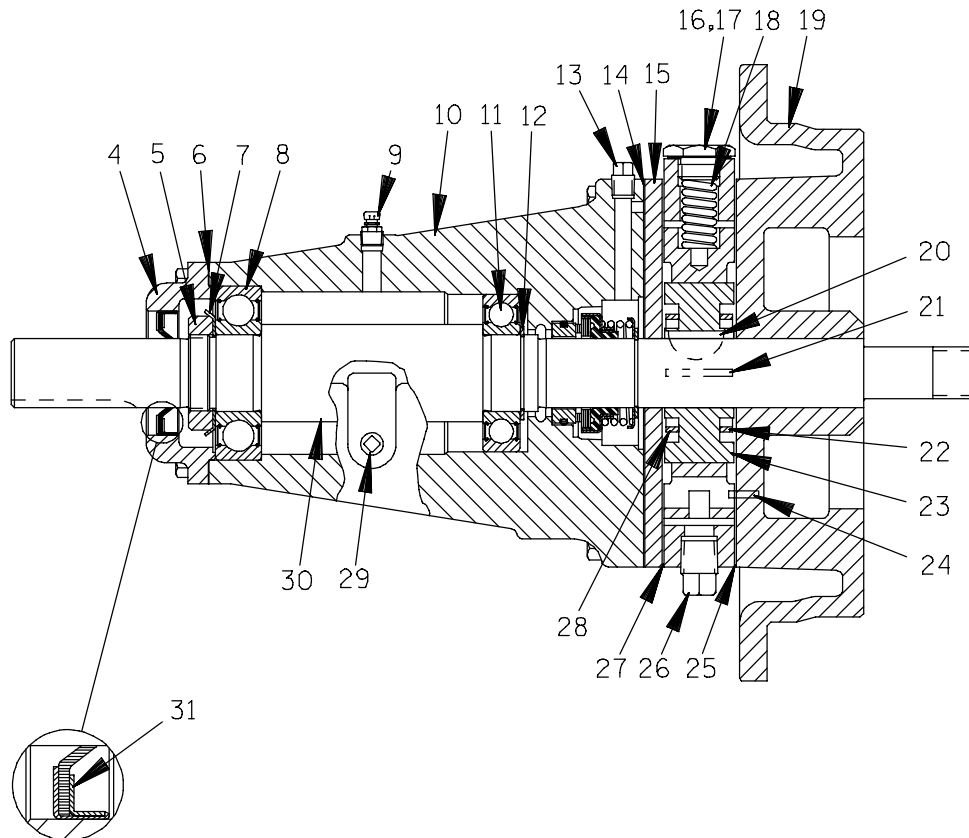
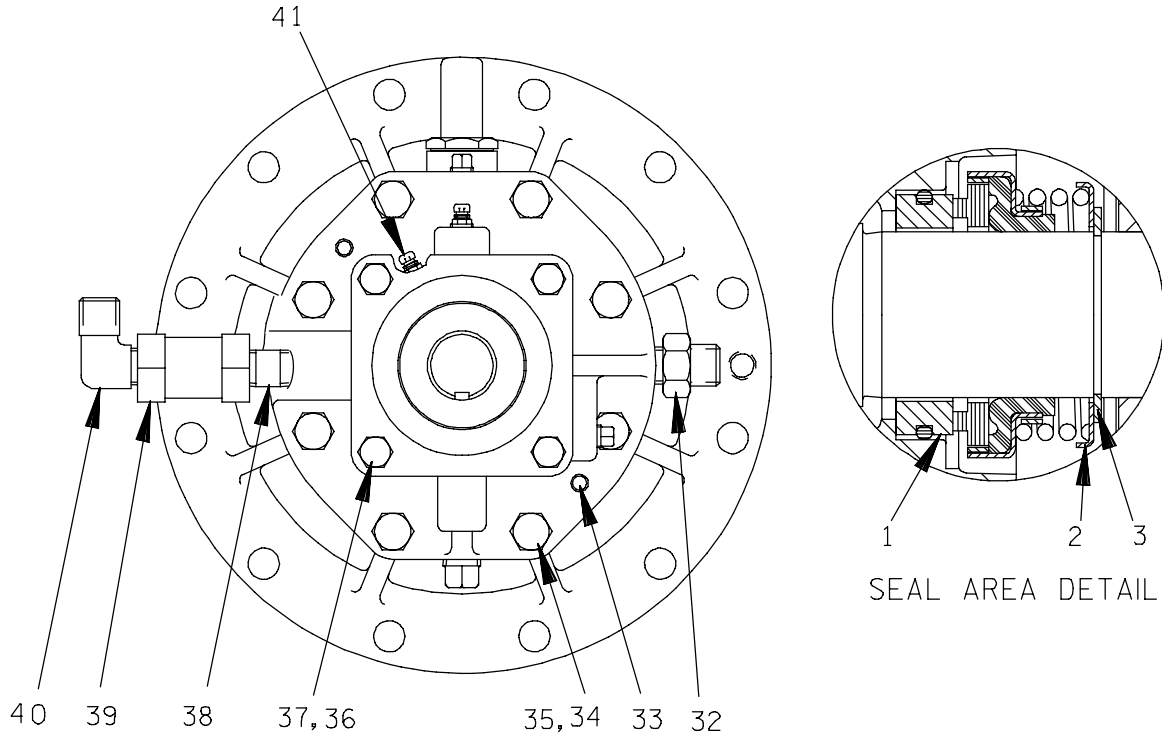
If your pump serial number is followed by an "N", your pump is **NOT** a standard production model. Contact the Gorman-Rupp Company to verify part numbers.

ITEM NO.	PART NAME	PART NUMBER	MAT'L CODE	QTY	ITEM NO.	PART NAME	PART NUMBER	MAT'L CODE	QTY
1	PUMP CASING	W01124-02	11010	1	25	HEX NUT	D08	15991	12
2 *	IMPELLER	38621-730	13048	1	26 *	SHAFT KEY	N0406	15990	1
3	PIPE PLUG	P02	15079	1	27	BRG HOUSING ASSY	44143-001	----	1
4	DISCHARGE STICKER	6588BJ	----	1	28	DISCHARGE TUBE ASSY	46335-071	----	1
5	LOCKWASHER	23962-506	----	1	29	CONNECTOR	25812-214	----	1
6	IMPELLER NUT	K75775	15111	1	30	PIPE PLUG	P02	15079	1
7	SUCTION TUBE ASSY	46335-072	----	1	NOT SHOWN:				
8	MALE ELBOW	25812-011	----	1	* DISCH CHK VALVE GSKT	11589GA	19060	----	1
9	SCREW	CM0401-1/2	15991	2	* DISCH FLANGE GASKET	N14226	19060	----	1
10	T-TYPE LOCKWASHER	AL04	17170	2	SUCTION STICKER	6588AG	----	----	1
11	GUIDE	K74251	15991	1	NAME PLATE	2613DZ	13990	----	1
12	VALVE STEM	K74008	15991	1	DRIVE SCREW	BM#04-03	17000	----	2
13	VALVE SPRING	K68834	----	1	STRAINER	26841-094	----	----	1
14	HEX NUT	D04	15991	1	LUBE DECAL	38816-081	----	----	1
15	T-TYPE LOCKWASHER	AL04	17170	1	INSTRUCTION TAG	38817-011	----	----	1
16	DISCHARGE VALVE	38345-630	13047	1	G-R DECAL	GR-03	----	----	1
17	O-RING	25152-330	----	1	BEARING TAG	6588ABB	----	----	1
18	PIPE PLUG	P02	15079	1	ROTATION DECAL	2613M	----	----	1
19	PIPE PLUG	P02	15079	1	OPTIONAL:				
20	PIPE PLUG	P06	15079	1	● AIR RELEASE VALVE	GRPP52-01A	----	----	1
21	PIPE PLUG	P02	15079	1	BRONZE IMPELLER	K76048	14150	----	1
22 *	IMPELLER KEY	K79328-23	15990	1					
23 *	PUMP CASING GASKET	R12531	19060	1					
24	STUD	C0807	15991	12					

\* INDICATES PARTS RECOMMENDED FOR STOCK

† ALL ROTO-PRIME<sup>®</sup> IMPELLERS ARE TRIMMED.

● SEE ACCOMPANYING LITERATURE FOR INDIVIDUAL PARTS, MAINTENANCE AND REPAIR.





S/N 1188242 Up  
PUMP ISSUE 2

**PARTS LIST**  
**44143-001 Bearing Housing Assembly**

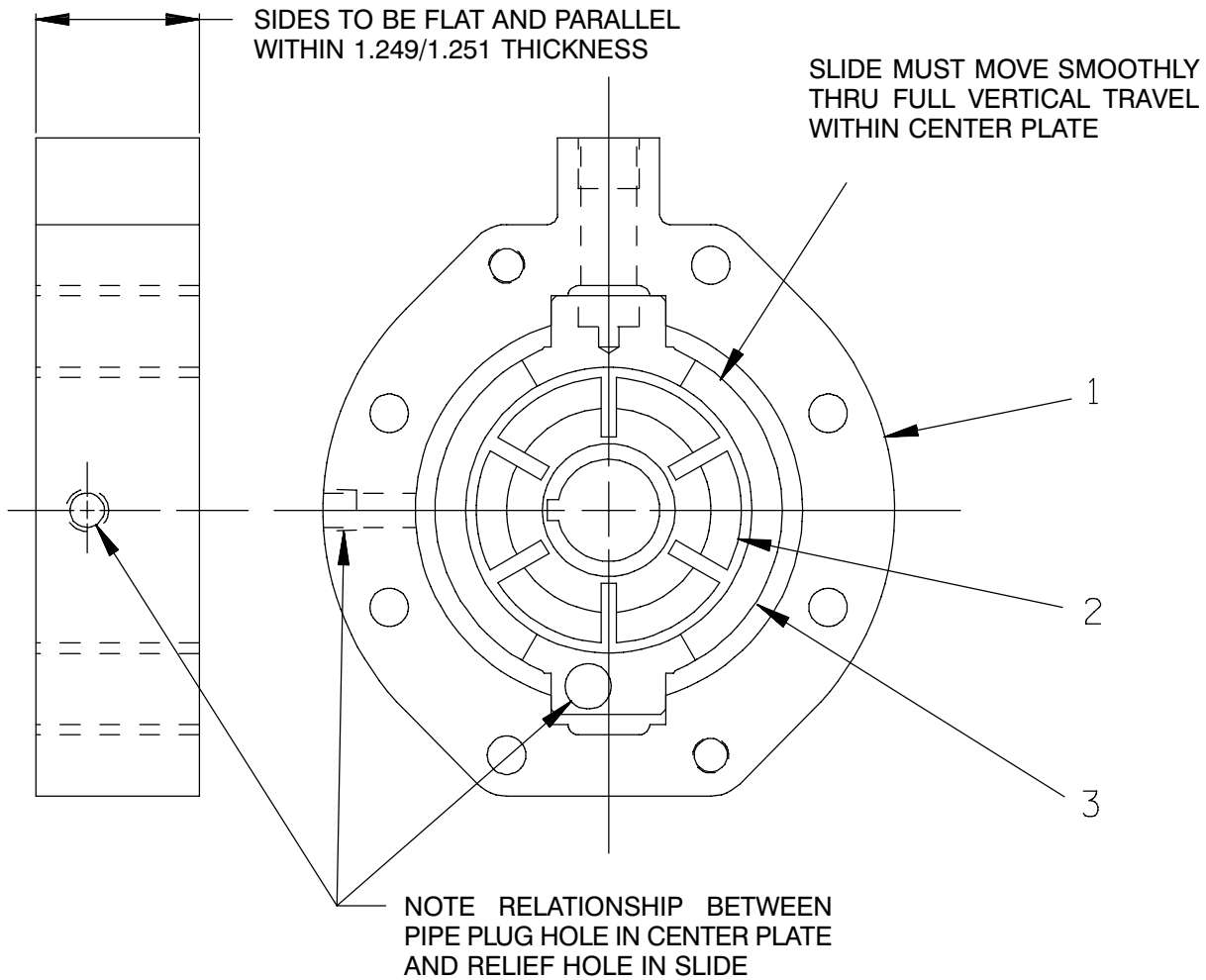
ITEM NO.	PART NAME	PART NUMBER	MAT'L CODE	QTY	ITEM NO.	PART NAME	PART NUMBER	MAT'L CODE	QTY
1 *	SEAL ASSEMBLY	25271-192	----	1	27 *	CENTER PLATE GASKET	N14145	18010	1
2 *	SPRING CTR WASHER	25273-266	----	1	28	BLADE SPACER	K74031	15030	1
3	SEAL RETAINING RING	S700	----	1	29	PIPE PLUG	P02	15079	1
4	BEARING CAP	N14130	10010	1	30 *	IMPELLER SHAFT	T07888	15010	1
5	BEARING LOCK NUT	S301	----	1	31 *	OIL SEAL	25227-230	----	1
6 *	BEARING CAP GASKET	K74033	18000	1	32	CONNECTOR	26351-062	----	1
7	TAB WASHER	S302	----	1	33	DOWEL PIN	21133-073	----	2
8 *	OUTBOARD BEARING	23282-008	----	1	34	HEX HD CAPSCREW	B0612	15991	8
9	AIR VENT	S2162	----	1	35	LOCKWASHER	J06	15991	8
10	BEARING HOUSING	T02990	11010	1	36	HEX HD CAPSCREW	B0504	15991	4
11 *	BALL BEARING	23257-012	----	1	37	LOCKWASHER	J05	15991	4
12	BEARING RET RING	S248	----	1	38	CLOSE NIPPLE	T06	15079	1
13	PIPE PLUG	P02	15079	1	39	CHECK VALVE	26641-082	----	1
14 *	SPACER PLATE GASKET	N14144	18000	1	40	MALE ELBOW	26351-133	----	1
15	SPACER PLATE	N14129	11010	1	41	AIR VENT	S2162	----	1
16	PRESS REG SPRING CAP	K68064	15991	1					
17 *	SPRING CAP GASKET	K86067	----	1		OPTIONAL:			
18 *	PRESS REG SPRING	K76301	----	1		SST IMPELLER SHAFT	T07888	17080	1
19	BODY COVER	T07826-02	11010	1		TEFLON SEAL ASSY	25271-743	----	1
20 *	ROTOR WOODRUFF KEY	K61559	15990	1		● OIL LUBE BEARING	44143-096	----	1
21 *	ROTOR BLADE	K79300-20	----	6		HOUSING ASSEMBLY			
22	ROTOR BLADE SPACER	K74031	15030	1		-INBOARD BEARING	S310	----	1
23	GROUP GRIND	42212-013	----	1		-OUTBOARD BEARING	23275-008	----	1
24 *	LOCATING PIN	21154-666	----	1		-OIL CUP	26713-051	----	1
25 †	CENTER PLATE GASKET	N14145	18010	2		GROUP GRIND WITH C.I. ROTOR			
26	PIPE PLUG	P06	15079	1		-C.I. GROUP GRIND	LK05266	----	1

\* INDICATES PARTS RECOMMENDED FOR STOCK

† 2 GASKETS REQUIRED WHEN ROTOR OR SLIDE IS THICKER THAN CENTER PLATE.

● ALL OTHER COMPONENTS SAME AS STANDARD BEARING HOUSING ASSEMBLY.

**THE GORMAN-RUPP COMPANY ● MANSFIELD, OHIO**



**PARTS LIST**  
**42212-013 Group Grind**

ITEM NO.	PART NAME	PART NUMBER	MAT'L CODE	QTY
1	CENTER PLATE	NOT AVAILABLE	---	1
2	ROTOR	NOT AVAILABLE	---	1
3	SLIDE	NOT AVAILABLE	---	1

**NOTE:** THE GROUP GRIND MUST BE REPLACED AS A COMPLETE UNIT: INDIVIDUAL PIECE PARTS ARE NOT SOLD SEPARATELY.

**THE GORMAN-RUPP COMPANY • MANSFIELD, OHIO**

GORMAN-RUPP OF CANADA LIMITED • ST. THOMAS, ONTARIO, CANADA

Printed in U.S.A.

**THE GORMAN-RUPP COMPANY AND  
GORMAN-RUPP OF CANADA LIMITED  
12 MONTH LIMITED WARRANTY**

**EXTENT AND DURATION OF WARRANTY**

**Coverage:** The Gorman-Rupp Company or Gorman-Rupp of Canada Limited (herein individually referred to as "GR") each individually warrant that its products and parts shall be free from defects in material and workmanship for twelve (12) months from the date of purchase by the original end user.

**Exceptions:** This Limited Warranty shall not apply to the following products and parts: engines, motors, trade accessories and other products, components or materials not manufactured by GR. With respect to submersible pumps, the pump and motor are an integral unit and are therefore warranted as a unit. However, with respect to the electrical components in submersible pumps, this warranty is valid **only** when electrical controls for the pump have been specified and/or provided by GR. Wear and tear on any product resulting from normal use is not covered by this Limited Warranty.

**LIMITATIONS**

**GR'S SOLE AND EXCLUSIVE WARRANTY WITH RESPECT TO ITS PRODUCTS AND PARTS IS THIS LIMITED WARRANTY. THIS LIMITED WARRANTY IS IN LIEU OF ALL OTHER EXPRESS AND/OR IMPLIED WARRANTIES, INCLUDING IMPLIED WARRANTIES OF MERCHANTABILITY AND FITNESS FOR PARTICULAR PURPOSE.**

**EXCLUSIVE REMEDY AND DAMAGES**

The sole and exclusive remedy for breach of this Limited Warranty by GR, and the entire extent of its liability for such breach or for damages arising and/or resulting from the use of the products and parts covered by this Limited Warranty shall be as follows:

1. **Repair or replacement:** If inspection shows that any GR product or part covered under this Limited Warranty is defective in materials or workmanship, GR shall repair or replace the defective product or part at its option, without charge. You must have properly installed, maintained and used the product or part claimed to be defective in accordance with the maintenance schedule and/or manual which comes with the product. *No allowance will be made for labor, transportation or other charges incurred by you in connection with such repair or replacement.*
2. **To obtain the above remedy:**
  - a) Immediately notify GR at the address below of the claimed defect in materials or workmanship and provide the serial number or date code of the product and/or part and provide a copy of the invoice or bill of sale referencing the product and/or part by no later than the expiration date of the Limited Warranty period.
  - b) GR will advise whether inspection of the product and/or part will be necessary and whether and how repair or replacement will be effected. If inspection by GR is necessary, the product or part must be sent freight prepaid to GR at the address stated below. Return shipment of the repaired product or part will be F.O.B. the address stated below.
3. **Damages:** GR's liability for damages for breach of this Limited Warranty shall not exceed the amount of the purchase price of the product or part in respect to which damages are claimed. **IN NO EVENT SHALL GR BE LIABLE FOR INCIDENTAL, CONSEQUENTIAL OR SPECIAL DAMAGES FOR BREACH OF THIS LIMITED WARRANTY OTHER THAN AS STATED HEREIN.**

Some states do not allow the exclusion or limitation of incidental or consequential damages. Accordingly, the above may not apply to you. This Limited Warranty gives you specific legal rights, and you may also have other rights which vary from state to state and province to province.

**THE GORMAN-RUPP COMPANY**  
P.O. BOX 1217  
MANSFIELD, OH 44901-1217  
Phone: (419) 755-1011

**GORMAN-RUPP OF CANADA LIMITED**  
70 Burwell Road  
St. Thomas, Ontario N5P 3R7  
Phone: (519) 631-2870