

PUBLICATION NUMBER PL-04012-01
Pump Issue 1
May 9, 1994



**PUMP MODEL
RD4A31-B**

**MANUAL
PART 2 of 3**

**PARTS
LIST**

**WITH
PERFORMANCE CURVE**

THE GORMAN-RUPP COMPANY • MANSFIELD, OHIO

GORMAN-RUPP OF CANADA LIMITED • ST. THOMAS, ONTARIO, CANADA Printed in U.S.A.

©Copyright by the Gorman-Rupp Company

PERFORMANCE CURVE – SECTION A

RECORDING MODEL AND SERIAL NUMBERS

Please record the pump model and serial number in the spaces provided below and in the separate Installation/Operation Manual accompanying your pump. Your Gorman-Rupp distributor needs this information when you require parts or service.

Pump Model: _____

Serial Number: _____

WARRANTY INFORMATION

The pump warranty is provided as part of Gorman-Rupp's support program for customers who operate and maintain their equipment as described in this manual and other accompanying literature. Please note that should the equipment be abused or modified to change its performance beyond the original factory specifications, the warranty will become void and any claim will be denied.

PERFORMANCE CURVES

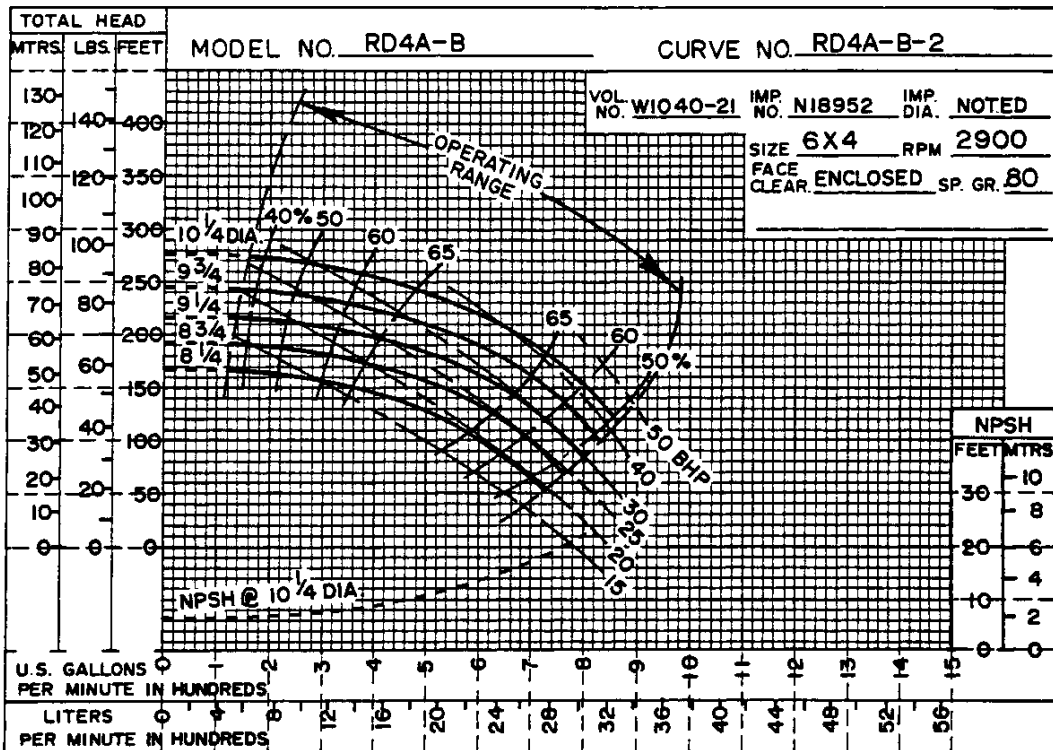
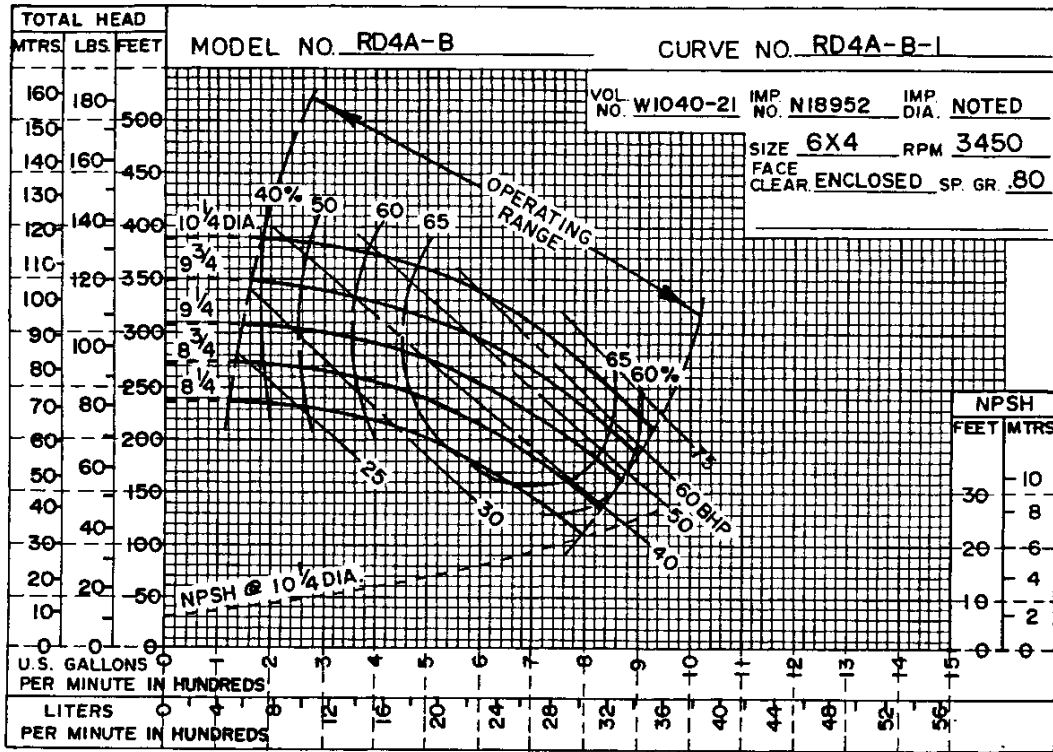
The performance curves on the following page are based on 70° F (21° C) clear water at sea level, corrected to 0.80 specific gravity, with minimum suction lift. Since pump installations are seldom identical, your performance may be different due to such factors as viscosity, specific gravity, elevation, temperature, and impeller trim.

If your pump serial number is followed by an "N", your pump is **NOT** a standard production model. Contact the Gorman-Rupp Company to verify performance or part numbers.



Pump speed and operating condition points must be within the continuous performance range shown on the curve(s).

This Page Intentionally Blank

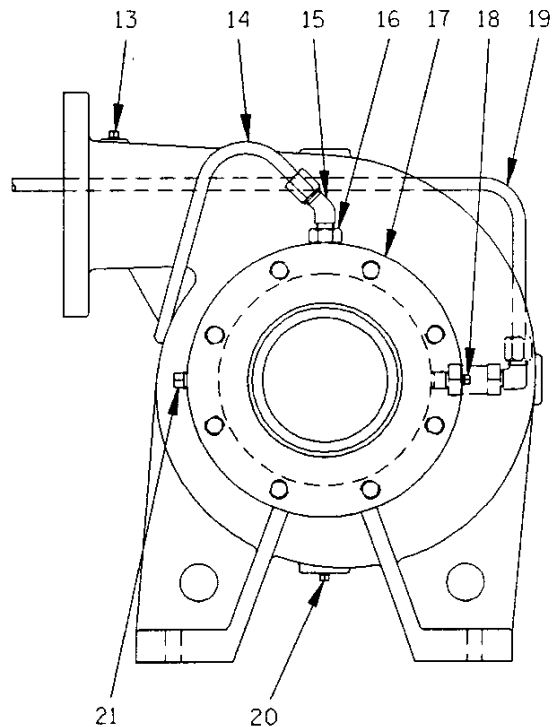
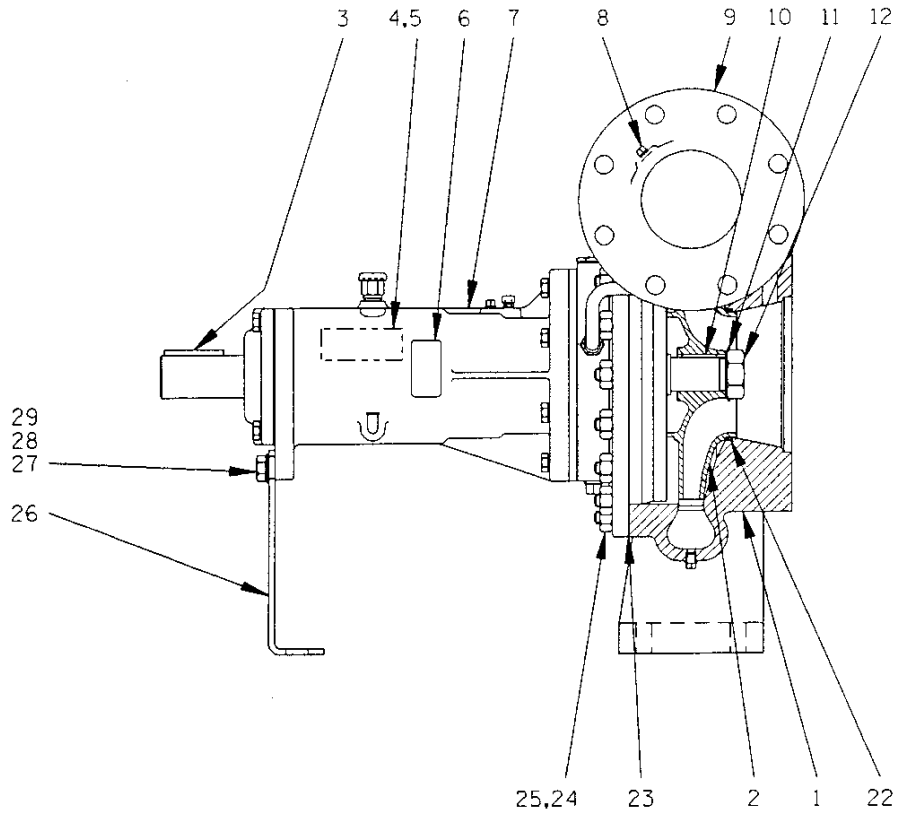


Performance Curve - Model RD4A31-B

B

RD4A31-B

S/N 1063386 Up
PUMP ISSUE 1



THE GORMAN-RUPP COMPANY • MANSFIELD, OHIO

GORMAN-RUPP OF CANADA LIMITED • ST. THOMAS, ONTARIO, CANADA

Printed in U.S.A.

1 of 5

05/09/94

©Copyright by the Gorman-Rupp Company

Page 120.4 A1.7

**S/N 1063386 Up
PUMP ISSUE 1**

**PARTS LIST
Pump Model RD4A31-B**

If your pump serial number is followed by an "N", your pump is **NOT** a standard production model. Contact the Gorman-Rupp Company to verify part numbers.

ITEM NO.	PART NAME	PART NUMBER	MAT'L CODE	QTY	ITEM NO.	PART NAME	PART NUMBER	MAT'L CODE	QTY
1	PUMP CASING	W01040-21	11010	1	24	STUD	C0807	15991	18
2 *	IMPELLER	N18952	13040	1	25	HEX NUT	D08	15991	18
3 *	SHAFT KEY	N0611	15990	1	26	BEARING HSG SUPPORT	R12852-02	15990	1
4	NAME PLATE	2613DZ	13990	1	27	HEX HD CAPSCREW	B0805	15991	2
5	DRIVE SCREW	BM#04-03	15990	2	28	LOCKWASHER	J08	15991	2
6	BRG LUBE DECAL	38816-074	-----	1	29	FLAT WASHER	K08	15991	2
7	BRG HOUSING ASSY	44143-093	-----	1					
8	PIPE PLUG	P02	15079	1		NOT SHOWN:			
9	DISCHARGE STICKER	6588BJ	-----	1		* DISCH FLANGE GASKET	N14147	18000	1
10 *	IMPELLER KEY	K79330-23	15990	1		* SUCTION FLANGE GSMT	1679G	18000	1
11	LOCKWASHER	S302	-----	1		INSTRUCTION TAG	38817-011	-----	1
12	IMPELLER NUT	K76645	15111	1		MALE ELBOW	25812-161	-----	1
13	PIPE PLUG	P02	15079	1		ROTATION DECAL	2613M	-----	1
14	SUCTION TUBE ASSY	R11643	-----	1		OPTIONAL:			
15	MALE ELBOW	25812-161	-----	1		DISCHARGE CHECK VALVE			
16	STRAINER	26841-074	-----	1		-CHECK VALVE	26642-205	-----	1
17	SUCTION STICKER	6588AG	-----	1		-CHECK VALVE GSMT	K79206-29	-----	1
18	PIPE PLUG	P02	15079	1		-HEX HD CAPSCREW	B1011	15991	8
19	DISCH TUBE ASSY	T08815	-----	1		-HEX NUT	D10	15991	8
20	PIPE PLUG	P02	15079	1		BRONZE IMPELLER	N18952	14140	1
21	PIPE PLUG	P06	15079	1		● AIR RELEASE VALVE	GRP52-05A	-----	1
22 †	WEAR RING	NOT AVAILABLE		2					
23 *	PUMP CASING GASKET	R11618	20000	1					

* INDICATES PARTS RECOMMENDED FOR STOCK

Above Serial Numbers Do Not Apply To Pumps Made In Canada.

CANADIAN SERIAL NO. AND UP

† ALL ROTO-PRIME® IMPELLERS ARE TRIMMED AND INCLUDE WEAR RINGS AND GROOVE PINS. WEAR RINGS ARE NOT SOLD SEPARATELY.

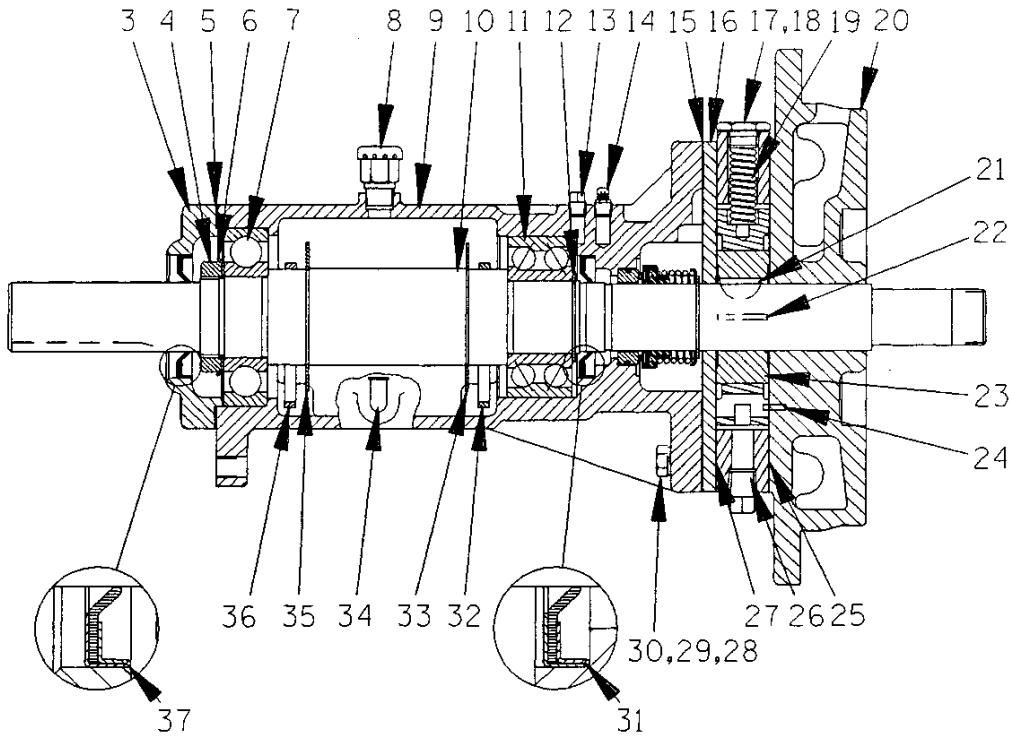
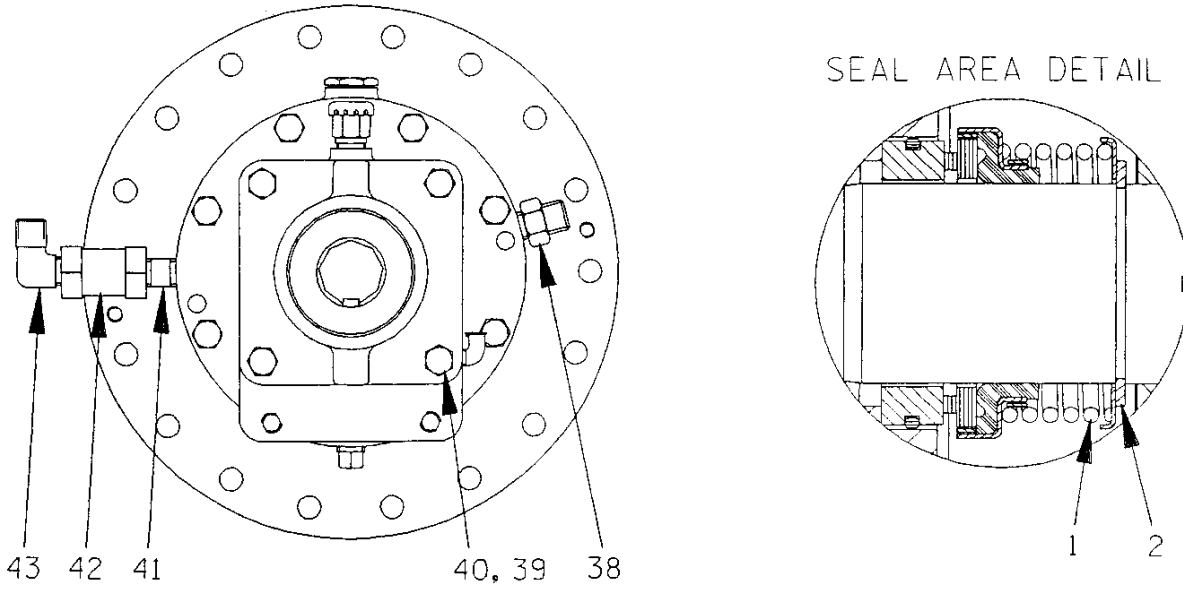
● SEE ACCOMPANYING LITERATURE FOR INDIVIDUAL PARTS, MAINTENANCE AND REPAIR.

THE GORMAN-RUPP COMPANY • MANSFIELD, OHIO

B

RD4A31-B

S/N 1063386 Up
PUMP ISSUE 1



THE GORMAN-RUPP COMPANY • MANSFIELD, OHIO

GORMAN-RUPP OF CANADA LIMITED • ST. THOMAS, ONTARIO, CANADA Printed in U.S.A.

3 of 5

05/09/94

©Copyright by the Gorman-Rupp Company

Page 120.4 A1.7

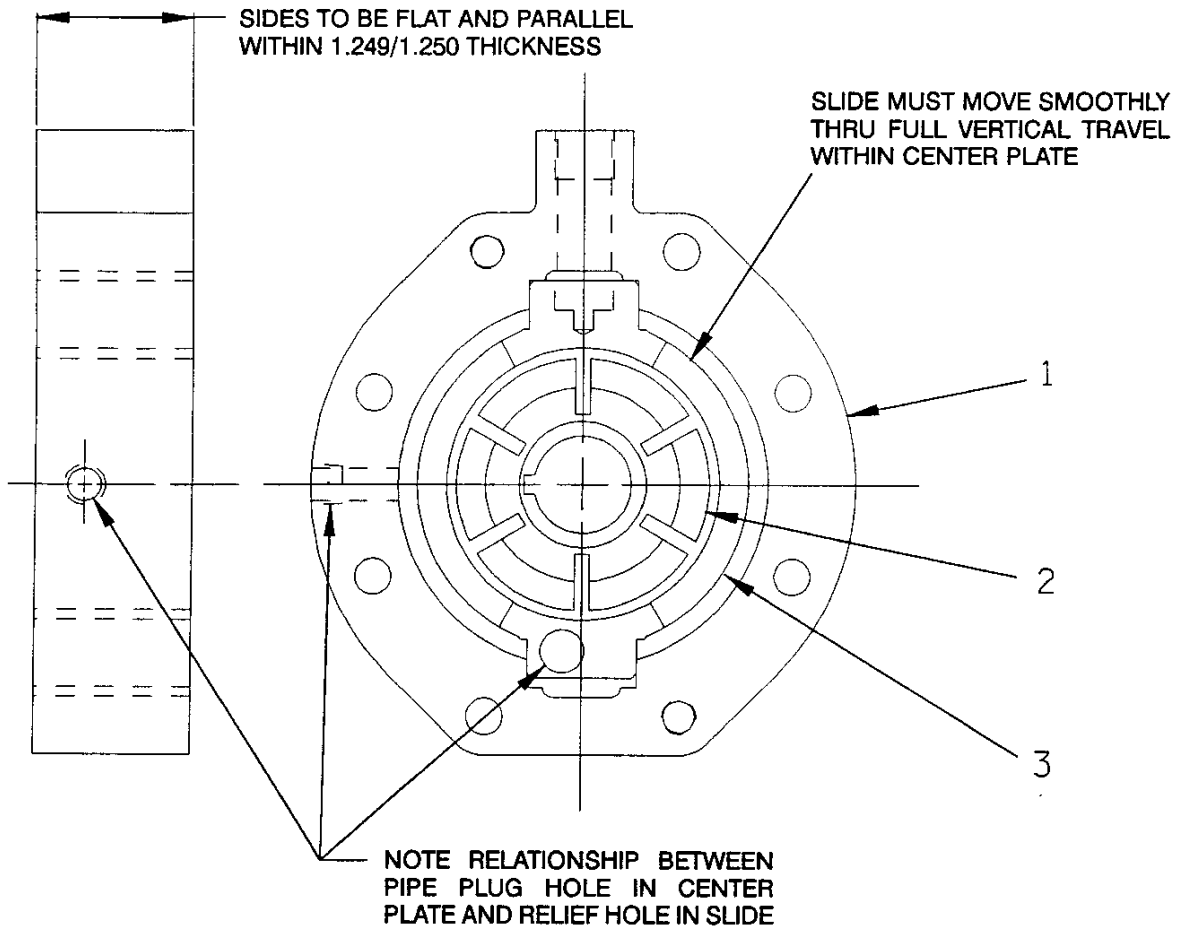
S/N 1063386 Up
PUMP ISSUE 1

PARTS LIST
44143-093 Bearing Housing Assembly

ITEM NO.	PART NAME	PART NUMBER	MAT'L CODE	QTY	ITEM NO.	PART NAME	PART NUMBER	MAT'L CODE	QTY
1 *	SEAL ASSEMBLY	25271-921	-----	1	25 †	CENTER PLATE GASKET	R10150	18010	2
2	SEAL RETAINING RING	24124-243	-----	1	26	PIPE PLUG	P06	15079	1
3	BEARING CAP	R12770-02	10010	1	27 *	CENTER PLATE GASKET	R10150	18010	1
4	BEARING LOCK NUT	23962-011	-----	1	28	HEX HD CAPSCREW	21632-611	-----	8
5 *	BEARING CAP GASKET	N18938-01	18000	1	29	LOCKWASHER	J06	15991	8
6	TAB WASHER	23962-511	-----	1	30	DOWEL PIN	21133-113	-----	2
7 *	OUTBOARD BEARING	23275-211	-----	1	31 *	OIL SEAL	25227-240	-----	1
8	AIR VENT	S1703	-----	1	32	SLINGER RING	K86483	15030	1
9	BEARING HOUSING	W01172-04	11010	1	33	SLINGER RING STOP	K76632-01	-----	1
10 *	IMPELLER SHAFT	T08623-02	15010	1	34	OILER	26713-054	-----	1
11 *	BALL BEARING	23421-410	-----	1	35	SLINGER RING STOP	K76632-01	-----	1
12	BEARING RET RING	24124-245	-----	1	36	SLINGER RING	K86483	15030	1
13	PIPE PLUG	P02	15079	1	37 *	OIL SEAL	25227-240	-----	1
14	AIR VENT	S2162	-----	1	38	CONNECTOR	25812-214	-----	1
15 *	SPACER PLATE GASKET	R12923	18000	1	39	HEX HD CAPSCREW	21632-597	-----	4
16	SPACER PLATE	R12771-02	11010	1	40	LOCKWASHER	J06	15991	4
17	PRESS REG SPRING CAP	K68064	15991	1	41	HVY PIPE NIPPLE	THA0606	15079	1
18 *	SPRING CAP GASKET	K86067	-----	1	42	CHECK VALVE	26641-082	-----	1
19 *	PRESS REG SPRING	K82659	-----	1	43	MALE ELBOW	25812-011	-----	1
20	BODY COVER	T06762-21	11010	1		OPTIONAL:			
21 *	ROTOR WOODRUFF KEY	K61559	15990	1		SST IMPELLER SHAFT	T08623-02	17080	1
22 *	ROTOR BLADE	K79300-22	-----	6		GROUP GRIND WITH C.I. ROTOR			
23	GROUP GRIND	42212-015	-----	1		-C.I. GROUP GRIND	LK05411	-----	1
24 *	LOCATING PIN	21154-666	-----	1					

* INDICATES PARTS RECOMMENDED FOR STOCK

† 2 GASKETS REQUIRED WHEN ROTOR OR SLIDE IS THICKER THAN CENTER PLATE.



PARTS LIST
42212-015 Group Grind

ITEM NO.	PART NAME	PART NUMBER	MAT'L CODE	QTY
1	CENTER PLATE	NOT AVAILABLE	----	1
2	ROTOR	NOT AVAILABLE	----	1
3	SLIDE	NOT AVAILABLE	----	1

NOTE: THE GROUP GRIND MUST BE REPLACED AS A COMPLETE UNIT: INDIVIDUAL PIECE PARTS ARE NOT SOLD SEPARATELY.

THE GORMAN-RUPP COMPANY • MANSFIELD, OHIO

GORMAN-RUPP OF CANADA LIMITED • ST. THOMAS, ONTARIO, CANADA

Printed in U.S.A.

**For U.S. and International Warranty Information,
Please Visit www.grpumps.com/warranty**

or call:

U.S.: 419-755-1280

International: +1-419-755-1352

**For Canadian Warranty Information,
Please Visit www.grcanada.com/warranty**

or call:

519-631-2870

THE GORMAN-RUPP COMPANY • MANSFIELD, OHIO

GORMAN-RUPP OF CANADA LIMITED • ST. THOMAS, ONTARIO, CANADA