

PUBLICATION NUMBER PL-04003-03  
Pump Issue 3  
February 3, 1994



# PUMP MODEL RS3A32-BAR

MANUAL  
PART 2 of 3

PARTS  
LIST  
WITH  
PERFORMANCE CURVE

**THE GORMAN-RUPP COMPANY • MANSFIELD, OHIO**

GORMAN-RUPP OF CANADA LIMITED • ST. THOMAS, ONTARIO, CANADA Printed in U.S.A.

©Copyright by the Gorman-Rupp Company

## PERFORMANCE CURVE - SECTION A

### RECORDING MODEL AND SERIAL NUMBERS

Please record the pump model and serial number in the spaces provided below and in the separate Installation/Operation Manual accompanying your pump. Your Gorman-Rupp distributor needs this information when you require parts or service.

Pump Model: \_\_\_\_\_

Serial Number: \_\_\_\_\_

### WARRANTY INFORMATION

The pump warranty is provided as part of Gorman-Rupp's support program for customers who operate and maintain their equipment as described in this manual and other accompanying literature. Please note that should the equipment be abused or modified to change its performance beyond the original factory specifications, the warranty will become void and any claim will be denied.

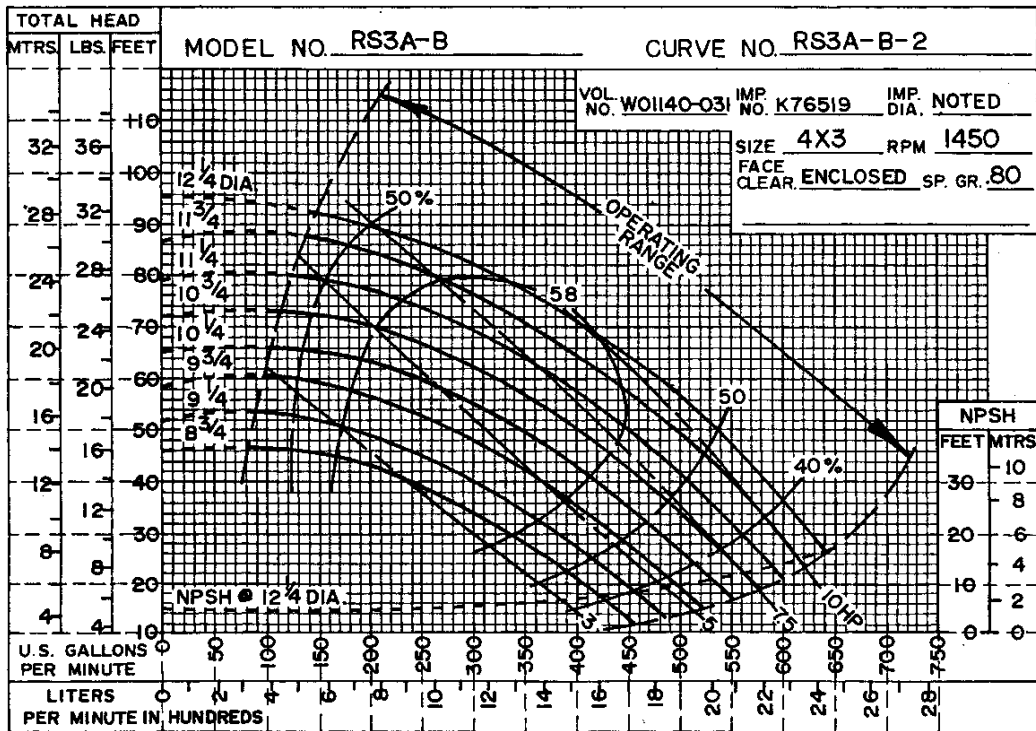
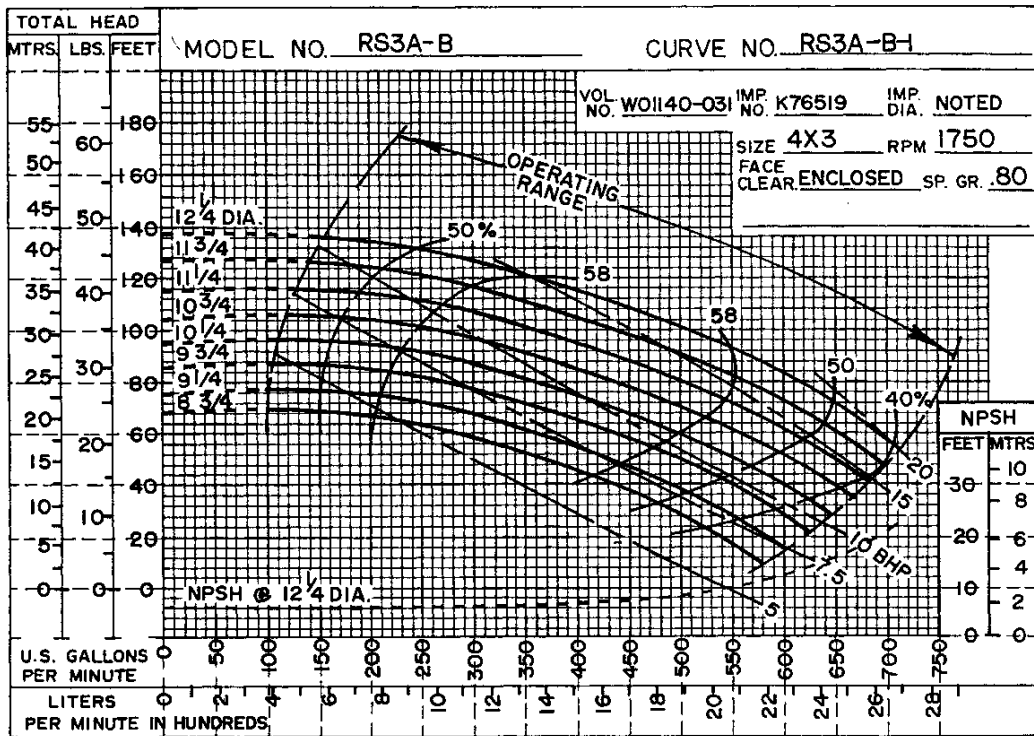
### PERFORMANCE CURVES

The performance curves on the following page are based on 70° F (21° C) clear water at sea level, corrected to 0.80 specific gravity, with minimum suction lift. Since pump installations are seldom identical, your performance may be different due to such factors as viscosity, specific gravity, elevation, temperature, and impeller trim.

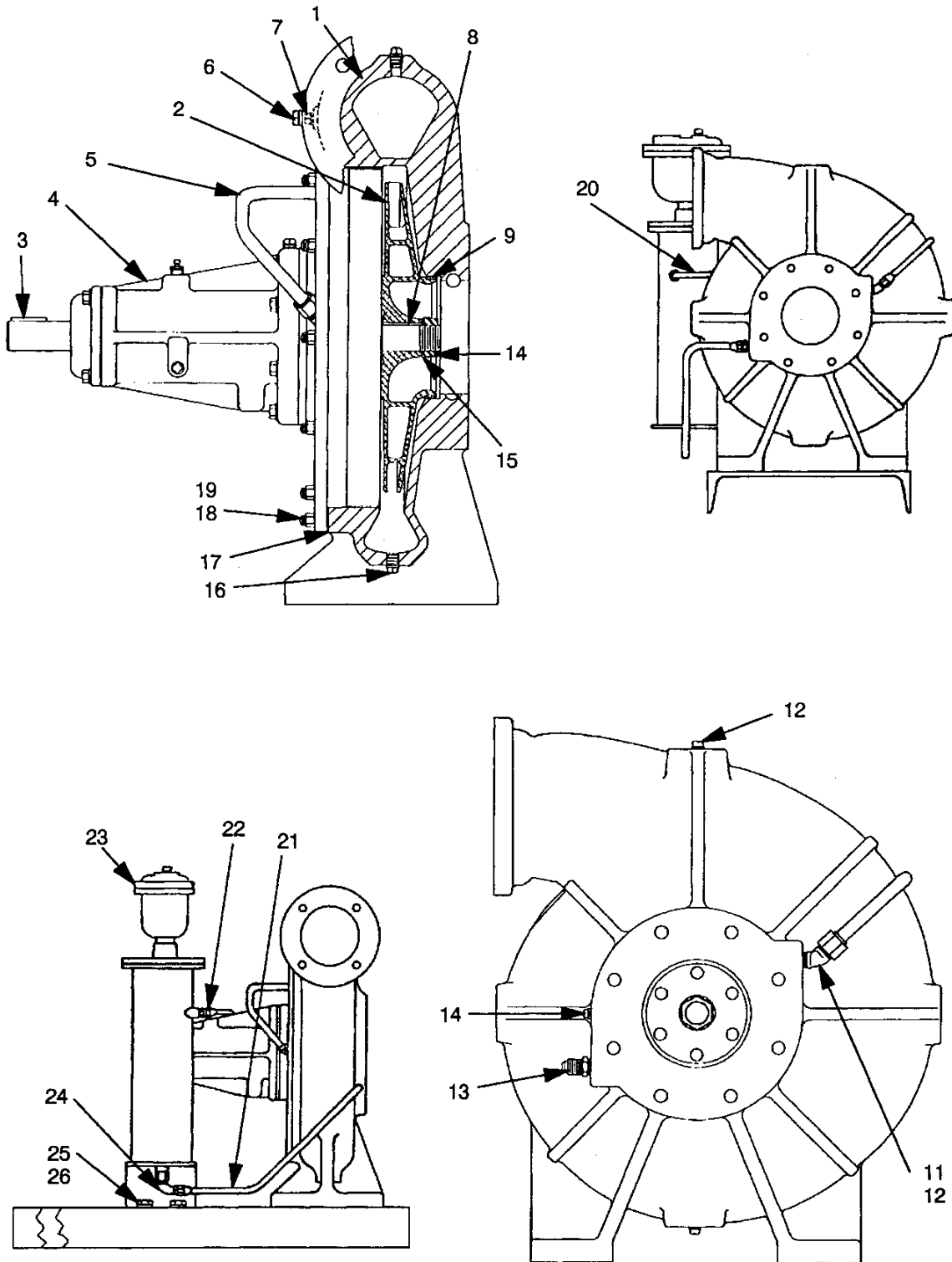
If your pump serial number is followed by an "N", your pump is **NOT** a standard production model. Contact the Gorman-Rupp Company to verify performance or part numbers.



Pump speed and operating condition points must be within the continuous performance range shown on the curve(s).



Performance Curve - Model RS3A32-BAR



**THE GORMAN-RUPP COMPANY • MANSFIELD, OHIO**

GORMAN-RUPP OF CANADA LIMITED • ST. THOMAS, ONTARIO, CANADA

Printed in U.S.A.

# RS3A32-BAR

B

S/N 1046432N Up  
PUMP ISSUE 3

## PARTS LIST Pump Model RS3A32-BAR

If your pump serial number is followed by an "N", your pump is **NOT** a standard production model. Contact the Gorman-Rupp Company to verify part numbers.

ITEM NO.	PART NAME	PART NUMBER	MAT'L CODE	QTY	ITEM NO.	PART NAME	PART NUMBER	MAT'L CODE	QTY
1	PUMP CASING	W01140-03	10140	1	22	CONNECTOR	25812-214	-----	1
2 *	IMPELLER	K76519	13040	1	23 ●	AIR RELEASE VALVE	GRP33-06B	-----	1
3 *	SHAFT KEY	N0406	15990	1	24	MALE ELBOW	25812-011	-----	1
4	BRG HOUSING ASSY	R12051-011	-----	1	25	HEX HD CAPSCREW	B0805	15991	2
5	PRIMING TUBE ASSY	T08343	-----	1	26	LOCKWASHER	J08	15991	2
6	PIPE PLUG	P06	15079	1	NOT SHOWN: * SUCT FLANGE GASKET N14147 18000 1 * DISCH FLANGE GASKET 11589GA 18000 1 SUCTION STICKER 6588AG ----- 1 NAME PLATE 2613DZ 13990 1 DRIVE SCREW BM#04-03 15990 2 ROTATION DECAL 2613M ----- 1 LUBE DECAL 38816-081 ----- 1 INSTRUCTION TAG 38817-011 ----- 1 DISCHARGE STICKER 6588BJ ----- 1				
7	PIPE PLUG	P02	15079	1					
8 *	IMPELLER KEY	K79329-23	15990	1					
9 †	WEAR RING	NOT AVAILABLE		2					
10	CONNECTOR	25812-214	-----	1					
11	PIPE PLUG	P02	15079	1					
12	PIPE PLUG	P08	15079	1					
13	MALE ELBOW	25812-161	-----	1					
14	IMPELLER NUT	K75776	15111	1					
15	LOCKWASHER	23962-506	-----	1					
16	PIPE PLUG	P02	15079	1	OPTIONAL: SUCTION FLANGE 255353-010 ----- 1 DISCHARGE FLANGE 25353-008 ----- 1 BRONZE IMPELLER T6235-22 14150 1				
17 *	PUMP CASING GASKET	N14146	20000	1					
18	STUD	C0606	15991	12					
19	HEX NUT	D06	15991	12					
20	DISCHARGE TUBE ASSY	R12741	-----	1					
21	RETURN ASSY	R12742	-----	1					

\* INDICATES PARTS RECOMMENDED FOR STOCK

Above Serial Numbers Do Not Apply To Pumps Made In Canada.

CANADIAN SERIAL NO. .... AND UP

† ALL ROTO-PRIME® IMPELLERS ARE TRIMMED AND INCLUDE WEAR RINGS AND GROOVE PINS. WEAR RINGS ARE NOT SOLD SEPARATELY.

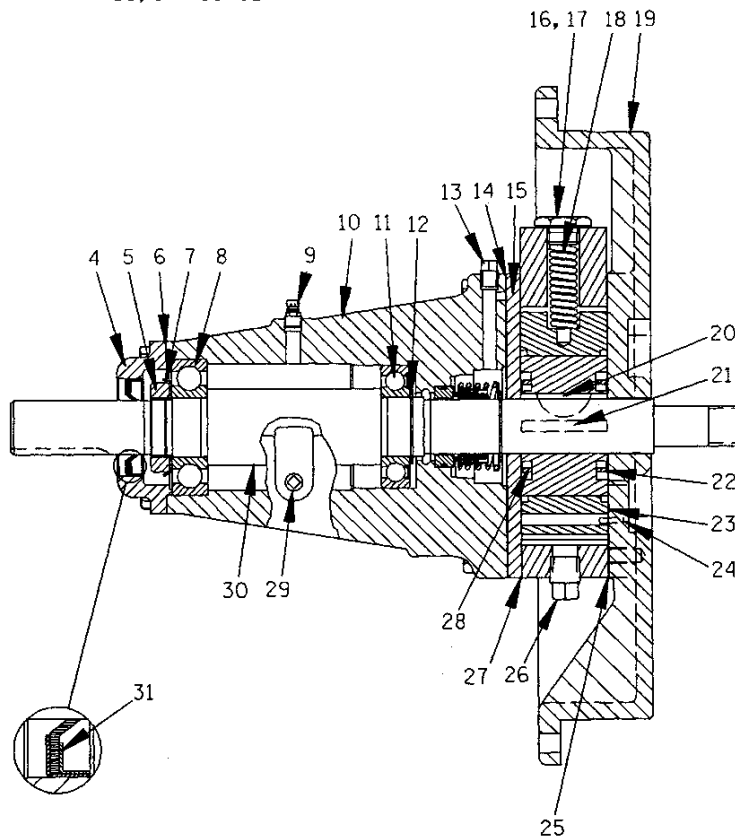
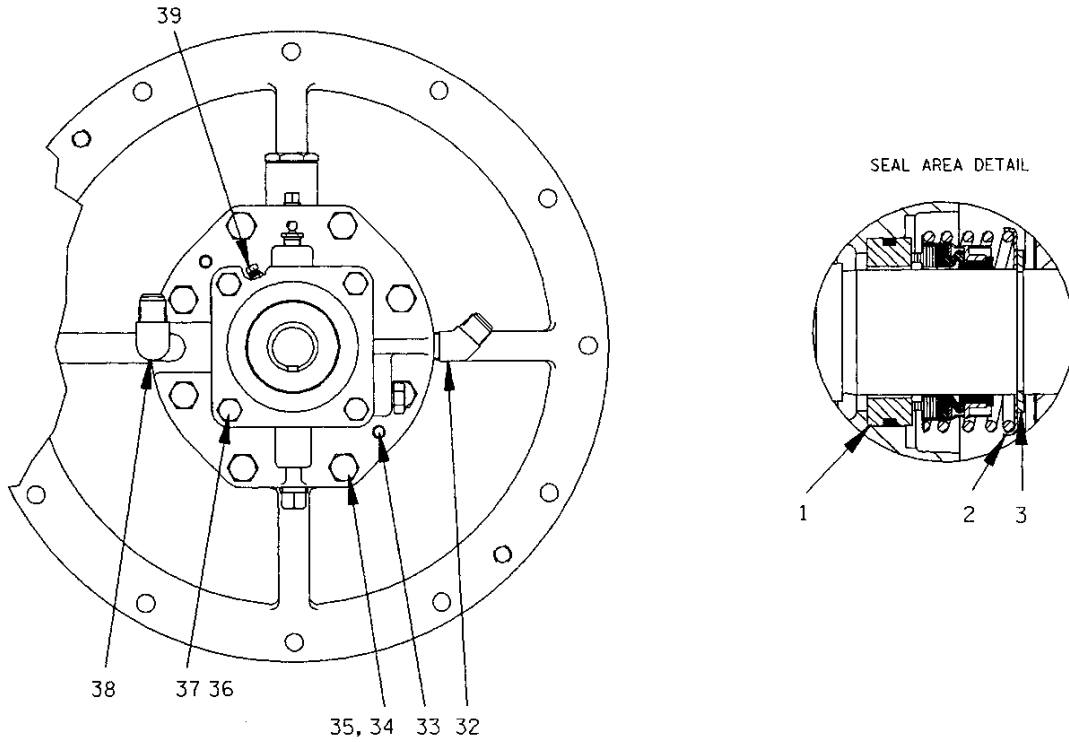
● SEE ACCOMPANYING LITERATURE FOR INDIVIDUAL PARTS, MAINTENANCE AND REPAIR.

### THE GORMAN-RUPP COMPANY • MANSFIELD, OHIO

2 of 5

GORMAN-RUPP OF CANADA LIMITED • ST. THOMAS, ONTARIO, CANADA

Printed In U.S.A.



**THE GORMAN-RUPP COMPANY • MANSFIELD, OHIO**

GORMAN-RUPP OF CANADA LIMITED • ST. THOMAS, ONTARIO, CANADA

Printed in U.S.A.

S/N 1046432N Up  
PUMP ISSUE 3

**PARTS LIST**  
**R12051-11 Bearing Housing Assembly**

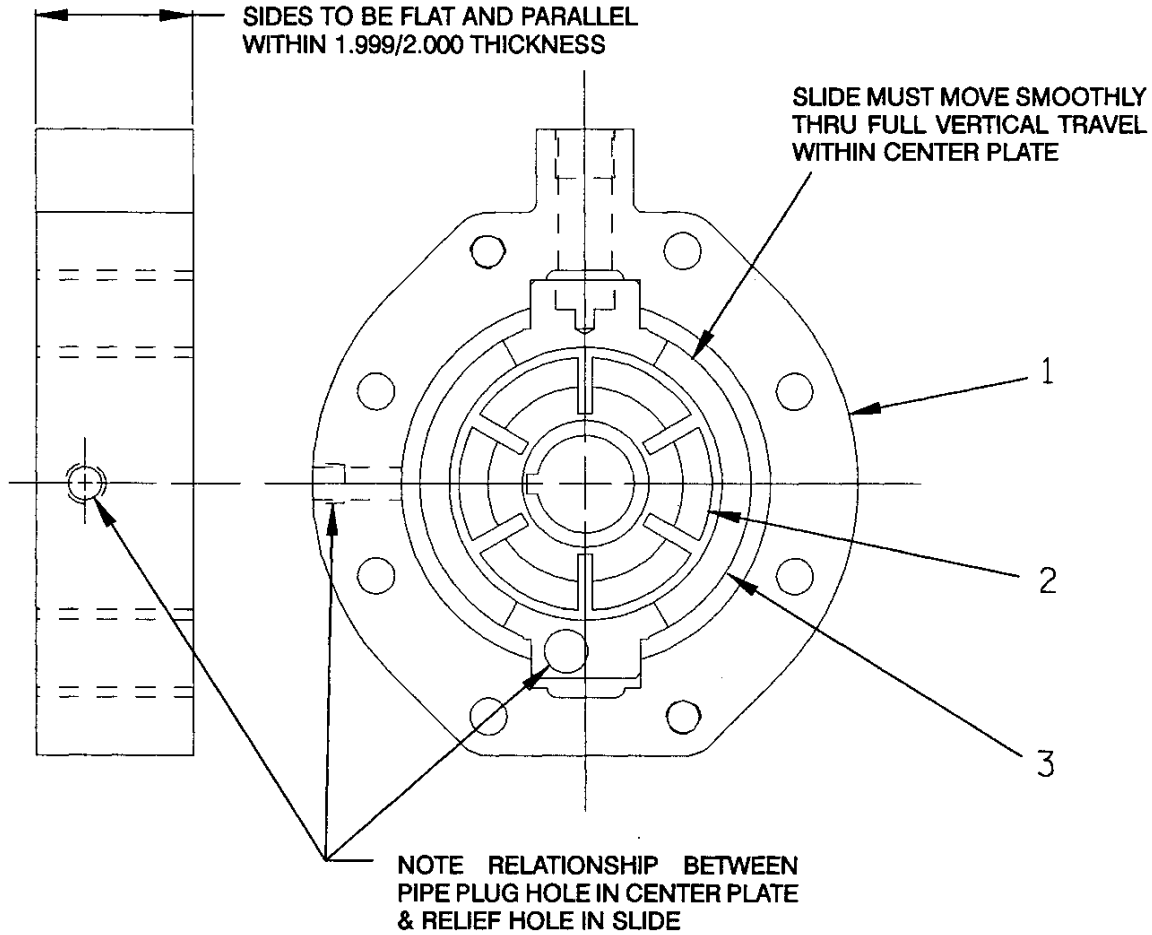
ITEM NO.	PART NAME	PART NUMBER	MAT'L CODE	QTY	ITEM NO.	PART NAME	PART NUMBER	MAT'L CODE	QTY
1 *	SEAL ASSEMBLY	25271-192	-----	1	25 †	CENTER PLATE GASKET	N14145	18010	2
2	SPRING HOLDER	25273-266	-----	1	26	PIPE PLUG	P06	15079	1
3	SEAL SNAP RING	S700	-----	1	27 *	CENTER PLATE GASKET	N14145	18010	1
4	BEARING CAP	N14130	10010	1	28	ROTOR BLADE SPACER	K74031	15030	1
5	BEARING LOCK NUT	S301	-----	1	29	PIPE PLUG	P02	15079	1
6 *	BEARING CAP GASKET	K74033	18000	1	30 *	IMPELLER SHAFT	R10123	15010	1
7	TAB WASHER	S302	-----	1	31 *	OIL SEAL	25227-230	-----	1
8 *	OUTBOARD BEARING	23282-008	-----	1	32	MALE ELBOW	25812-161	-----	1
9	AIR VENT	S2162	-----	1	33	DOWEL PIN	21133-076	-----	2
10	BEARING HOUSING	T02990	11010	1	34	HEX HD CAPSCREW	21632-614	-----	8
11 *	BALL BEARING	23257-012	-----	1	35	LOCKWASHER	J06	15991	8
12	BEARING RET RING	S248	-----	1	36	HEX HD CAPSCREW	B0504	15991	4
13	PIPE PLUG	P02	15079	1	37	LOCKWASHER	J05	15991	4
14 *	SPACER PLATE GASKET	N14144	18000	1	38	MALE ELBOW	25812-011	-----	1
15	SPACER PLATE	N14129	11010	1	39	AIR VENT	S2162	-----	1
16	PRESS REG SPRING CAP	K68064	15991	1	OPTIONAL:				
17 *	SPRING CAP GASKET	K86067	-----	1	***	PRESS REG SPRING	K74119	-----	1
18 *	PRESS REG SPRING	K74120	-----	1		SST IMPELLER SHAFT	R10769	17080	1
19	BODY COVER	T02985B-01	10140	1		TEFLON SEAL ASSY	25271-743	-----	1
20 *	ROTOR WOODRUFF KEY	K74041	15990	1	●	OIL LUBE BEARING HOUSING ASSEMBLY	44143-104	-----	1
21 *	ROTOR BLADE	K79300-21	-----	6		--INBOARD BEARING	S310	-----	1
22	ROTOR BLADE SPACER	K74031	15030	1		--OUTBOARD BEARING	23275-008	-----	1
23	GROUP GRIND	LK05293	-----	1		--OIL CUP	26713-051	-----	1
24 *	LOCATING PIN	21154-666	-----	1					

\* INDICATES PARTS RECOMMENDED FOR STOCK

† 2 GASKETS REQUIRED WHEN ROTOR OR SLIDE IS THICKER THAN CENTER PLATE.

● ALL OTHER COMPONENTS SAME AS STANDARD BEARING HOUSING ASSEMBLY.

\*\* USE IN PLACE OF K74120 (ITEM 18) WITH IMPELLERS 10 1/2 INCHES OR SMALLER IN DIAMETER.



**PARTS LIST**  
**LK05293 Group Grind**

ITEM NO.	PART NAME	PART NUMBER	MAT'L CODE	QTY
1	CENTER PLATE	NOT AVAILABLE	----	1
2	ROTOR	NOT AVAILABLE	----	1
3	SLIDE	NOT AVAILABLE	----	1

**NOTE:** THE GROUP GRIND MUST BE REPLACED AS A COMPLETE UNIT. INDIVIDUAL PIECE PARTS ARE NOT SOLD SEPARATELY.

**THE GORMAN-RUPP COMPANY • MANSFIELD, OHIO**

GORMAN-RUPP OF CANADA LIMITED • ST. THOMAS, ONTARIO, CANADA

Printed in U.S.A.



**For U.S. and International Warranty Information,  
Please Visit [www.grpumps.com/warranty](http://www.grpumps.com/warranty)**

**or call:**

**U.S.: 419-755-1280**

**International: +1-419-755-1352**

**For Canadian Warranty Information,  
Please Visit [www.grcanada.com/warranty](http://www.grcanada.com/warranty)**

**or call:**

**519-631-2870**

**THE GORMAN-RUPP COMPANY • MANSFIELD, OHIO**

**GORMAN-RUPP OF CANADA LIMITED • ST. THOMAS, ONTARIO, CANADA**