



PUMP MODEL RS3A32-B

MANUAL
PART 2 of 3

PARTS
LIST
WITH
PERFORMANCE CURVE

THE GORMAN-RUPP COMPANY • MANSFIELD, OHIO

GORMAN-RUPP OF CANADA LIMITED • ST. THOMAS, ONTARIO, CANADA Printed in U.S.A.

©Copyright by the Gorman-Rupp Company

PERFORMANCE CURVE – SECTION A

RECORDING MODEL AND SERIAL NUMBERS

Please record the pump model and serial number in the spaces provided below and in the separate Installation/Operation Manual accompanying your pump. Your Gorman-Rupp distributor needs this information when you require parts or service.

Pump Model: _____

Serial Number: _____

WARRANTY INFORMATION

The pump warranty is provided as part of Gorman-Rupp's support program for customers who operate and maintain their equipment as described in this manual and other accompanying literature. Please note that should the equipment be abused or modified to change its performance beyond the original factory specifications, the warranty will become void and any claim will be denied.

PERFORMANCE CURVES

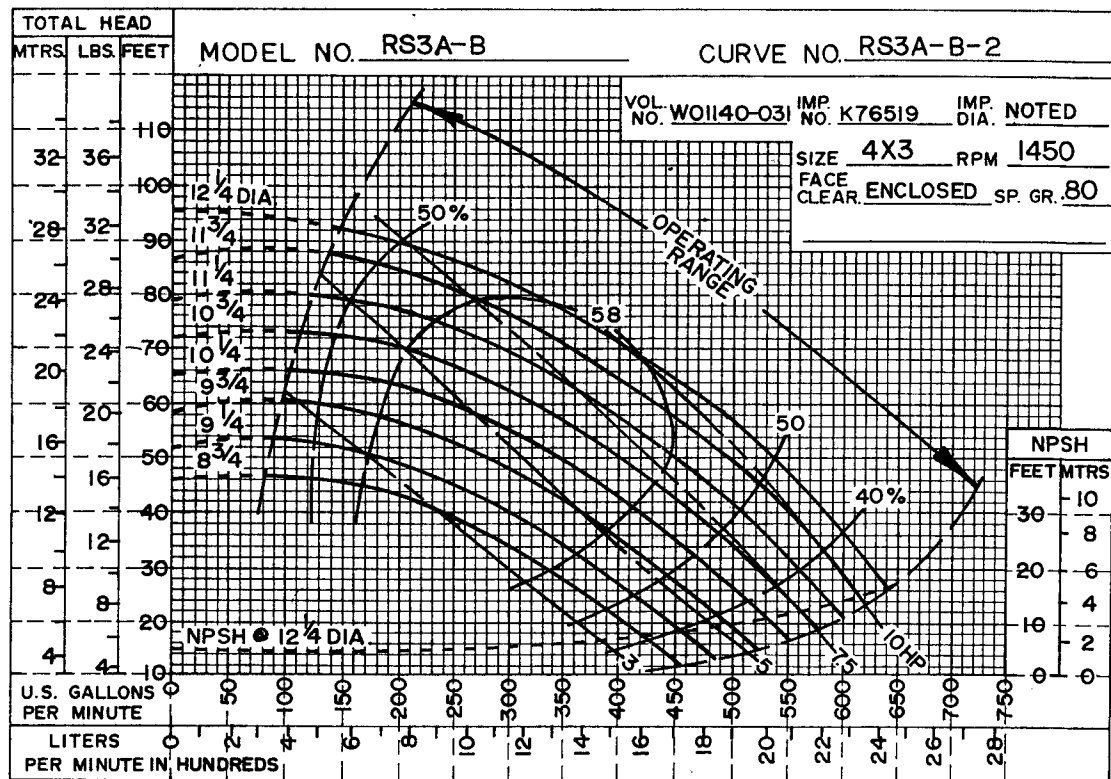
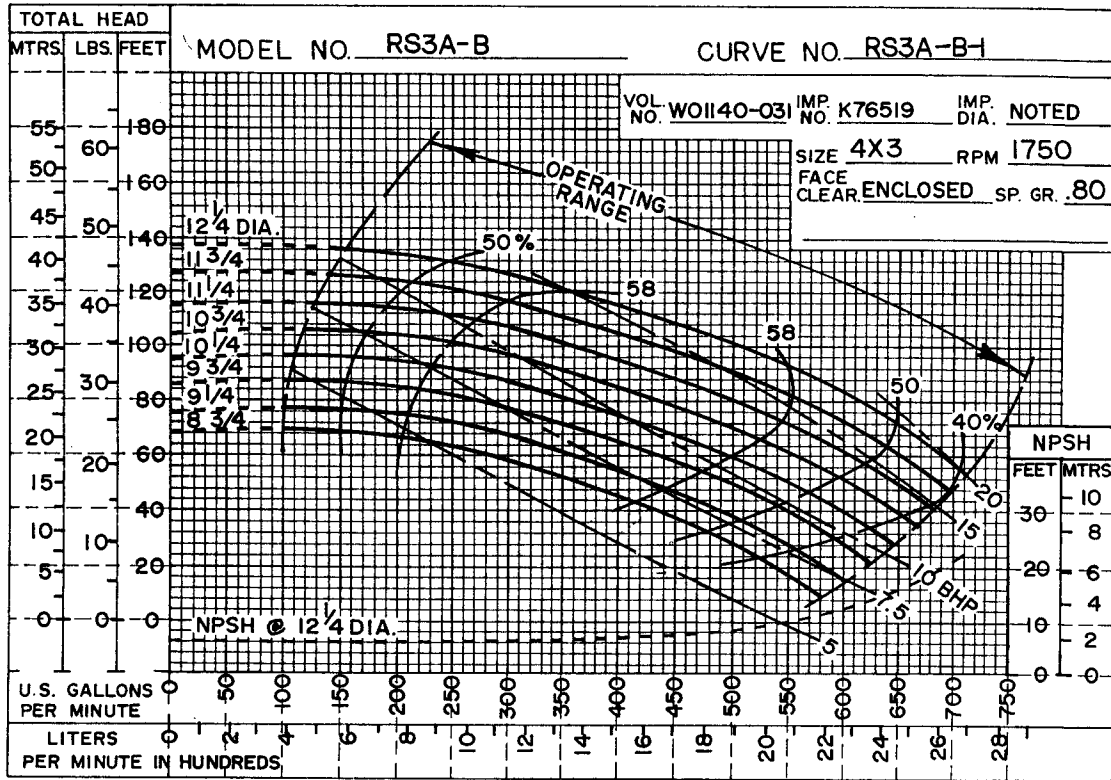
The performance curves on the following page are based on 70° F (21° C) clear water at sea level, corrected to 0.80 specific gravity, with minimum suction lift. Since pump installations are seldom identical, your performance may be different due to such factors as viscosity, specific gravity, elevation, temperature, and impeller trim.

If your pump serial number is followed by an "N", your pump is **NOT** a standard production model. Contact the Gorman-Rupp Company to verify performance or part numbers.

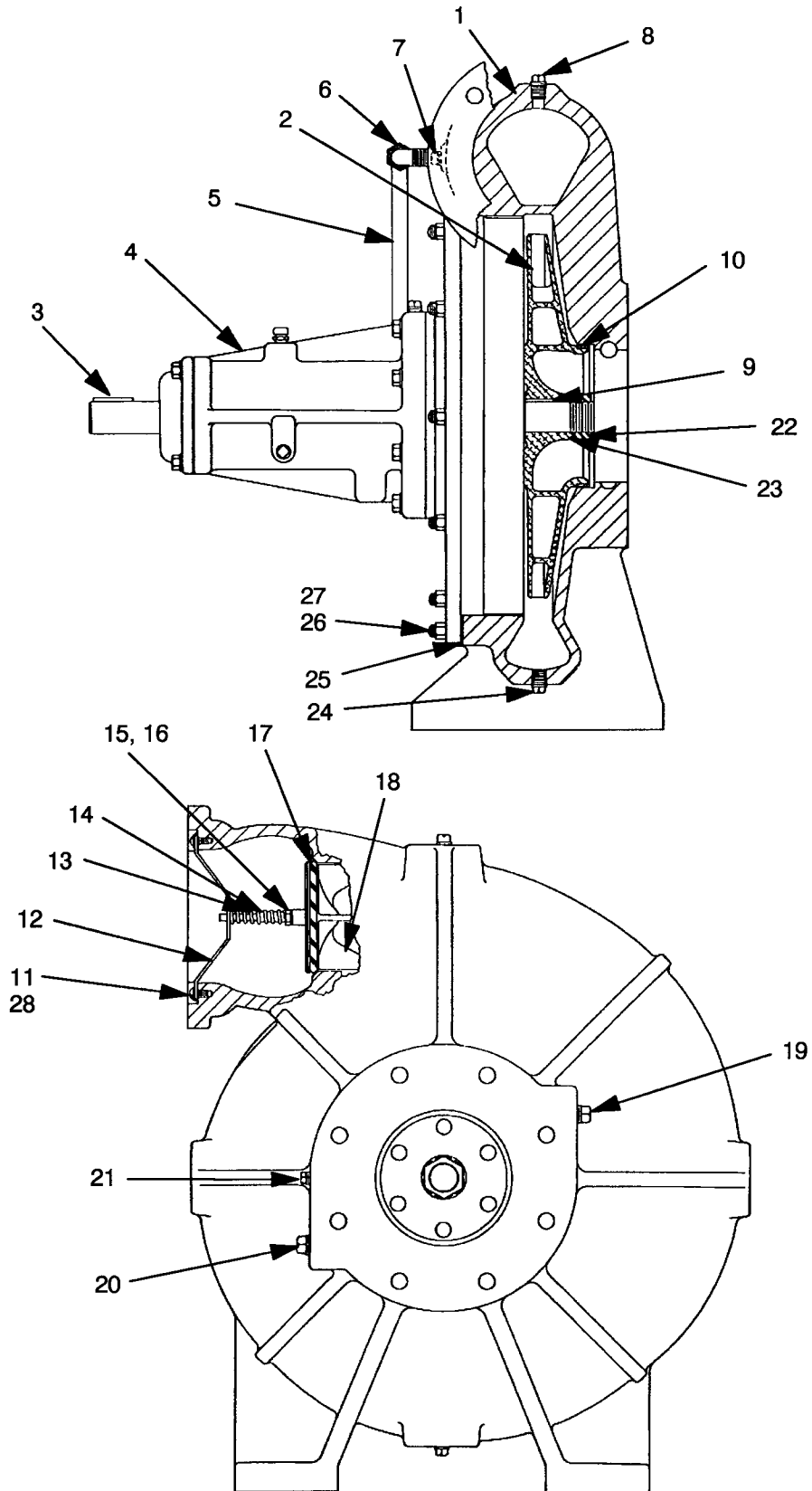


Pump speed and operating condition points must be within the continuous performance range shown on the curve(s).

This Page Intentionally Blank



Performance Curve - Model RS3A32-B



THE GORMAN-RUPP COMPANY • MANSFIELD, OHIO

GORMAN-RUPP OF CANADA LIMITED • ST. THOMAS, ONTARIO, CANADA

Printed in U.S.A.

S/N 1049981 Up
PUMP ISSUE 2

PARTS LIST
Pump Model RS3A32-B

If your pump serial number is followed by an "N", your pump is **NOT** a standard production model. Contact the Gorman-Rupp Company to verify part numbers.

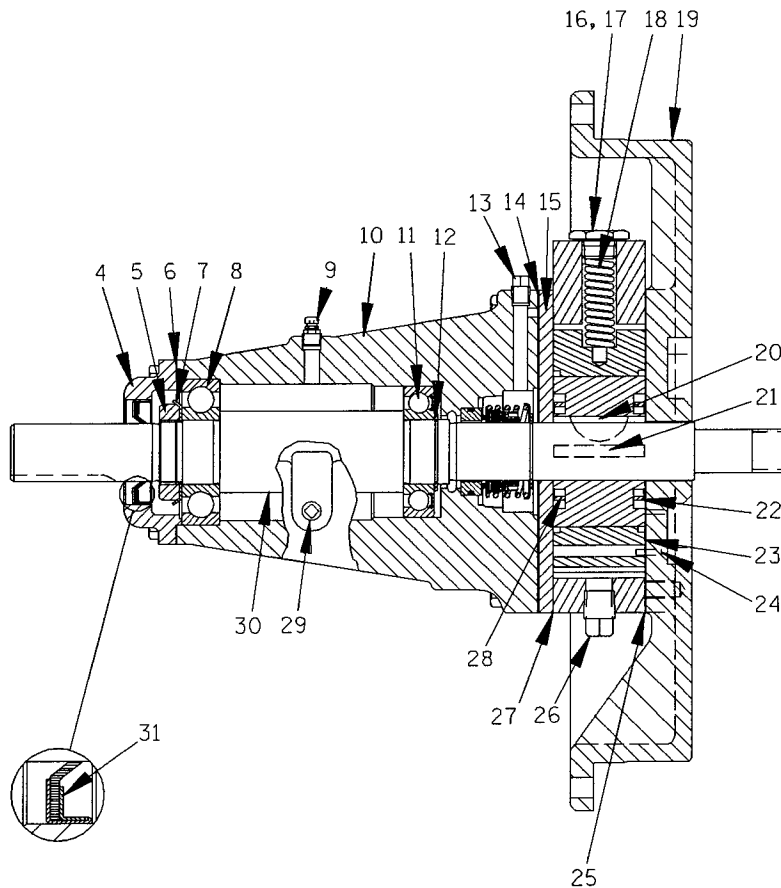
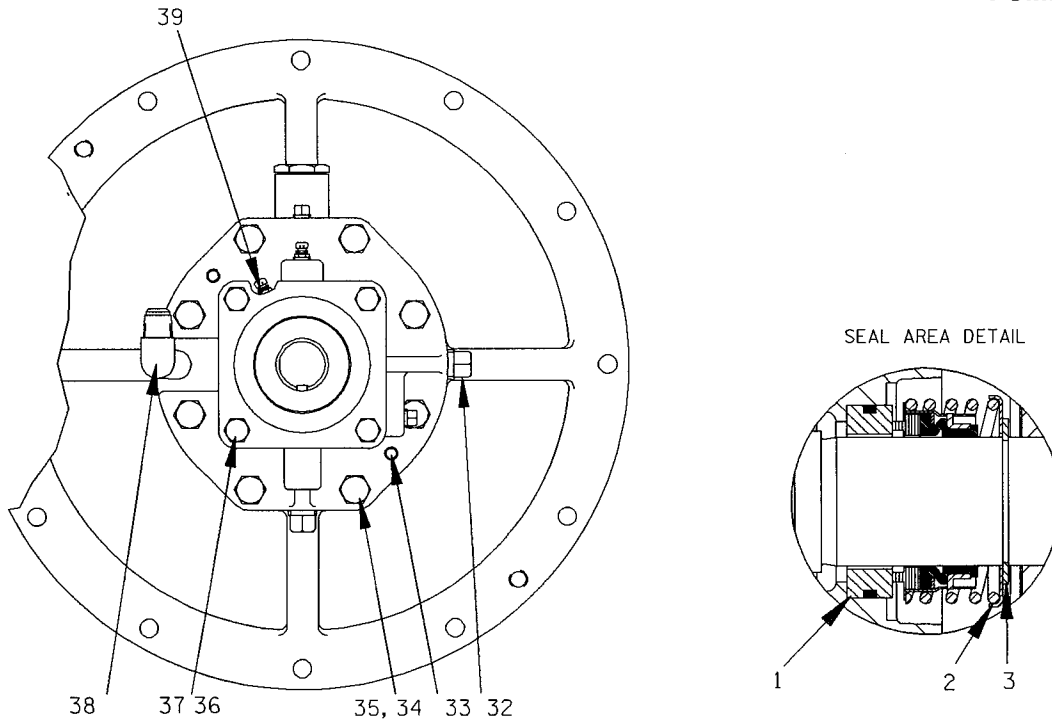
ITEM NO.	PART NAME	PART NUMBER	MAT'L CODE	QTY	ITEM NO.	PART NAME	PART NUMBER	MAT'L CODE	QTY
1	PUMP CASING	W01140-03	10140	1	22	IMPELLER NUT	K75776	15111	1
2 *	IMPELLER	K76519	13040	1	23	LOCKWASHER	23962-506	-----	1
3 *	SHAFT KEY	N0406	15990	1	24	PIPE PLUG	P02	15079	1
4	BRG HOUSING ASSY	R12051-10	-----	1	25 *	PUMP CASING GASKET	N14146	20000	1
5	PRIMING TUBE ASSY	N14466	-----	1	26	STUD	C0606	15991	12
6	MALE ELBOW	25812-011	-----	1	27	HEX NUT	D06	15991	12
7	PIPE PLUG	P02	15079	1	28	T-TYPE LOCKWASHER	AL04	17170	2
8	PIPE PLUG	P08	15079	1					
9 *	IMPELLER KEY	K79329-23	15990	1		NOT SHOWN:			
10 †	WEAR RING	NOT AVAILABLE		2	*	SUCT FLANGE GASKET	N14147	18000	1
11	SCREW	21513-314	-----	2	*	DISCH FLANGE GASKET	11589GA	18000	1
12	CHECK VALVE GUIDE	K74025	15991	1		SUCTION STICKER	6588AG	-----	1
13	CHECK VALVE SPRING	K74062	-----	1		NAME PLATE	2613DZ	13990	1
14	CHECK VALVE STEM	K74008	15991	1		DRIVE SCREW	BM#04-03	15990	2
15	HEX NUT	D04	15991	1		LUBE DECAL	38816-081	-----	1
16	T-TYPE LOCKWASHER	AL04	17170	1		INSTRUCTION TAG	38817-011	-----	1
17 *	CHECK VALVE O-RING	25152-335	-----	1		DISCHARGE STICKER	6588BJ	-----	1
18	DISCH CHECK VALVE	N14133	14000	1		OPTIONAL:			
19	PIPE PLUG	P06	15079	1		SUCTION FLANGE	25353-010	-----	1
20	PIPE PLUG	P06	15079	1		DISCHARGE FLANGE	25353-008	-----	1
21	PIPE PLUG	P02	15079	1		BRONZE IMPELLER	T06235-22	14150	1

* INDICATES PARTS RECOMMENDED FOR STOCK

Above Serial Numbers Do Not Apply To Pumps Made In Canada.

CANADIAN SERIAL NO. AND UP

† ALL ROTO-PRIME® IMPELLERS ARE TRIMMED AND INCLUDE WEAR RINGS AND GROOVE PINS. WEAR RINGS ARE NOT SOLD SEPARATELY.



S/N 1049981 Up
PUMP ISSUE 2

PARTS LIST
R12051-10 Bearing Housing Assembly

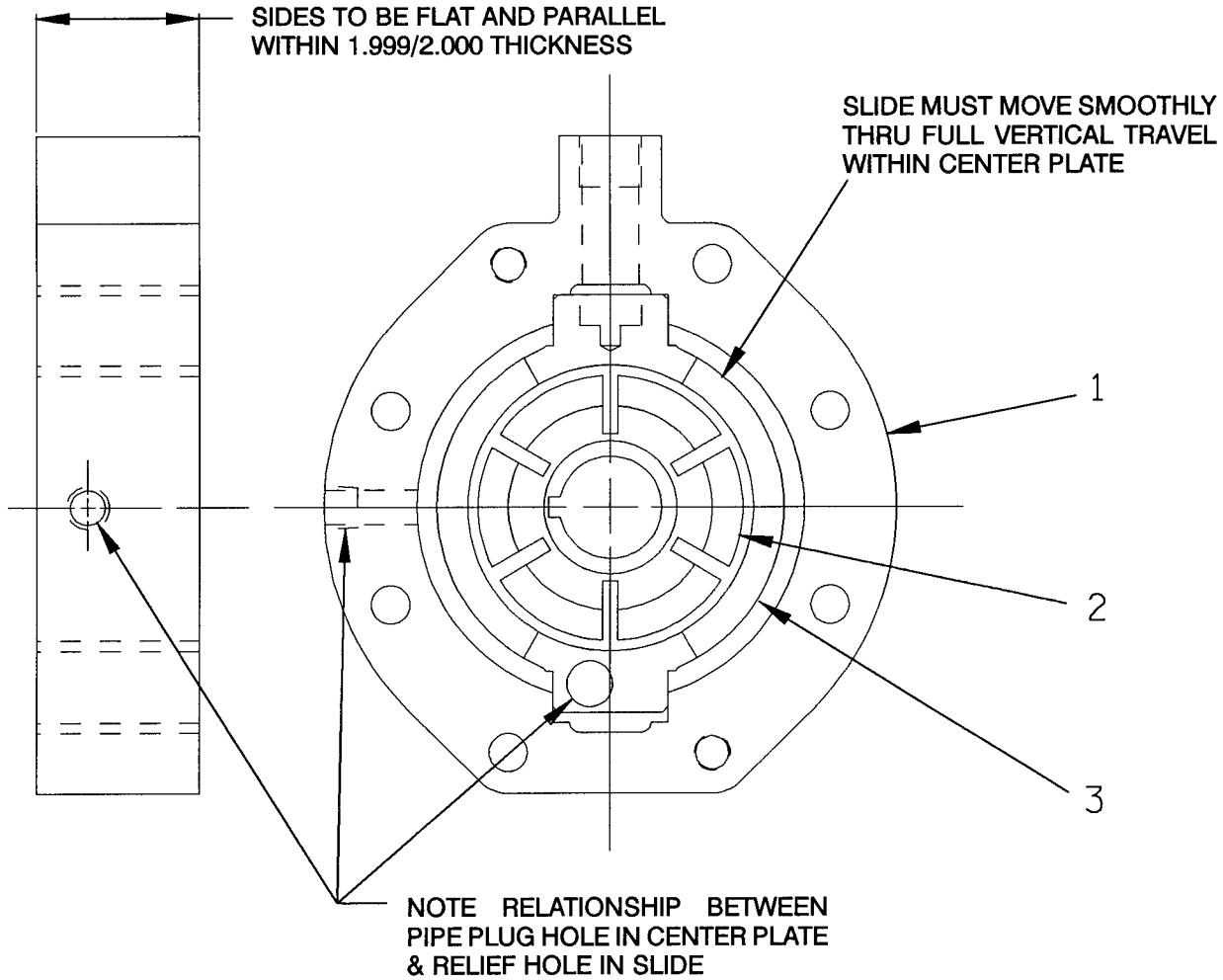
ITEM NO.	PART NAME	PART NUMBER	MAT'L CODE	QTY	ITEM NO.	PART NAME	PART NUMBER	MAT'L CODE	QTY
1 *	SEAL ASSEMBLY	25271-192	-----	1	25 †	CENTER PLATE GASKET	N14145	18010	2
2	SPRING HOLDER	25273-266	-----	1	26	PIPE PLUG	P06	15079	1
3	SEAL SNAP RING	S700	-----	1	27 *	CENTER PLATE GASKET	N14145	18010	1
4	BEARING CAP	N14130	10010	1	28	ROTOR BLADE SPACER	K74031	15030	1
5	BEARING LOCK NUT	S301	-----	1	29	PIPE PLUG	P02	15079	1
6 *	BEARING CAP GASKET	K74033	18000	1	30 *	IMPELLER SHAFT	R10123	15010	1
7	TAB WASHER	S302	-----	1	31 *	OIL SEAL	25227-230	-----	1
8 *	OUTBOARD BEARING	23282-008	-----	1	32	PIPE PLUG	P06	15079	1
9	AIR VENT	S2162	-----	1	33	DOWEL PIN	21133-076	-----	2
10	BEARING HOUSING	T02990	11010	1	34	HEX HD CAPSCREW	21632-614	-----	8
11 *	BALL BEARING	23257-012	-----	1	35	LOCKWASHER	J06	15991	8
12	BEARING RET RING	S248	-----	1	36	HEX HD CAPSCREW	B0504	15991	4
13	PIPE PLUG	P02	15079	1	37	LOCKWASHER	J05	15991	4
14 *	SPACER PLATE GASKET	N14144	18000	1	38	MALE ELBOW	25812-011	-----	1
15	SPACER PLATE	N14129	11010	1	39	AIR VENT	S2162	-----	1
16	PRESS REG SPRING CAP	K68064	15991	1					
17 *	SPRING CAP GASKET	K86067	-----	1		OPTIONAL:			
18 *	PRESS REG SPRING	K74120	-----	1	**	PRES REG SPRING	K74119	-----	1
19	BODY COVER	T02985A-01	10140	1		SST IMPELLER SHAFT	R10769	17080	1
20 *	ROTOR WOODRUFF KEY	K74041	15990	1		TEFLON SEAL ASSY	25271-743	-----	1
21 *	ROTOR BLADE	K79300-21	-----	6	●	OIL LUBE BEARING HOUSING ASSEMBLY	44143-102	-----	1
22	ROTOR BLADE SPACER	K74031	15030	1		--INBOARD BEARING	S310	-----	1
23	GROUP GRIND	LK05293	-----	1		--OUTBOARD BEARING	23275-008	-----	1
24 *	LOCATING PIN	21154-666	-----	1		--OIL CUP	26713-051	-----	1

* INDICATES PARTS RECOMMENDED FOR STOCK

† 2 GASKETS REQUIRED WHEN ROTOR OR SLIDE IS THICKER THAN CENTER PLATE.

● ALL OTHER COMPONENTS SAME AS STANDARD BEARING HOUSING ASSEMBLY.

** USE IN PLACE OF K74120 (ITEM 18) WITH IMPELLERS 10 1/2 INCHES OR SMALLER IN DIAMETER.



PARTS LIST
LK05293 Group Grind

ITEM NO.	PART NAME	PART NUMBER	MAT'L CODE	QTY
1	CENTER PLATE	NOT AVAILABLE	-----	1
2	ROTOR	NOT AVAILABLE	-----	1
3	SLIDE	NOT AVAILABLE	-----	1

NOTE: THE GROUP GRIND MUST BE REPLACED AS A COMPLETE UNIT: INDIVIDUAL PIECE PARTS ARE NOT SOLD SEPARATELY.

THE GORMAN-RUPP COMPANY • MANSFIELD, OHIO

GORMAN-RUPP OF CANADA LIMITED • ST. THOMAS, ONTARIO, CANADA

Printed in U.S.A.

**For U.S. and International Warranty Information,
Please Visit www.grpumps.com/warranty
or call:
U.S.: 419-755-1280
International: +1-419-755-1352**

**For Canadian Warranty Information,
Please Visit www.grcanada.com/warranty
or call:
519-631-2870**