



**PUMP MODEL
RD4A32-BAR**

**MANUAL
PART 2 of 3**

**PARTS
LIST
WITH
PERFORMANCE CURVE**

GORMAN-RUPP PUMPS

www.grpumps.com

Register your new
Gorman-Rupp pump online at
www.grpumps.com

Valid serial number and e-mail address required.

RECORD YOUR PUMP MODEL AND SERIAL NUMBER

Please record your pump model and serial number in the spaces provided below. Your Gorman-Rupp distributor needs this information when you require parts or service.

Pump Model: _____
Serial Number: _____

PERFORMANCE CURVE – SECTION A

RECORDING MODEL AND SERIAL NUMBERS

Please record the pump model and serial number in the spaces provided below and in the separate Installation/Operation Manual accompanying your pump. Your Gorman-Rupp distributor needs this information when you require parts or service.

Pump Model: _____

Serial Number: _____

WARRANTY INFORMATION

The pump warranty is provided as part of Gorman-Rupp's support program for customers who operate and maintain their equipment as described in this manual and other accompanying literature. Please note that should the equipment be abused or modified to change its performance beyond the original factory specifications, the warranty will become void and any claim will be denied.

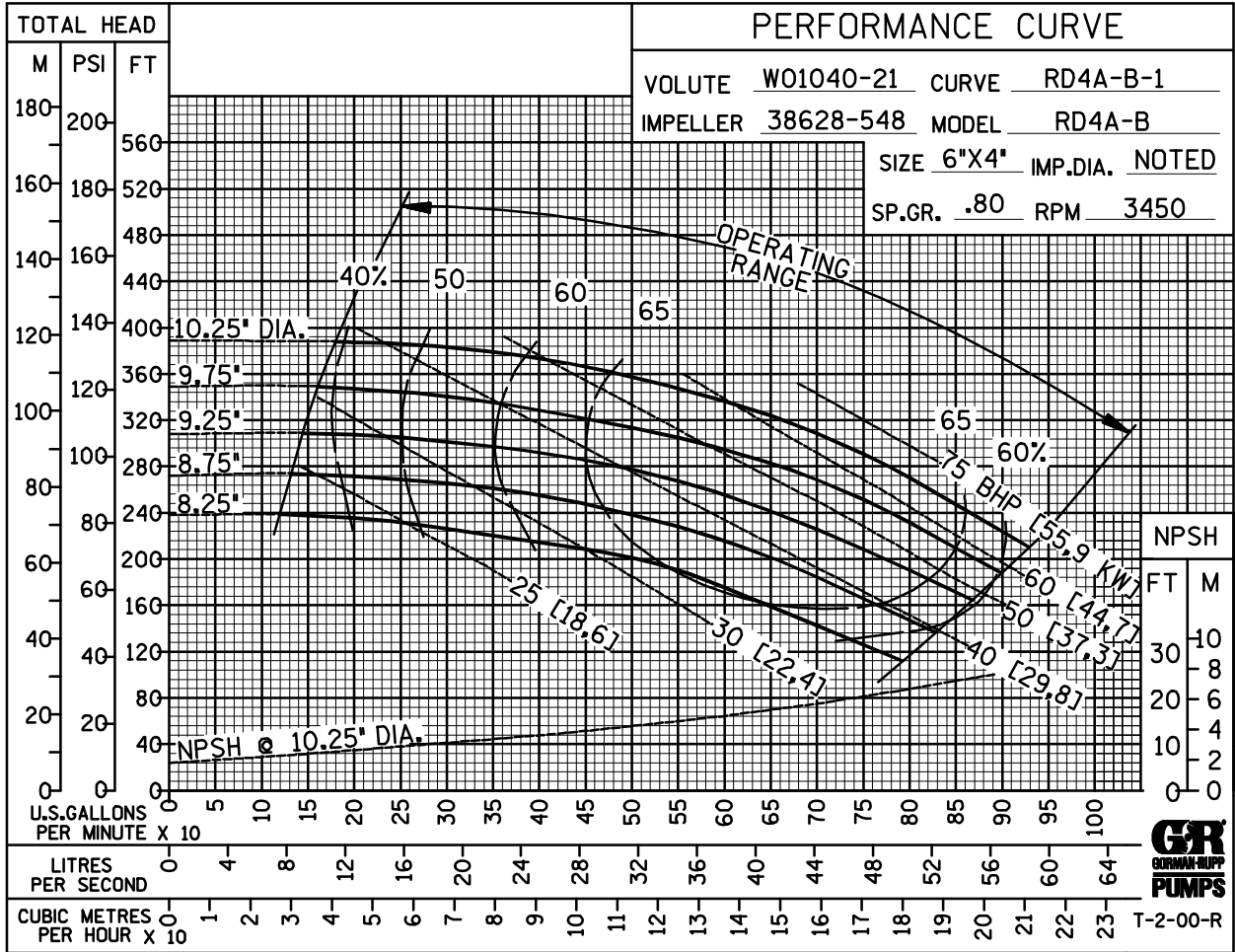
PERFORMANCE CURVE

The performance curve on the following page is based on 70°F (21°C) clear water at sea level, corrected to 0.80 specific gravity, with minimum suction lift. Since pump installations are seldom identical, your performance may be different due to such factors as viscosity, specific gravity, elevation, temperature, and impeller trim.

If your pump serial number is followed by an "N", your pump is **NOT** a standard production model. Contact the Gorman-Rupp Company to verify performance or part numbers.



Pump speed and operating condition points must be within the continuous performance range shown on the curve(s).

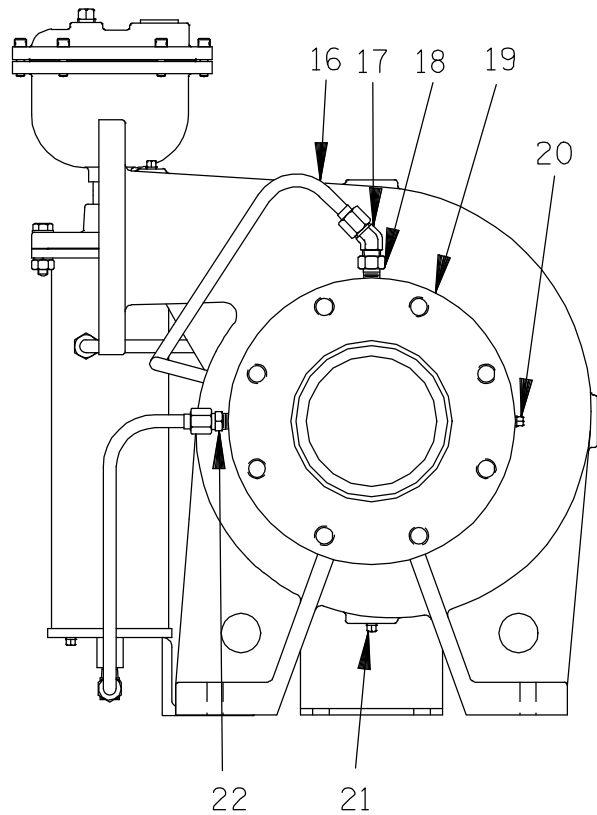
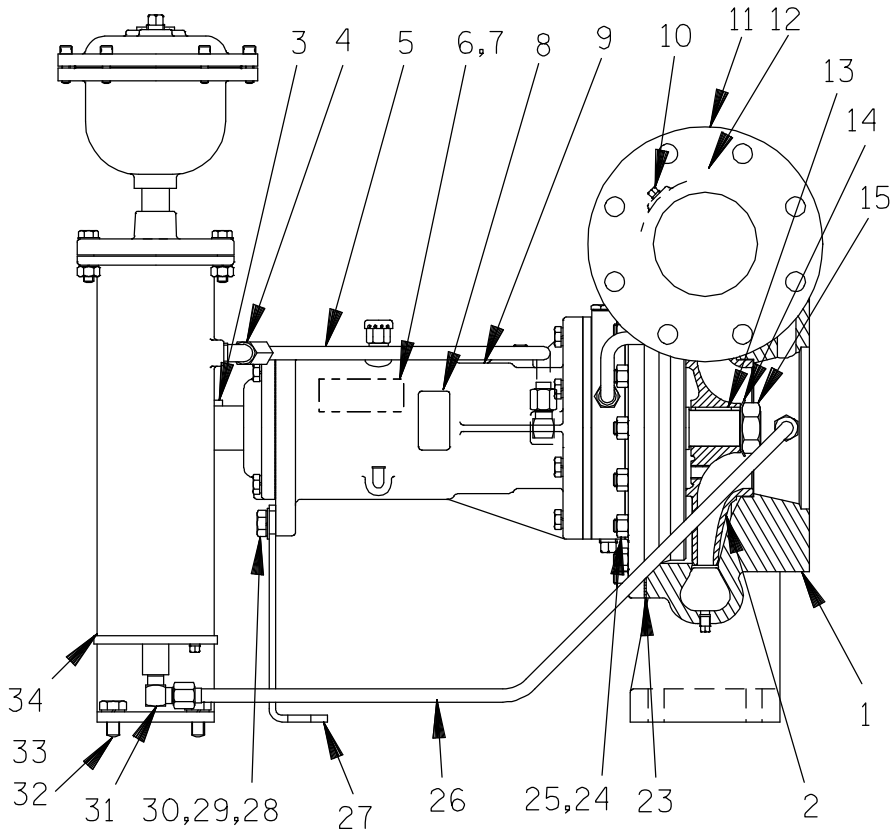


Performance Curve – Model RD4A32–BAR

This Page Intentionally Blank

RD4A32-BAR

S/N 1234195 Up
PUMP ISSUE 3



GORMAN-RUPP PUMPS

www.grpumps.com

RD4A32—BAR

B

S/N 1234195 Up
PUMP ISSUE 3

PARTS LIST Pump Model RD4A32—BAR

If your pump serial number is followed by an "N", your pump is **NOT** a standard production model. Contact the Gorman-Rupp Company to verify part numbers.

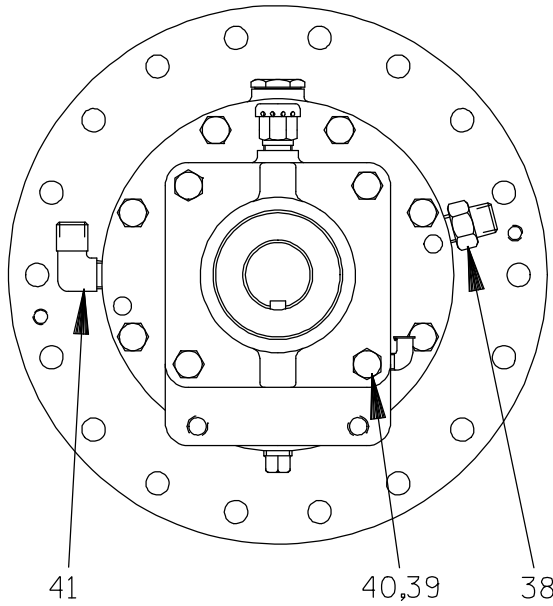
ITEM NO.	PART NAME	PART NUMBER	MAT'L CODE	QTY	ITEM NO.	PART NAME	PART NUMBER	MAT'L CODE	QTY
1	PUMP CASING	SEE NOTE BELOW		1	23 *	PUMP CASING GASKET	R11618	20000	1
2 *	IMPELLER	38628-548	13048	1	24	STUD	C0807	15991	18
3 *	SHAFT KEY	N0611	15990	1	25	HEX NUT	D08	15991	18
4	MALE ELBOW	25812-161	----	1	26	RETURN TUBE ASSY	46335-081	----	1
5	DISCH TUBE ASSY	46335-067	----	1	27	BEARING HSG SUPPORT	R12852-02	15990	1
6	NAME PLATE	2613DZ	13990	1	28	HEX HD CAPSCREW	B0805	15991	2
7	DRIVE SCREW	BM#04-03	17000	2	29	LOCKWASHER	J08	15991	2
8	LUBE DECAL	38816-074	----	1	30	FLAT WASHER	K08	15991	2
9	BRG HOUSING ASSY	44143-107	----	1	31	MALE ELBOW	25812-011	----	1
10	PIPE PLUG	P02	15079	1	32	HEX HD CAPSCREW	B0805	15991	2
11	DISCHARGE STICKER	6588BJ	----	1	33	LOCKWASHER	J08	15991	2
12	PIPE PLUG	P02	15079	1	34 ●	AIR RELEASE VALVE	GRP33-06B	----	1
13 *	IMPELLER KEY	K79330-23	15990	1	NOT SHOWN:				
14	LOCKWASHER	S302	----	1	* DISCH FLANGE GASKET	N14147	18000	1	
15	IMPELLER NUT	K76645	15111	1	* SUCTION FLANGE GSKT	1679G	18000	1	
16	SUCTION TUBE ASSY	46335-066	----	1	INSTRUCTION TAG	38817-011	----	1	
17	MALE ELBOW	25812-161	----	1	G-R DECAL	GR-03	----	1	
18	STRAINER	26841-094	----	1	OPTIONAL:				
19	SUCTION STICKER	6588AG	----	1	STEEL TUBING KIT	48263-520	----	1	
20	PIPE PLUG	P02	15079	1					
21	PIPE PLUG	P02	15079	1					
22	MALE CONNECTOR	25812-214	----	1					

* INDICATES PARTS RECOMMENDED FOR STOCK

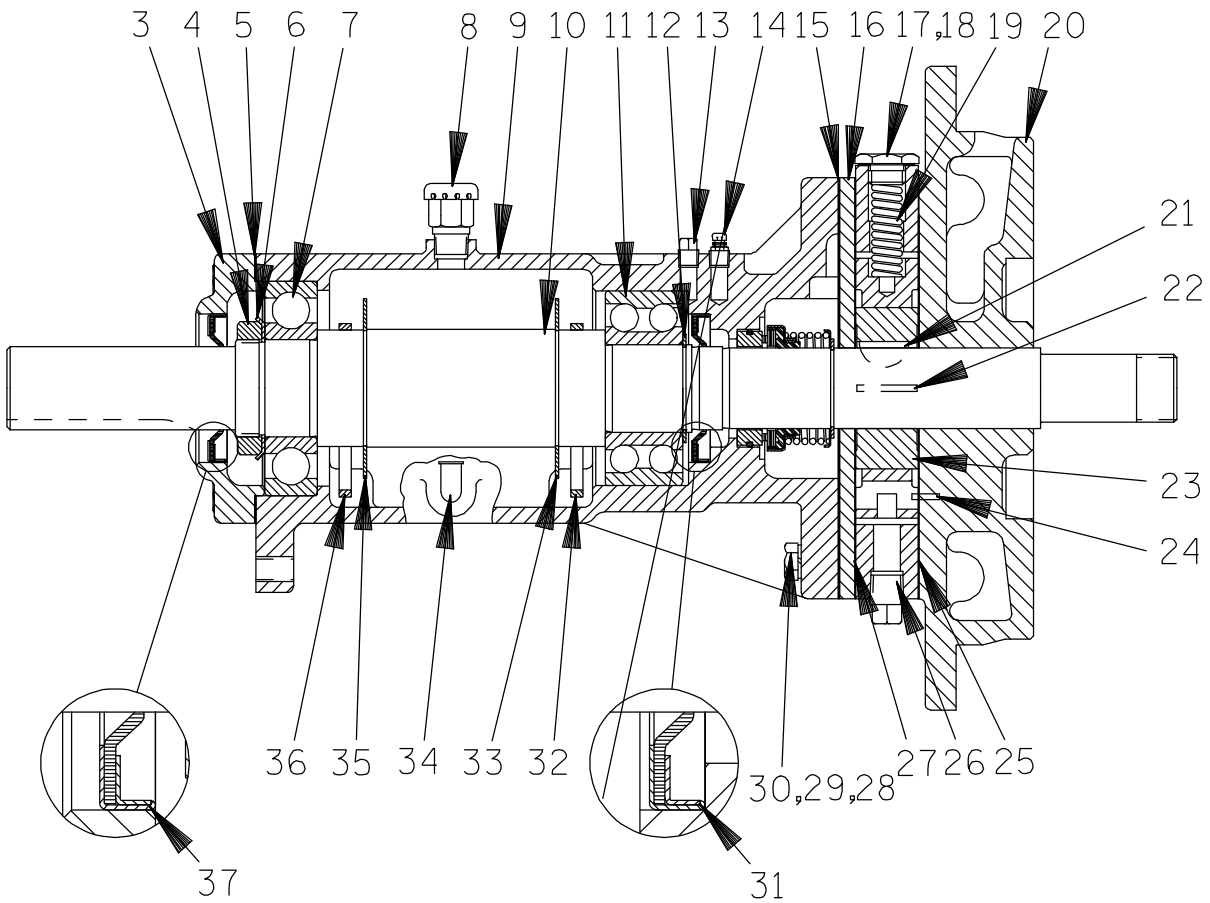
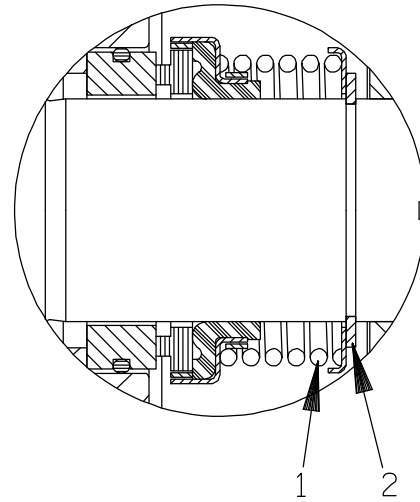
† ALL ROTO-PRIME[®] IMPELLERS ARE TRIMMED.

● SEE ACCOMPANYING LITERATURE FOR INDIVIDUAL PARTS, MAINTENANCE AND REPAIR.

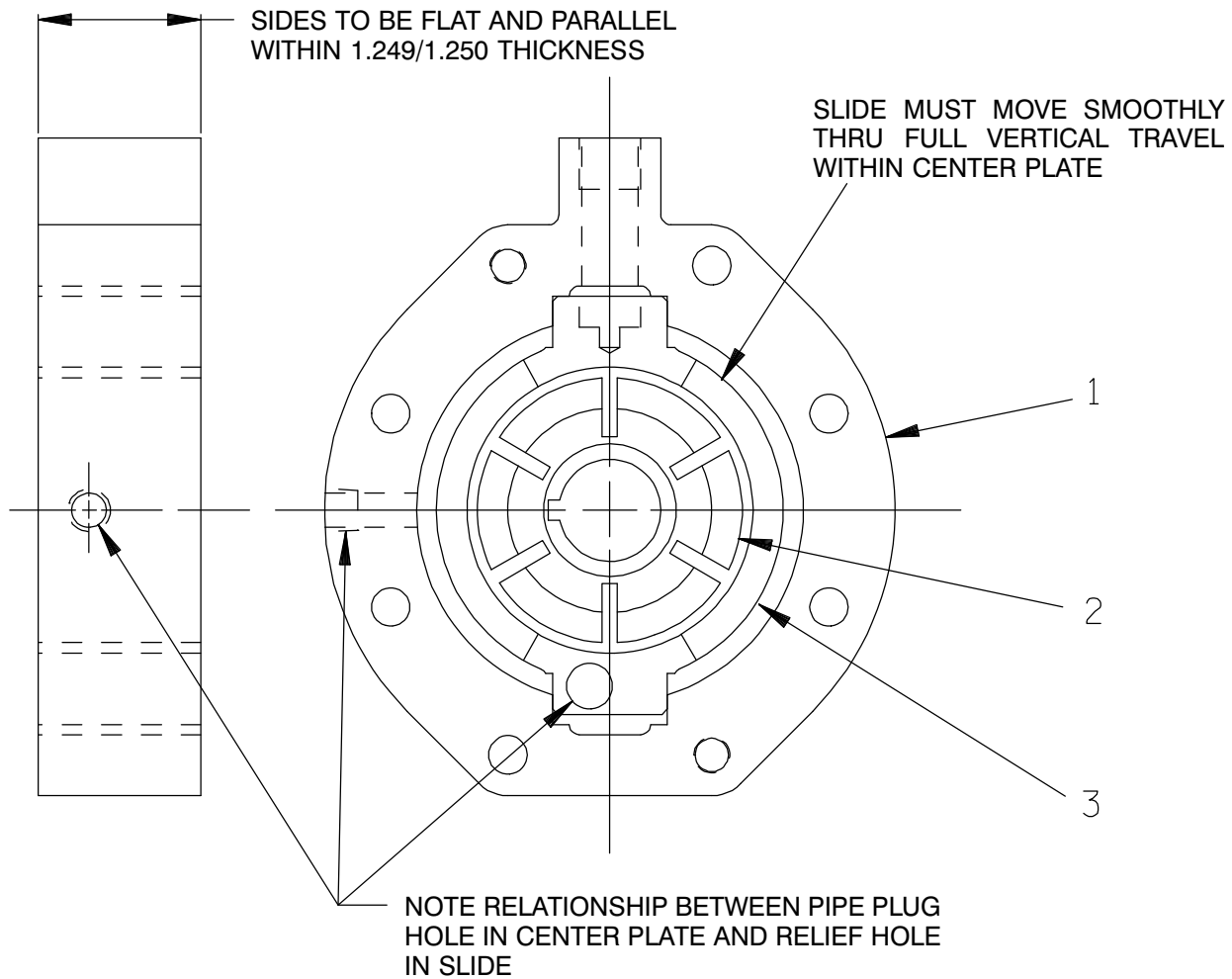
☞ INCLUDED WITH REPAIR 46474-344 ---- 1
PUMP CASING ASSY



SEAL AREA DETAIL



GORMAN-RUPP PUMPS



PARTS LIST
LK05268 Group Grind

ITEM NO.	PART NAME	PART NUMBER	MAT'L CODE	QTY
1	CENTER PLATE	NOT AVAILABLE	---	1
2	ROTOR	NOT AVAILABLE	---	1
3	SLIDE	NOT AVAILABLE	---	1

NOTE: THE GROUP GRIND MUST BE REPLACED AS A COMPLETE UNIT: INDIVIDUAL PIECE PARTS ARE NOT SOLD SEPARATELY.

GORMAN-RUPP PUMPS

**For U.S. and International Warranty Information,
Please Visit www.grpumps.com/warranty
or call:**

U.S.: 419-755-1280

International: +1-419-755-1352

**For Canadian Warranty Information,
Please Visit www.grcanada.com/warranty
or call:**

519-631-2870