

Use With: OM-03989
MR-03991

PUBLICATION NUMBER PL-03992-03
May 17, 1999



**PUMP MODEL
RD3A32-BAR**

**MANUAL
PART 2 of 3**

**PARTS
LIST
WITH
PERFORMANCE CURVE**

THE GORMAN-RUPP COMPANY • MANSFIELD, OHIO

www.grpumps.com

GORMAN-RUPP OF CANADA LIMITED • ST. THOMAS, ONTARIO, CANADA

Printed in U.S.A.

© Copyright by the Gorman-Rupp Company

Register your new
Gorman-Rupp pump online at
www.grpumps.com

Valid serial number and e-mail address required.

RECORD YOUR PUMP MODEL AND SERIAL NUMBER

Please record your pump model and serial number in the spaces provided below. Your Gorman-Rupp distributor needs this information when you require parts or service.

Pump Model: _____
Serial Number: _____

PERFORMANCE CURVE – SECTION A

RECORDING MODEL AND SERIAL NUMBERS

Please record the pump model and serial number in the spaces provided below and in the separate Installation/Operation Manual accompanying your pump. Your Gorman-Rupp distributor needs this information when you require parts or service.

Pump Model: _____

Serial Number: _____

WARRANTY INFORMATION

The pump warranty is provided as part of Gorman-Rupp's support program for customers who operate and maintain their equipment as described in this manual and other accompanying literature. Please note that should the equipment be abused or modified to change its performance beyond the original factory specifications, the warranty will become void and any claim will be denied.

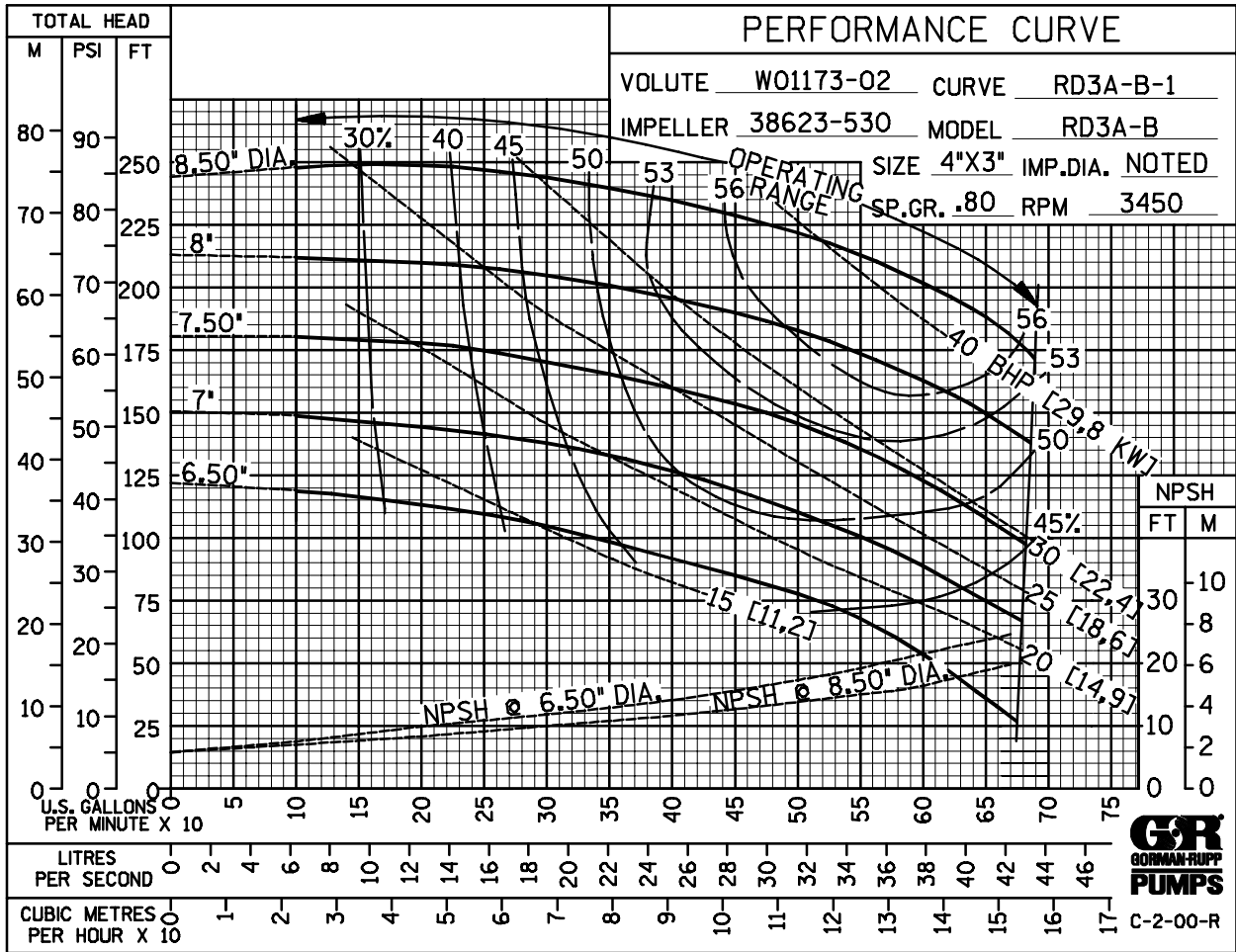
PERFORMANCE CURVES

The performance curve on the following page is based on 70° F (21° C) clear water at sea level, corrected to 0.80 specific gravity, with minimum suction lift. Since pump installations are seldom identical, your performance may be different due to such factors as viscosity, specific gravity, elevation, temperature, and impeller trim.

If your pump serial number is followed by an "N", your pump is **NOT** a standard production model. Contact the Gorman-Rupp Company to verify performance or part numbers.

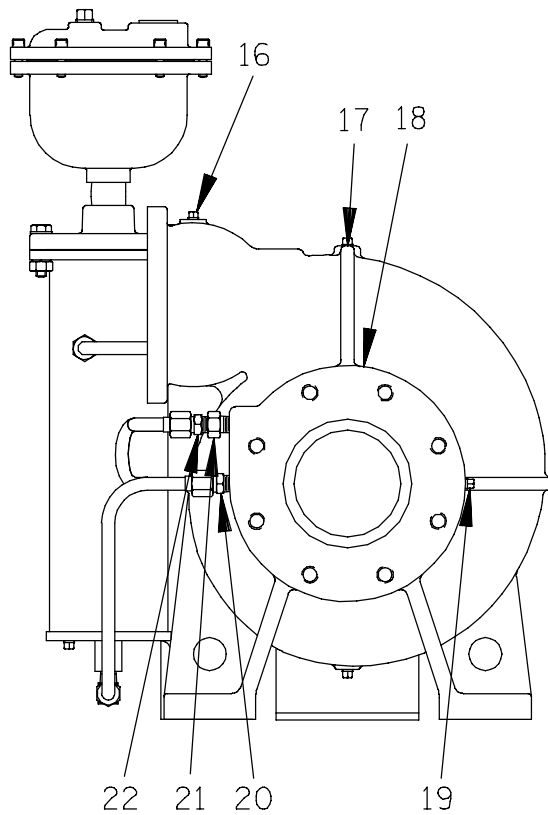
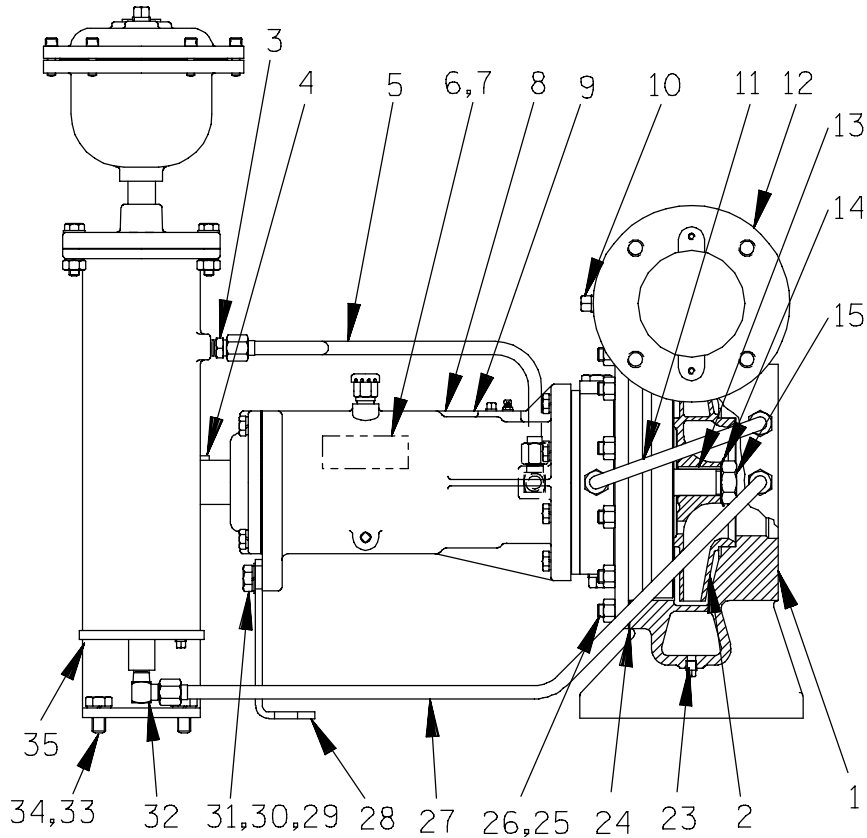


Pump speed and operating condition points must be within the continuous performance range shown on the curve(s).



Performance Curve – Model RD3A32-BAR

This Page Intentionally Blank



S/N 1281378 Up
PUMP ISSUE 3

PARTS LIST
Pump Model RD3A32—BAR

If your pump serial number is followed by an "N", your pump is **NOT** a standard production model. Contact the Gorman-Rupp Company to verify part numbers.

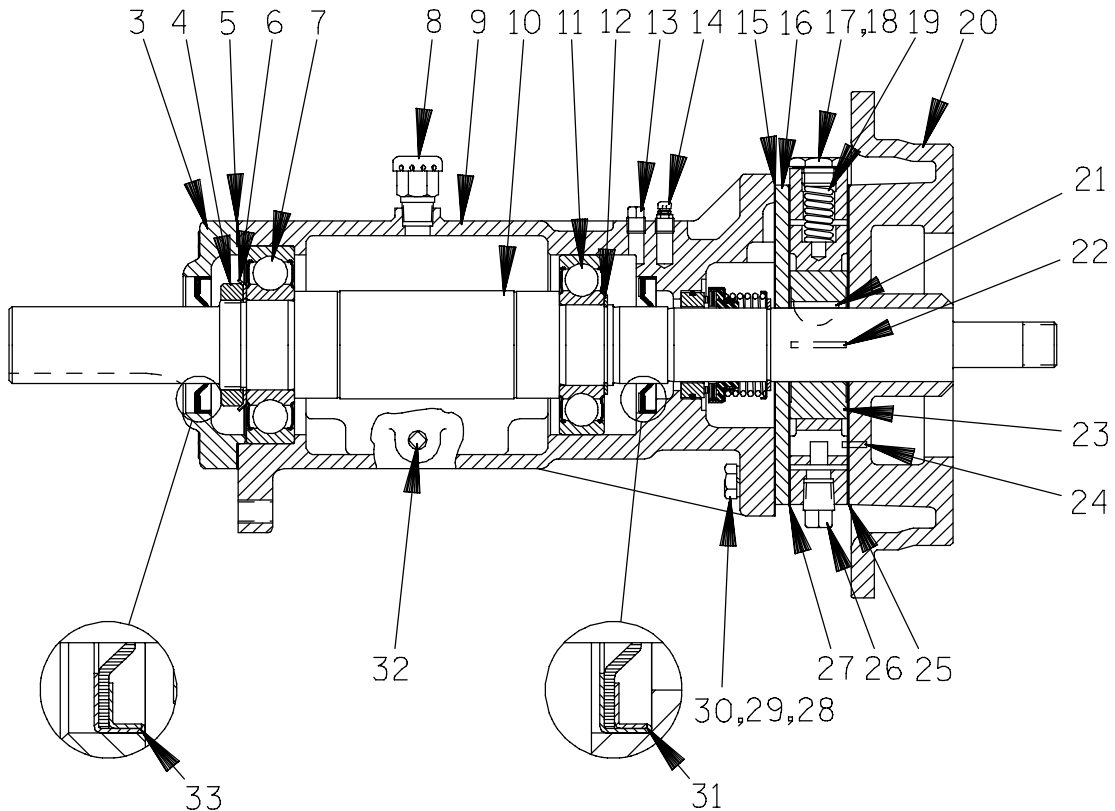
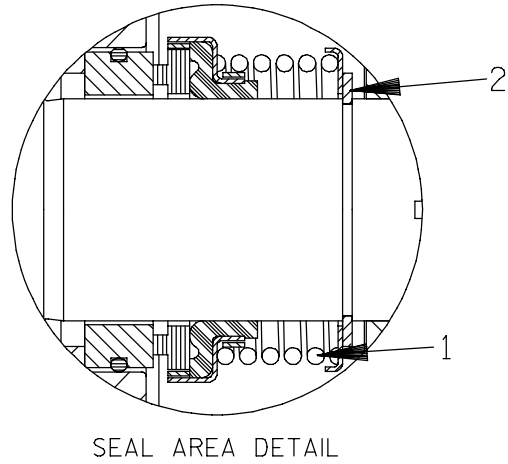
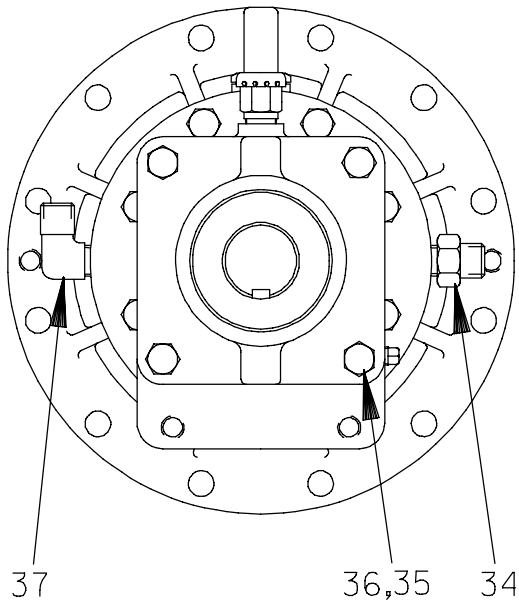
ITEM NO.	PART NAME	PART NUMBER	MAT'L CODE	QTY	ITEM NO.	PART NAME	PART NUMBER	MAT'L CODE	QTY
1	PUMP CASING	W01173-02	10140	1	24 *	PUMP CASING GASKET	R12531	20000	1
2 *	IMPELLER	38623-530	13048	1	25	STUD	C0807	15991	12
3	CONNECTOR	25812-214	----	1	26	HEX NUT	D08	15991	12
4 *	SHAFT KEY	N0611	15990	1	27	RETURN TUBE	46335-090	----	1
5	DISCH TUBE ASSY	46335-091	----	1	28	BEARING HSG SUPPORT	R12852-01	15990	1
6	NAME PLATE	2613DZ	13990	1	29	HEX HD CAPSCREW	B0805	15991	2
7	DRIVE SCREW	BM#04-03	15990	2	30	LOCKWASHER	J08	15991	2
8	LUBE DECAL	38816-081	----	1	31	FLAT WASHER	K08	15991	2
9	BRG HOUSING ASSY	44143-105	----	1	32	MALE ELBOW	25812-011	----	1
10	PIPE PLUG	P06	15079	1	33	HEX HD CAPSCREW	B0805	15991	2
11	SUCT TUBE ASSY	46335-076	----	1	34	LOCKWASHER	J08	15991	2
12	DISCHARGE STICKER	6588BJ	----	1	35 ●	AIR RELEASE VALVE	GRP33-06B	----	1
13 *	IMPELLER KEY	K79329-23	15990	1					
14	LOCKWASHER	23962-506	----	1		NOT SHOWN:			
15	IMPELLER NUT	K75776	15111	1		* DISCH CHK VALVE GSKT	11589GA	18000	1
16	PIPE PLUG	P02	15079	1		* DISCH FLANGE GASKET	N14147	18000	1
17	PIPE PLUG	P02	15079	1		INSTRUCTION TAG	38817-011	----	1
18	SUCTION STICKER	6588AG	----	1					
19	PIPE PLUG	P02	15079	1		OPTIONAL:			
20	CONNECTOR	25812-214	----	1		COMPANION FLANGES (SUCT AND DISCHARGE)			
21	STRAINER	26841-094	----	1		-COMPANION FLG KIT	K33850	----	1
22	CONNECTOR	25812-214	----	1		STEEL TUBING KIT	48263-512	----	1
23	PIPE PLUG	P02	15079	1					

* INDICATES PARTS RECOMMENDED FOR STOCK

† ALL ROTO-PRIME[®] IMPELLERS ARE TRIMMED.

● SEE ACCOMPANYING LITERATURE FOR INDIVIDUAL PARTS, MAINTENANCE AND REPAIR.

THE GORMAN-RUPP COMPANY ● MANSFIELD, OHIO



S/N 1281378 Up
PUMP ISSUE 3

PARTS LIST
44143—105 Bearing Housing Assembly

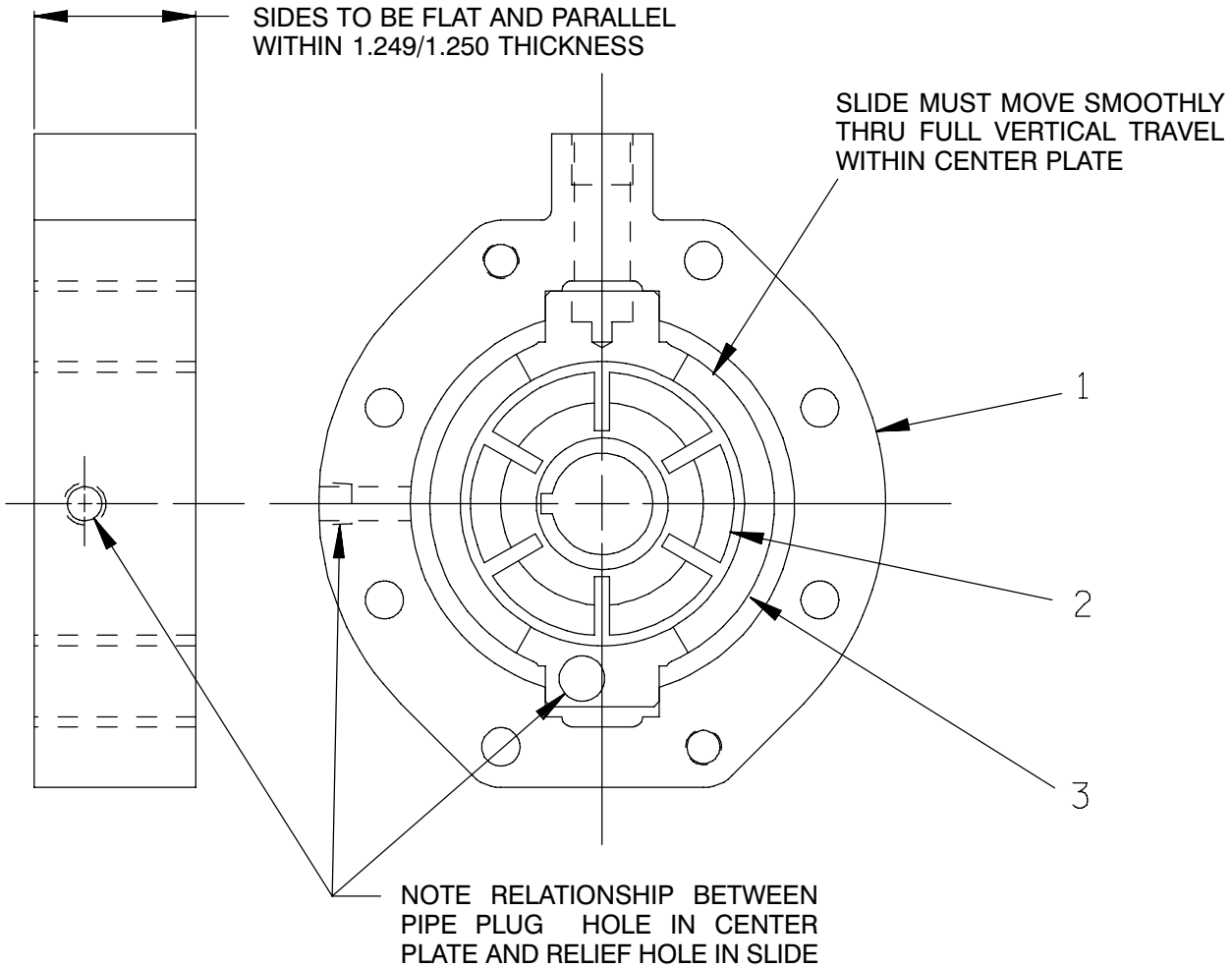
ITEM NO.	PART NAME	PART NUMBER	MAT'L CODE	QTY	ITEM NO.	PART NAME	PART NUMBER	MAT'L CODE	QTY
1 *	SEAL ASSEMBLY	25271—921	----	1	24 *	LOCATING PIN	21154—666	----	1
2	SEAL RETAINING RING	24124—243	----	1	25 †	CENTER PLATE GASKET	N14145	18010	2
3	BEARING CAP	R12770—02	10010	1	26	PIPE PLUG	P06	15079	1
4	BEARING LOCK NUT	23962—011	----	1	27 *	CENTER PLATE GASKET	N14145	18010	1
5 *	BEARING CAP GASKET	N18938—01	18000	1	28	HEX HD CAPSCREW	B0612	15991	8
6	TAB WASHER	23962—511	----	1	29	LOCKWASHER	J06	15991	8
7 *	OUTBOARD BEARING	23282—011	----	1	30	DOWEL PIN	21133—073	----	2
8	AIR VENT	S1703	----	1	31 *	OIL SEAL	25227—240	----	1
9	BEARING HOUSING	W01172—03	11010	1	32	PIPE PLUG	P02	15079	1
10 *	IMPELLER SHAFT	T08467—02	15010	1	33 *	OIL SEAL	25227—240	----	1
11 *	BALL BEARING	23282—010	----	1	34	CONNECTOR	25812—214	----	1
12	BEARING RET RING	24124—245	----	1	35	HEX HD CAPSCREW	B0605	15991	4
13	PIPE PLUG	P02	15079	1	36	LOCKWASHER	J06	15991	4
14	AIR VENT	S2162	----	1	37	MALE ELBOW	25812—011	----	1
15 *	SPACER PLATE GASKET	N14144	18000	1		OPTIONAL:			
16	SPACER PLATE	N14129—02	11010	1		SST IMPELLER SHAFT	T08467—02	17080	1
17	PRESS REG SPRING CAP	K68064	15991	1		TEFLON SEAL ASSY	25271—761	----	1
18 *	SPRING CAP GASKET	K86067	----	1		● OIL LUBE BEARING HOUSING ASSEMBLY			
19 *	PRESS REG SPRING	K76301	----	1			44143—110	----	1
20	BODY COVER	T07826—04	10140	1		--INBOARD BEARING	S1088	----	1
21 *	ROTOR WOODRUFF KEY	K61559	15990	1		--OUTBOARD BEARING	S1077	----	1
22 *	ROTOR BLADE	K79300—22	----	6		--OIL CUP	26713—051	----	1
23	GROUP GRIND	LK05418	----	1					

* INDICATES PARTS RECOMMENDED FOR STOCK

† 2 GASKETS REQUIRED WHEN ROTOR OR SLIDE IS THICKER THAN CENTER PLATE.

● ALL OTHER COMPONENTS SAME AS STANDARD BEARING HOUSING ASSEMBLY.

THE GORMAN-RUPP COMPANY ● MANSFIELD, OHIO



PARTS LIST
LK05418 Group Grind

ITEM NO.	PART NAME	PART NUMBER	MAT'L CODE	QTY
1	CENTER PLATE	NOT AVAILABLE	---	1
2	ROTOR	NOT AVAILABLE	---	1
3	SLIDE	NOT AVAILABLE	---	1

NOTE: THE GROUP GRIND MUST BE REPLACED AS A COMPLETE UNIT: INDIVIDUAL PIECE PARTS ARE NOT SOLD SEPARATELY.

THE GORMAN-RUPP COMPANY • MANSFIELD, OHIO

**For U.S. and International Warranty Information,
Please Visit www.grpumps.com/warranty
or call:
U.S.: 419-755-1280
International: +1-419-755-1352**

**For Canadian Warranty Information,
Please Visit www.grcanada.com/warranty
or call:
519-631-2870**