

## Basic



# Internal Gear Type Positive Displacement Pump



## DESCRIPTION

Internal gear pumps are high quality units capable of 15 ft. (5 m.) of lift and smooth, consistent flow. This pump features a type 21 seal for pressures up to 150 psi (Bar) and flows up to 12 gpm (0.8 lps) with a maximum viscosity of 1500 SSU.

Cast iron gear pumps are reliable, cost-effective and low maintenance. For use with non-flammable liquids compatible with pump component materials.



## PUMP SPECIFICATIONS

**Basic Construction:** Gray Iron.

**Rotor and Idler:** High Strength Iron.

**Bushings:** Carbon Graphite.

**Idler Pin:** Hardened Steel.

**Shaft:** Steel.

**Seal:** Type 21, Mechanical Self Lubricated. Carbon Rotating Face. Ceramic Stationary Face. Fluorocarbon Elastomers (DuPont Viton or Equivalent).

Maximum Temperature of Liquid Pumped 300°F (149°C).

**Gaskets:** Synthetic Fiber w/Nitrile Binder.

**O-Rings:** Fluorocarbon (DuPont Viton or Equivalent).

**Pressure Relief Valve:** Ductile Iron.

Pressure Setting: 75 PSI (5 BAR).



SPECIFICATIONS			
Model	Ship Wt. (Approx.)	SuctxDisch. (NPT)	Driver
GMS1DE3 /40C70A	19 lbs. 8,6 kg.	1" x 1"	User Supplied.



## GORMAN-RUPP PUMPS

www.grpumps.com

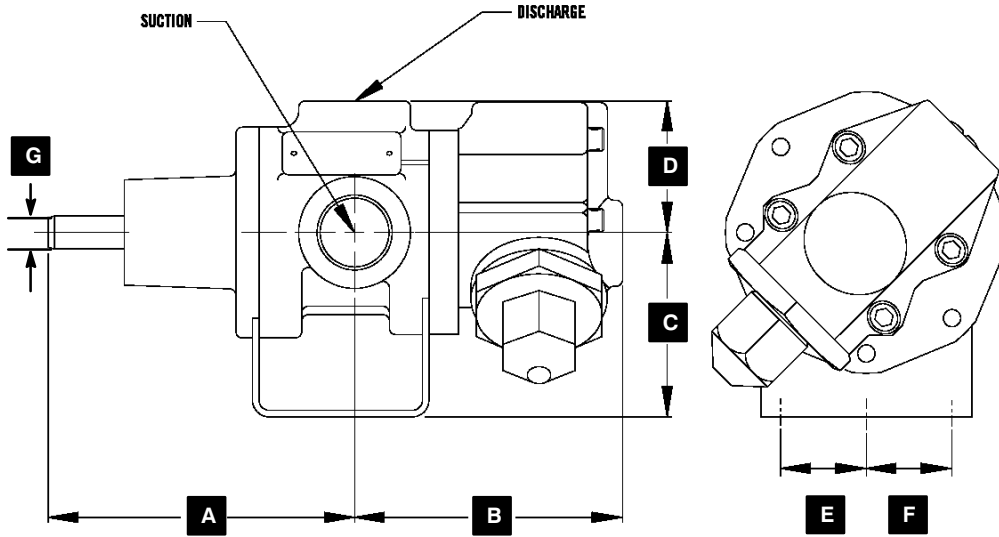
Specifications Subject to Change Without Notice

Printed in U.S.A.

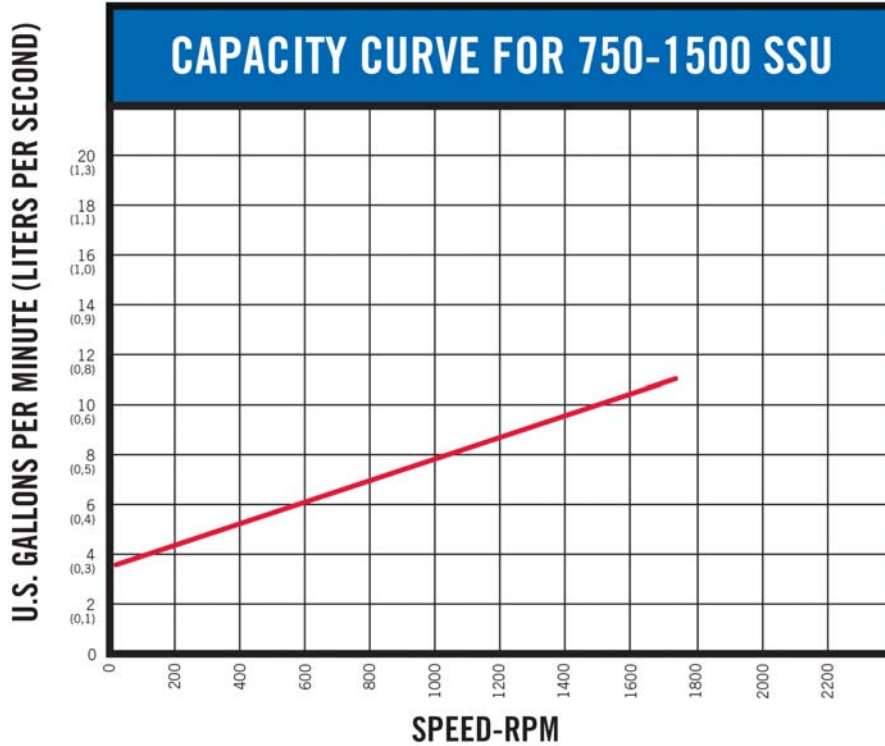
**Specification Data**

SECTION 525, PAGE 30

**APPROXIMATE DIMENSIONS**



DIMENSIONS									
MODEL	A	B	C	D	E	F	G (Dia.)	Suct.	Disch.
GMS1DE3/40C70A	5.8 (147,3)	5.0 (127,0)	3.5 (88,9)	2.5 (63,5)	1.6 (40,6)	1.6 (40,6)	0.62 (15,7)	1" NPT	1" NPT



**GORMAN-RUPP PUMPS**

www.grpumps.com

Specifications Subject to Change Without Notice

Printed in U.S.A.