



APPROVED  
X-PROOF MOTORS FOR CLASS I,  
DIV. 1, GROUPS C&D LOCATIONS  
(X-Proof Version Only)



C/US  
Ordinary  
Location Only

# Submersible Pump Models

SFSC4B & SFSC4B-X

Size 4"

Equipped With



SF Series®

VARIOUS PATENTS APPLY

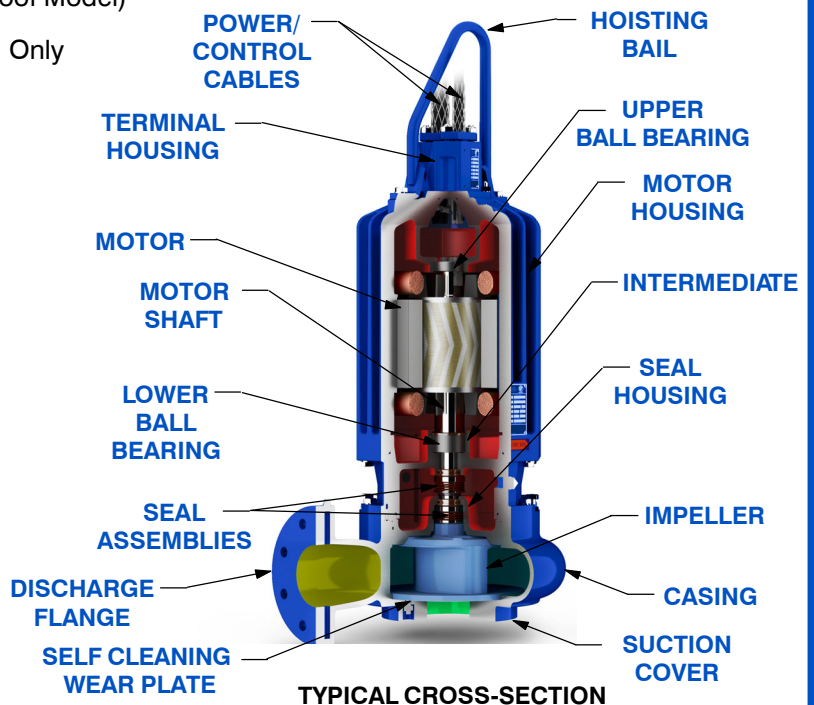
The Gorman-Rupp SF Series® pumps provide superior pumping efficiency while maintaining a 2.25 inch (57,1 mm) spherical solids pas-sage.

**Key Features:**

- Replaceable self cleaning wear plate
- NEMA premium efficiency motors
- Externally adjustable face clearance
- Press-fit motor with finned motor housing provides superior motor cooling, even in a submersed state, resulting in increased motor life
- NEMA Class H motor insulation
- Easy, in-the-field cable changes
- Standard moisture detection in both the seal and motor chambers
- Factory Mutual (FM) Approved for Class I, Division I, Group C and D Haz Loc Applications (X-Proof Model)
- CSA-C/US Approved for Ordinary Location Only (Standard Model)

**Optional Accessories:**

- Control Panel (Consult [SF Series Motor Data Reference](#) for Customer-Supplied Control Panel)
- Submersible Transducer or Ball Type Float Switches
- Slide Rail Installation Components
  - Guide shoe w/Rubber Seal
  - Base Elbow and Rail Brackets
- Trash Stand Installation Components
  - Trash Stand
  - Discharge Elbow



GORMAN-RUPP PUMPS

www.grpumps.com

Specifications Subject to Change Without Notice

Printed in U.S.A.

**PUMP DETAILS**

Pump Models	SFSC4B/SFSC4B-X		
Agency Approvals	Consult Factory		
Discharge Flange	4" ANSI w/ Flat Face		
Impeller Type / Material	Semi-Open Type, Continuous Vane Impeller / Hard Iron		
Self Cleaning Wear Plate	Hardened Alloy Steel		
Spherical Solids Handling	2.25" (57,1 mm) Non-Deformable Diameter		
Motor Housing (Including Seal Plate and Intermediate)	Gray Iron 30		
Pump Casing	Ductile Iron		
Motor Shaft/Shaft Sleeve	17- 4 PH Stainless Steel		
O-Rings	Buna-N and Fluorocarbon (DuPont Viton® or Equivalent)		
Bearings: Type/Lubrication	Upper	Single Row Ball/Permanent Lubrication	
	Lower	Double Row Ball/Permanent Lubrication	
External Hardware	303/304 Stainless Steel		
External Surface Protection	Epoxy Paint		
Seal Type	Tandem, Mechanical, Oil Lubricated Upper, Self-Lubricated Lower		
Sealing Faces: Rotating/Stationary	Upper	Carbon/Ceramic	
	Lower	Silicon Carbide/Silicon Carbide	
Seal Elastomers	Buna-N Upper, Fluorocarbon (DuPont Viton® or Equivalent) Lower		
Max. Liquid Temperature	104°F (40°C)		

**MOTOR DETAILS**

Speed	60 Hz, 1750 RPM			
Motor Design	Inverter-Duty Rated, Air-Filled Enclosure, Squirrel Cage, Induction Start			
Motor Efficiency Rating	NEMA Premium Efficiency (IEC IE3)			
Insulation	Class H, Rated 356°F (180°C)			
Max. Submergence	65 Feet (20 Meters)			
Min. Submergence	1/2 Motor Covered			
Max. Starts per Hour	10			
Max. Rated Output Power	15 HP (11,2kW)	20 HP (14,9kW)	24 (17,9 Kw)	
Amp Draw @ Max. Rated Power: Full Load/ Locked Rotor NEMA CODE ( )	208V/3P	46.8/416(L)	58.6/416(J)	
	230V/3P	42.4/376(L)	53/376 (J)	61.6/376(G)
	460V/3P	21.2/188(L)	26.5/188 (J)	30.8/188(G)
	575V/3P	17.0/150(L)	21.2/150 (J)	24.6/150(G)
Service Factor	1.15	1.15	1.15	
Efficiency: 100%/75%/50% Load	86%/87%/87%	93%/90%/90%	92%/92%/91%	
Power Factor: 100%/75%/50% Load	0.82/0.81/0.74	0.83/0.77/0.70	0.82/0.78/0.67	
Field Connection	Across-the-Line			
Moisture Sensor	Single Probe Monitoring Both Seal and Motor Chambers			
Thermal Overload	One Thermostat per Phase, Self-Resetting			

**CABLE DETAILS**

Power Cable	Voltage	230/460V	575V
	No. Cables/Conductors per	1/6	1/6
	Gauge	(3) 4 AWG PWR & (3) 8 AWG GND/GC	(3) 8 AWG PWR & (3) 10 AWG GND/GC
	Type/Material	GGC	GGC/CPE
Control Cable	Nominal Cable O.D.	1.19" (23,1 mm)	0.97" (19,0 mm)
	No. Cables/Conductors per	1/4	
	Gauge	14 AWG	
	Type/Material	SOOW/CPE	
Nominal Cable O.D.	0.61" (15,5 mm)		
Length	32 Feet (10 Meters) Standard, 164 Feet (50 Meters) Maximum		



**GORMAN-RUPP PUMPS**

www.grpumps.com

Specifications Subject to Change Without Notice

Printed in U.S.A.

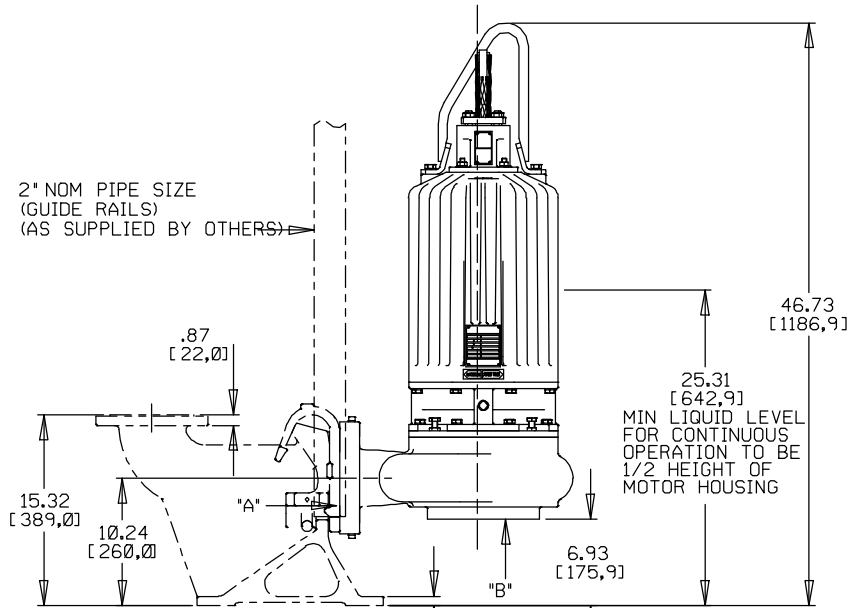
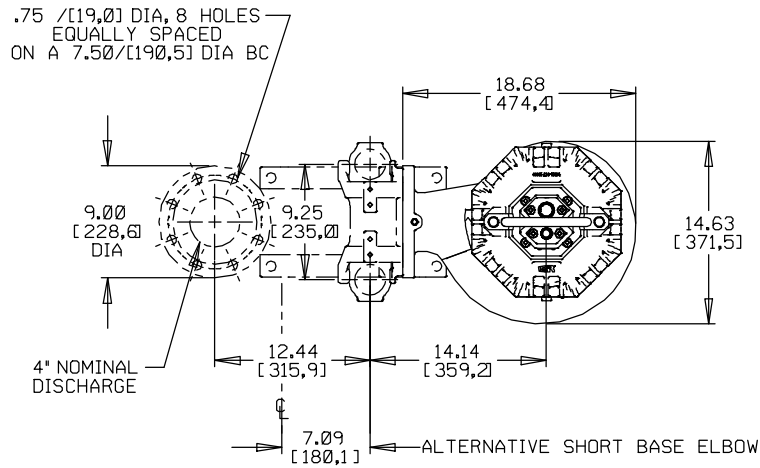
**Specification Data**

SECTION 133, PAGE 1035.2

**MODELS SFSC4B  
SLIDE RAIL VERSION  
APPROXIMATE  
DIMENSIONS and WEIGHTS**

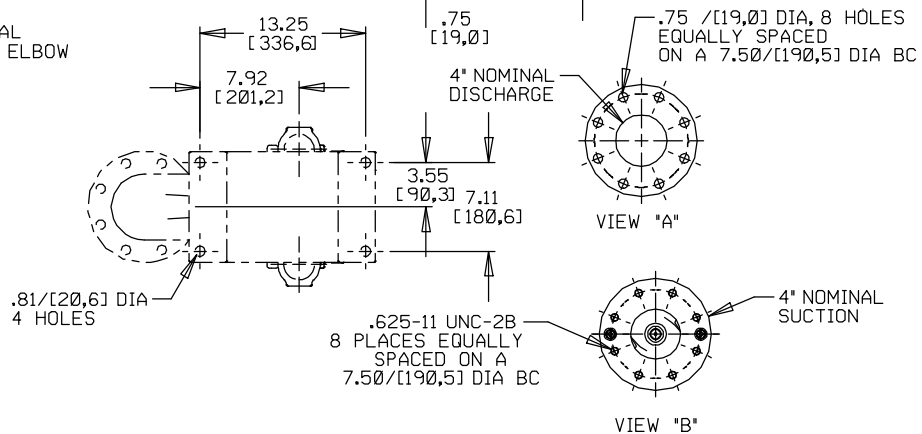
**NET WT:** (pump only)  
(comb. cable wt. per meter [3.2 ft.])  
**SHIPPING WT:** (pump only)  
**CRATE SIZE:**

**670 LBS. [303 KG.]**  
**3.4 LBS. [1,54 KG.]**  
**710 LBS. [322,1 KG.]**  
**25.1 CU. FT. [0,71 CU. M.]**



SHOWN WITH OPTIONAL  
RAIL KIT AND BASE ELBOW

DIMENSIONS:  
INCHES  
[MILLIMETERS]



**GORMAN-RUPP PUMPS**

www.grpumps.com

Specifications Subject to Change Without Notice

Printed in U.S.A.

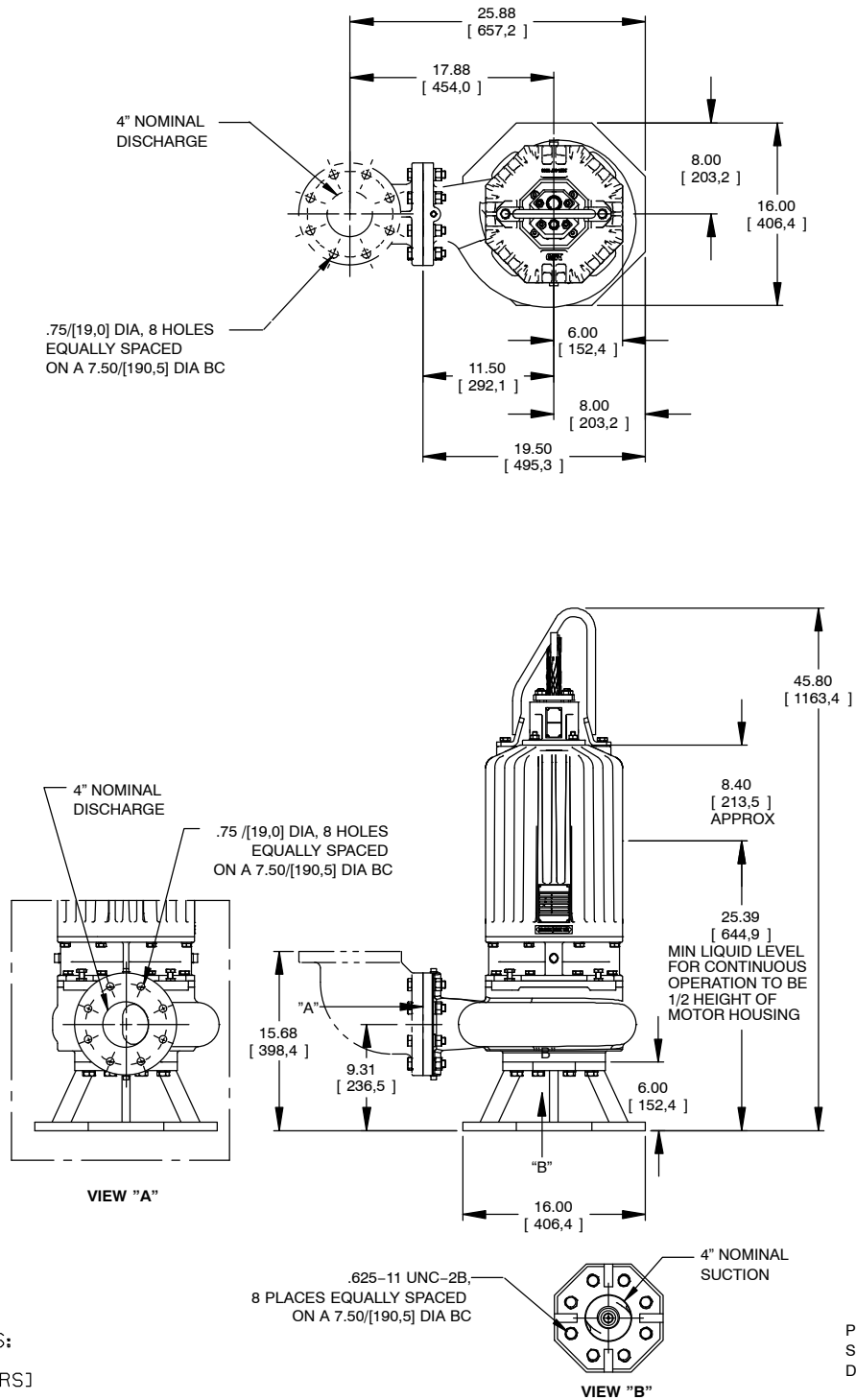
**Specification Data**

**SECTION 133, PAGE 1035.3**

**MODELS SFSC4B  
TRASH VERSION  
APPROXIMATE  
DIMENSIONS and WEIGHTS**

**NET WT:** (pump only)  
(comb. cable wt. per meter [3.2 ft.])  
**SHIPPING WT:** (pump only)  
**CRATE SIZE:**

**720 LBS. [326,6 KG.]**  
**3.4 LBS. [1,54 KG.]**  
**760 LBS. [344,7 KG.]**  
**26.8 CU. FT. [0,76 CU. M.]**



DIMENSIONS:  
INCHES  
[MILLIMETERS]

PUMP W/ TRASH STAND  
SHOWN WITH OPTIONAL  
DISCHARGE ELBOW

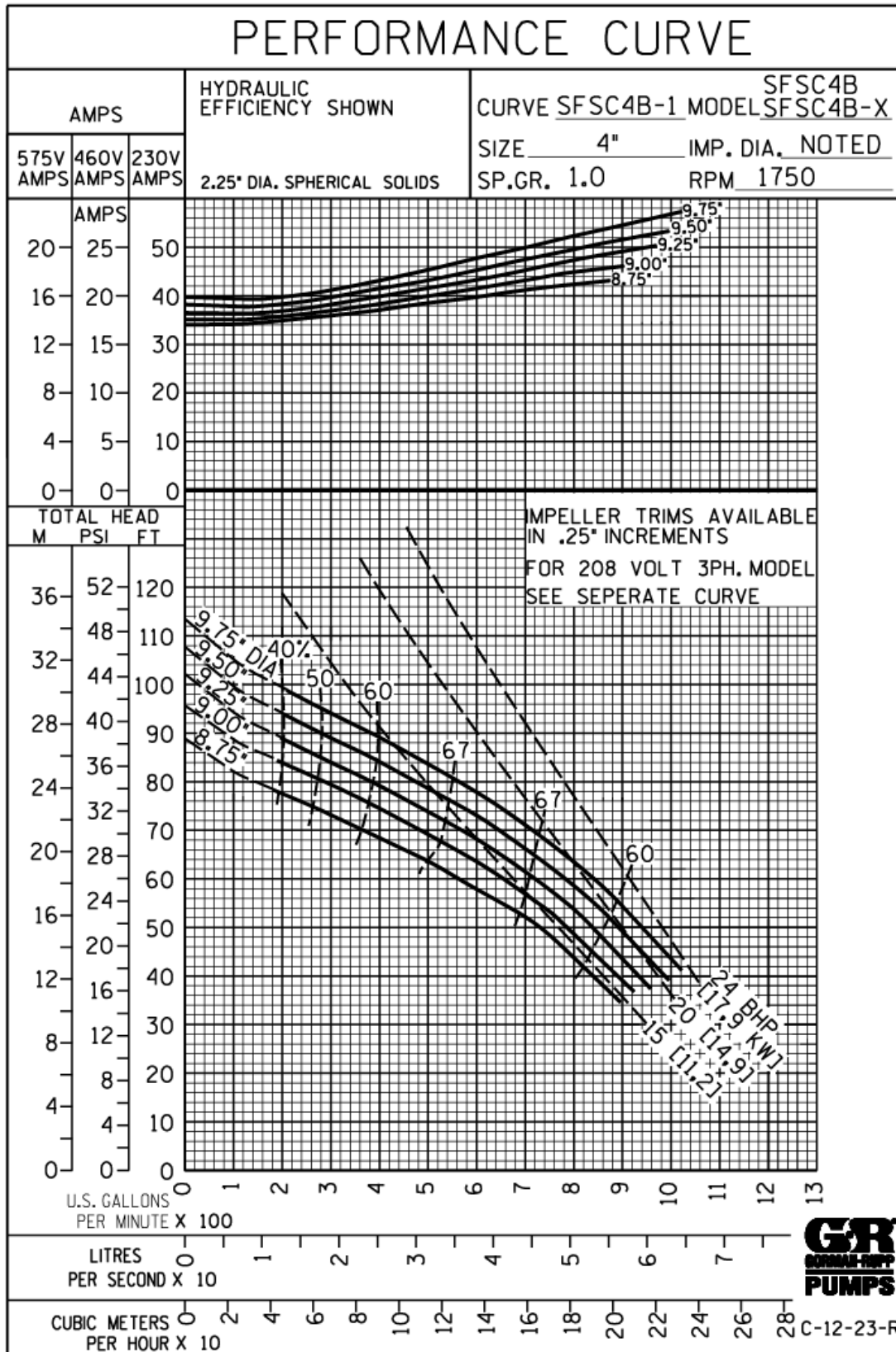


**GORMAN-RUPP PUMPS**

www.grpumps.com

Specifications Subject to Change Without Notice

Printed in U.S.A.



GORMAN-RUPP PUMPS

www.grpumps.com

Specifications Subject to Change Without Notice

Printed in U.S.A.