

Electric Motor Driven Stainless Steel Fitted Submersible Pump Model S2E18 Size 2"



PUMP SPECIFICATIONS

- Suction Casing:** Stainless Steel CD4MCu;
Maximum Operating Pressure 47 psi (324 kPa).*
- Impeller:** Stainless Steel CD4MCu.
- Seal Plate:** Stainless Steel CD4MCu.
- Intermediate:** Aluminum Alloy 356-T6.
- Motor Housing:** Aluminum Alloy 356-T6.
- Motor Shaft:** Stainless Steel 17-4 PH.
- Bearings:** Upper and Lower, Open Single Row Ball.
- Discharge Flange:** Aluminum Alloy 356-T6.
- Gaskets:** Cork with Nitrile Binder (NC710).
- O-Rings:** Buna-N.
- Wetted Hardware:** Stainless Steel 316.
- Strainer:** Stainless Steel CD4MCu; 52% Open Area,
0.375" (9,5 mm) Diameter Openings.
- Hoisting Bail:** Urethane Coated Steel.

Standard Equipment

NEMA Type 3R Rainproof Control Box. (See Section 130, Pages 80 and 85.)
Provides On-Off, Circuit Breaker and Motor Overload Protection.

Optional Equipment

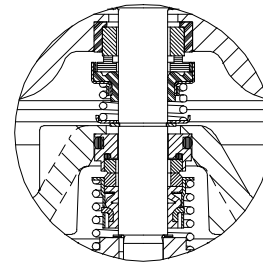
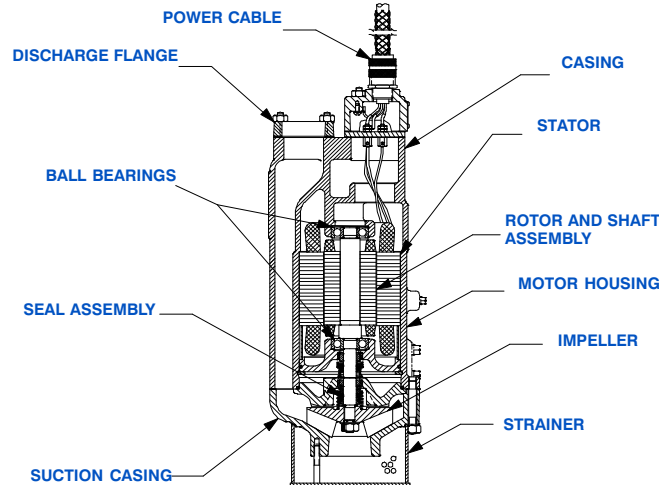
- Liquid Level Control:** (See Sec. 130, Page 150.)
 - a. Turtle Type Pressure Activated Level Switch.
 - b. Float Activated Level Switch.

Staging Adapter Kit.

MOTOR/CABLE SPECIFICATIONS

- Motor:** Oil Filled Enclosure. 3.5 H.P.; 3450 R.P.M.; 60 Hz.
Three Phase, 200/230/460/575 Volt, 12.4/10.8/5.4/4.3
Full Load AMPS, 3.7 kW (Max.)
- Power Cable:** (200V/230V/460V) 4 Wire; Type SO/SOW/SOOW/SEOW/
SEOOV; 10 AWG; 3 Power Conductors, Plus 1 Ground.
(575V) 4 Wire; Type SO/SOW/SOOW/SEOW/SEOOV; 14 AWG; 3 Power
Conductors, Plus 1 Ground. Nominal Length 50 Feet (15 m) Standard.
(Specify Alternate Length at Time of Order.)
- Recommended Generator Size:** 6 kW Across the Line Start.

* Consult Factory for Applications Exceeding Maximum
Pressure and/or Temperature Indicated.



SEAL SPECIFICATIONS

Tandem, Oil Lubricated.

Upper: Type 21 Mechanical. Carbon Rotating Face. Ceramic Stationary Face. Buna-N Elastomers. Stainless Steel 18-8 Cage and Spring.

Lower: Type 2 Mechanical. Tungsten Carbide Rotating and Stationary Faces. Fluorocarbon Elastomers (DuPont Viton® or Equivalent). Stainless Steel 316 Cage, Spring and Stationary Seat.

Maximum Temperature of Liquid Pumped 122°F (50°C).*



GORMAN-RUPP PUMPS

www.grpumps.com

Specifications Subject to Change Without Notice

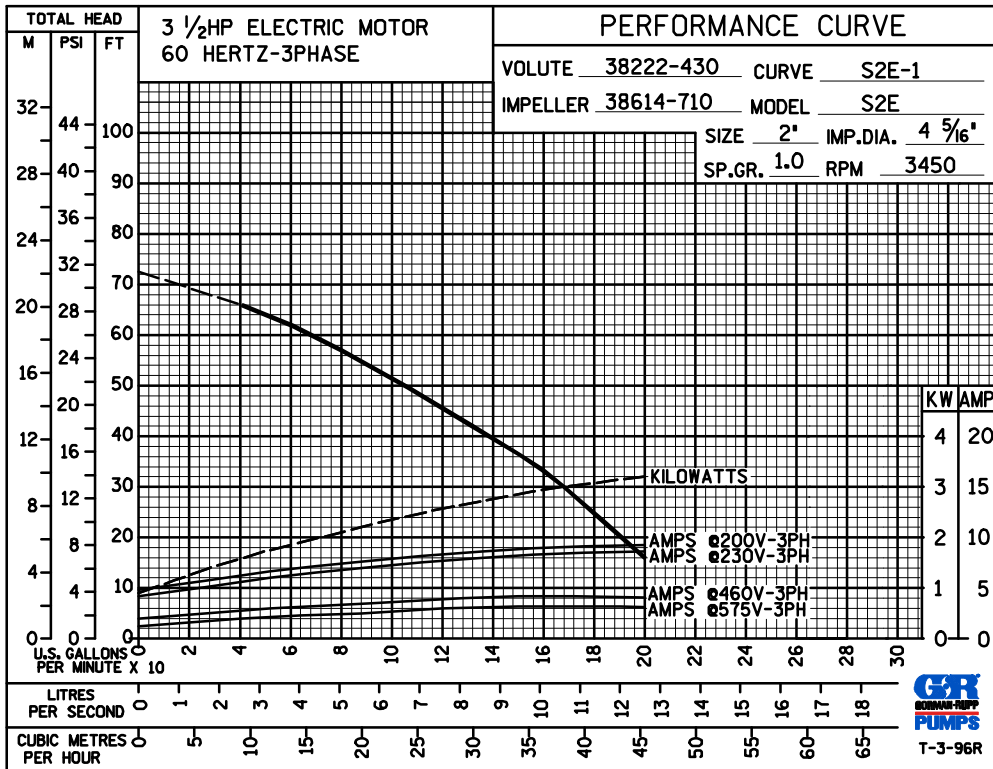
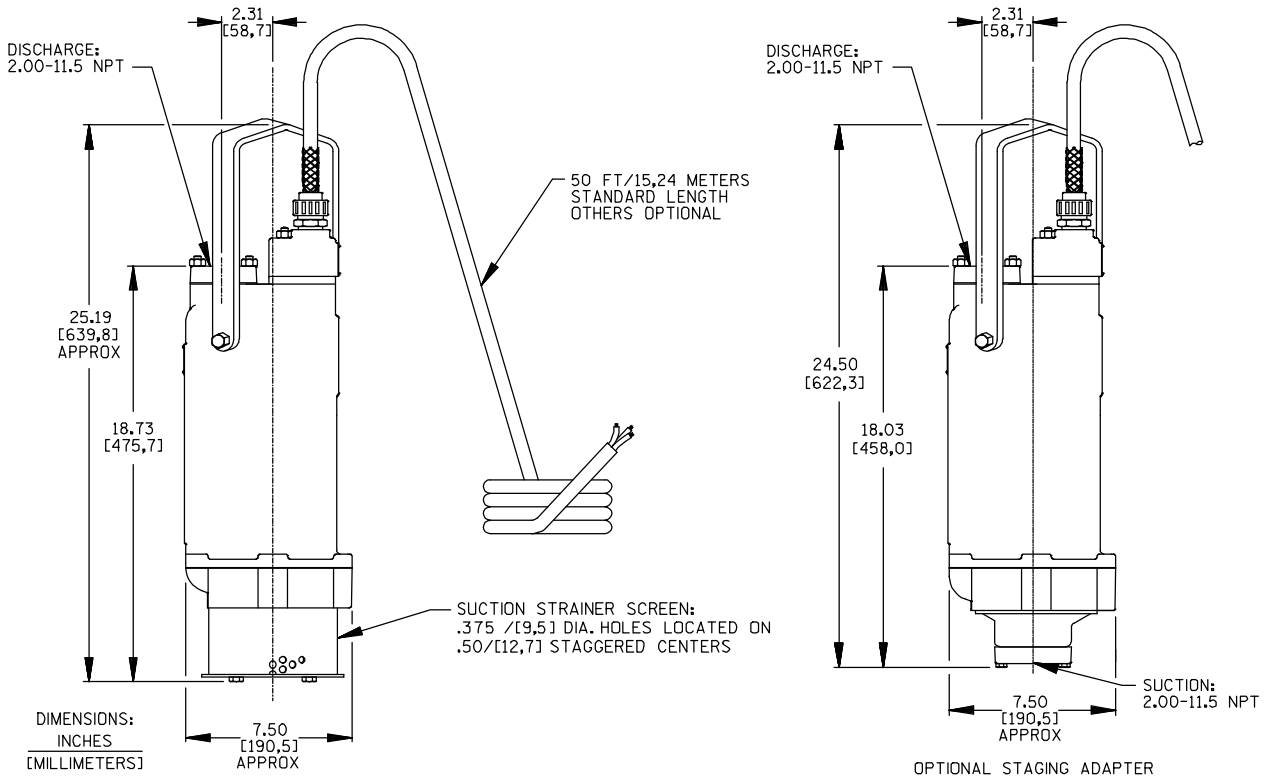
Printed in U.S.A.

Specification Data

SECTION 130, PAGE 500

APPROXIMATE
DIMENSIONS and WEIGHTS

NET WEIGHT: 86 LBS. (39,0 KG.)
SHIPPING WEIGHT: 106 LBS. (48,1 KG.)
EXPORT CRATE: 5.0 CU. FT. (0,14 CU. M.)



GORMAN-RUPP PUMPS

www.grpumps.com

Specifications Subject to Change Without Notice

Printed in U.S.A.