



Submersible Dewatering Contractor Pumps

1 to 7.5 Horsepower



DESCRIPTION

Gorman-Rupp SE Series electric submersible dewatering pumps are designed to handle sediment laden liquids with solids up to 3/8" diameter for applications such as construction sites, waste water, storm water, farming, irrigation, excavation, mining, marine, basement and other general drainage.

These pump feature a self-cleaning impeller made of high chromium steel construction for durability. Pumps utilize a 3450 rpm electric motor fitted with an unfinished power cord that requires field wiring (no controls are supplied). Motors are rated continuous duty and single phase models have thermal overload protection.



SEC2A3-E1 230/1 SHOWN

PUMP SPECIFICATIONS

Basic Construction: Cast Iron with SST Motor Hsg.

Motor Speed: 3450 RPM.

Power Cable Length: 32 ft. (10m). SEC2A3-E1 115/1 20ft (6m) w/plug.

Impeller: High Chromium (HCr) Impeller and Cover.

Seal: Silicon Carbide Mechanical Seal Plus Shaft Seal.

Max Solids: 3/8" (9,5mm) dia.

Built-in Carry Handle

UL/CSA LISTED

Maximum Temperature: 104°(40C)

WARNING!

Do not use in explosive atmosphere or for pumping volatile flammable liquids.

SPECIFICATIONS						
Model	Ship Wt. (Approx.)	Disch. (NPT)	VAC/ Phase	H.P.	Hz	Amps
SEC2A3-E1 115/1	53 lbs. 24 kg.	2"	115/1	1	60	13
SEC2A3-E1 230/1	51 lbs. 21 kg.	2"	230/1	1	60	7
SEC2B3-E2 230/1	103 lbs. 47 kg.	2"	230/1	2	60	11
SEC3A3-E3 230/1	110 lbs. 50 kg.	3"	230/1	3	60	18
SEC3B3-E5 230/3	110 lbs. 50 kg.	3"	230/3	5	60	14
SEC3B3-E5 460/3	115 lbs. 52 kg.	3"	460/3	5	60	7
SEC4A3-E7.5 230/3	172 lbs. 78 kg.	4"	230/3	7.5	60	20
SEC4A3-E7.5 460/3	175 lbs. 79 kg.	4"	460/3	7.5	60	11



GORMAN-RUPP PUMPS

www.grpumps.com

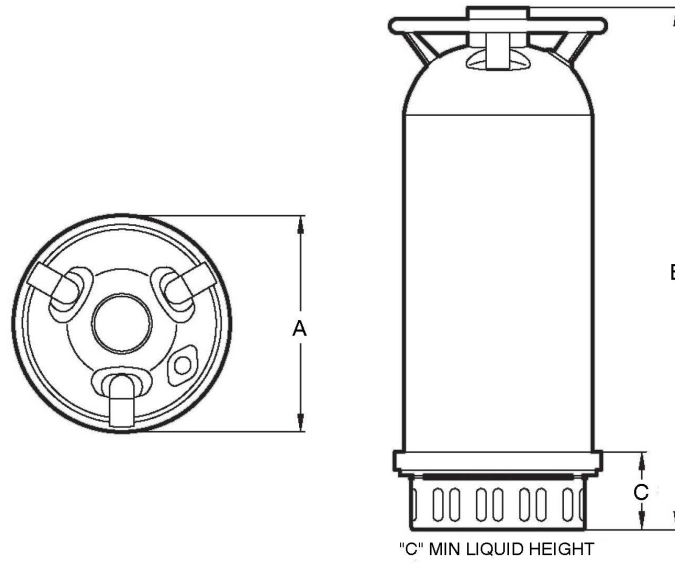
Specifications Subject to Change Without Notice

Printed in U.S.A.

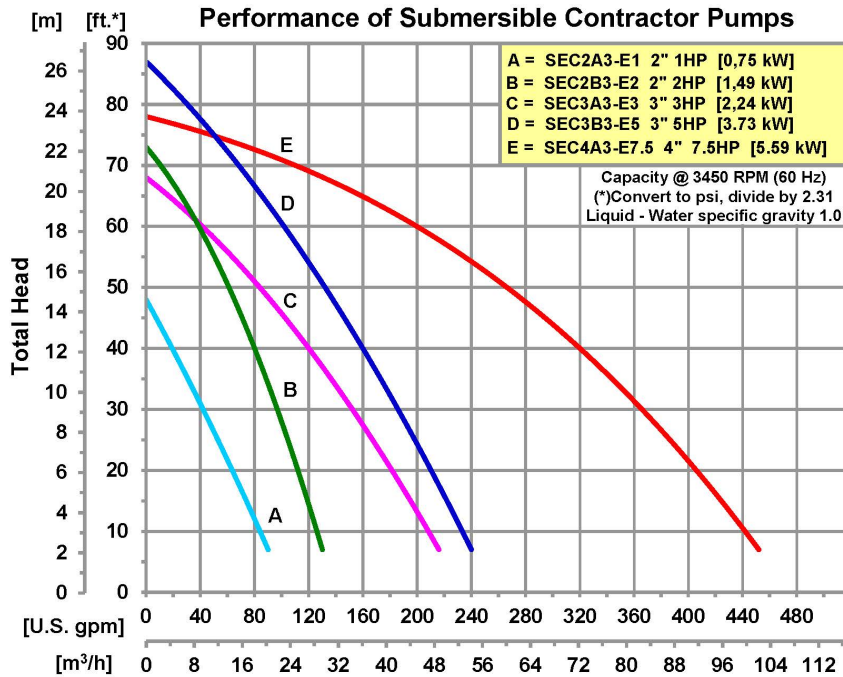
Specification Data

SECTION 130, PAGE 220

APPROXIMATE DIMENSIONS



DIMENSIONS		In (mm)		
MODEL	A	B	C	
SEC2A3-E1 115/1	8.3 (210,8)	19.3 (490,2)	2.8 (71,1)	
SEC2A3-E1 230/1	8.3 (210,8)	19.3 (490,2)	2.8 (71,1)	
SEC2B3-E2 230/1	9.0 (228,6)	25.6 (650,2)	3.2 (81,3)	
SEC3A3-E3 230/1	9.0 (228,6)	26.4 (670,6)	3.2 (81,3)	
SEC3B3-E5 230/3	9.2 (233,7)	23.9 (607,1)	4.0 (101,6)	
SEC3B3-E5 460/3	9.2 (233,7)	23.9 (607,1)	4.0 (101,6)	
SEC4A3-E7.5 230/3	10.7 (271,2)	28.4 (721,4)	5.0 (127,0)	
SEC4A3-E7.5 460/3	10.7 (271,2)	28.4 (721,4)	5.0 (127,0)	



GORMAN-RUPP PUMPS

www.grpumps.com

Specifications Subject to Change Without Notice

Printed in U.S.A.