



Self Priming Diaphragm Pump

Model 4D-E3 3P

Size 4" or 3" x 4"



PUMP SPECIFICATIONS

Size: 4" or 3" x 4" (102 mm or 76 mm x 102 mm) NPT Female.
Handles 2 1/4" (57 mm) Diameter Spherical Solids
with 3" (76 mm) NPT Suction.

Suction Chamber: Aluminum 356-T6.

Discharge Flange: Aluminum 356-T6.

Gaskets: Neoprene and Vegetable Fiber.

Crank Shaft: Ductile Iron .60-40-18

Crank Shaft Bearing: Roller Type.

Bearing Cap: Gray Iron 30.

Bearing Housing: Aluminum 356-T6.

Gearbox Housing: Aluminum 356-T6.

Gears: Gray Iron 30 and Hardened Carbon Steel.

Plunger Spring: Carbon Steel 5160.

Drive Shaft: Steel 1215.

Pinion Shaft: Alloy Steel 8620.

Diaphragm: Neoprene.

Diaphragm Pot: Aluminum 356-T6.

Diaphragm Ring: Aluminum 356-T6.

Upper Diaphragm Plate: Carbon Steel C1015.

Lower Diaphragm Plate: Gray Iron 40.

Flap Valve Seats: Gray Iron 30.

Flap Valves: Neoprene.

Flap Valve Weights: Steel 1010/1020.

PUMP DATA

Maximum RPM: 52.

BHP Required: 3.

Gear Ratio: 33.34:1.

Mounting: Wheel Kit ^{w/}Semi-Pneumatic Tires.

Standard Equipment: Strainer. Fiberglass Eccentric Guard. Flexible Coupling ^{w/}Guard.

Optional Equipment: Stationary Base. Buna-N or Neoprene Diaphragm.

MOTOR SPECIFICATIONS

Type: EISA Premium Open Drip Proof.

Horsepower: 3.

Frame Size: 182T.

Voltage: Three Phase, 230/460 Volts, 60 Hertz.

RPM: 1800.



GORMAN-RUPP PUMPS

www.grpumps.com

Specifications Subject to Change Without Notice

Printed in U.S.A.

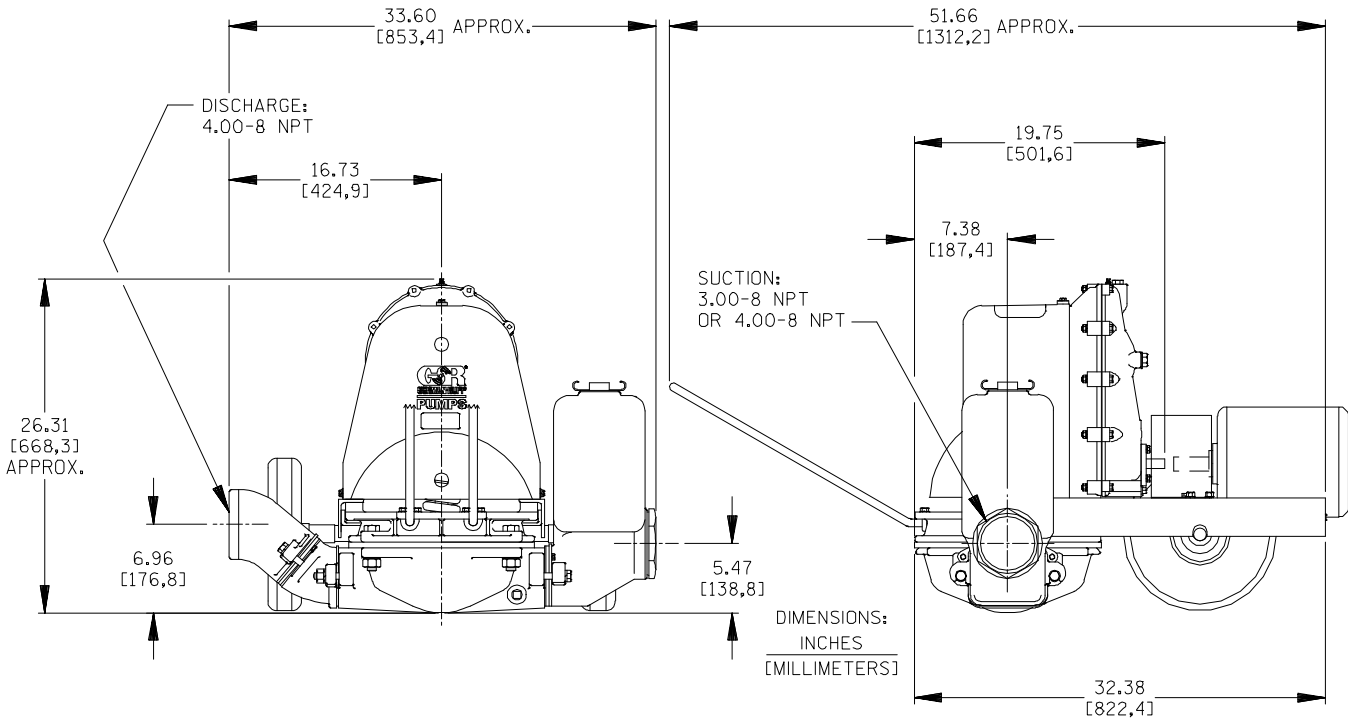
Specification Data

SECTION 120, PAGE 500

APPROXIMATE
DIMENSIONS and
WEIGHTS

STATIONARY BASE
PUMP NET WEIGHT: 390 LBS. (177 KG.)
SHIPPING NET WEIGHT: 440 LBS. (200 KG.)
EXPORT CRATE SIZE: 31 CU. FT. (0,9 CU. M.)

2-WHEEL
370 LBS. (168 KG.)
420 LBS. (191 KG.)
31 CU. FT. (0,9 CU. M.)



4D PUMP PERFORMANCE

IN GALLONS PER MINUTE AT 52 STROKES PER MINUTE

STATIC LIFT IN FEET	STATIC DISCHARGE HEAD IN FEET					
	0	5	10	15	20	25
5	150	125	119	113	112	104
10	126	118	108	105	105	100
15	98	97	75	74	73	70
20	94	82	74	73	66	63
25	74	82	70	66	60	52

IN LITERS PER MINUTE AT 52 STROKES PER MINUTE

STATIC LIFT IN METERS	STATIC DISCHARGE HEAD IN METERS					
	0	1,5	3,0	4,6	6,1	7,6
1,5	567,8	473,1	450,4	427,7	423,9	393,6
3,0	476,9	446,6	408,8	397,4	397,4	378,5
4,6	370,9	367,1	283,8	280,1	276,3	264,9
6,1	355,8	310,3	280,1	276,3	249,8	238,4
7,6	280,1	310,3	264,9	249,8	227,1	196,8

Above Performance with 70°F (21°C)*Clear Water at Sea Level
Using 3 in. (7,6 cm) Non-Collapsible Suction Hose and 4 in. (10,2 cm) Discharge Hose.



GORMAN-RUPP PUMPS

www.grpumps.com

Specifications Subject to Change Without Notice

Printed in U.S.A.