



## Basic Pedestal

# Standard Centrifugal Pump

## Model VG8D3-B

### Size 10" x 8"

#### PUMP SPECIFICATIONS

**Size:** 10" x 8" (254 mm x 203 mm) Flanged.

**Casing:** Gray Iron 40.

Maximum Operating Pressure 172 psi (1186 kPa).\*

**Enclosed Type, Five Vane Impeller:** Gray Iron 40.

Handles 1 3/8" (34,9 mm) Diameter Spherical Solids.

**Impeller Shaft:** Steel 1045.

**Shaft Sleeve:** Stainless Steel 420.

**Seal Plate:** Gray Iron 40.

**Bearing Housing:** Gray Iron 40.

**Radial Bearing:** Open Single Row Ball.

**Thrust Bearing:** Open Double Row Ball.

**Bearing Lubrication:** SAE 30 Non-Detergent Oil.

**Gaskets:** Nitrile Rubber.

**O-Ring:** Fluorocarbon (DuPont Viton® or Equivalent).

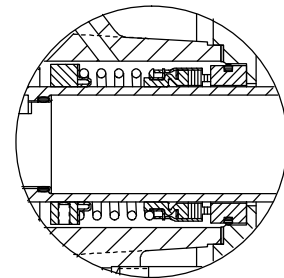
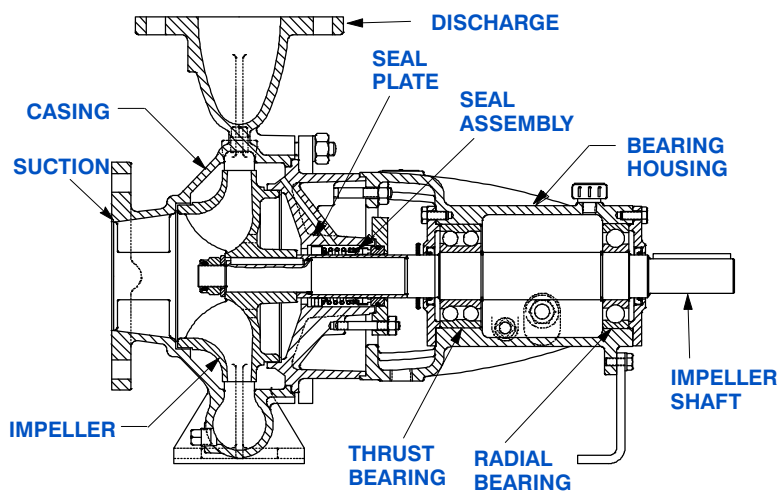
**Hardware:** Standard Plated Steel.

**Oil Level Sight Gauge.**

**Optional Equipment:** NPT Suction and Discharge Flanges. Strainer. Stainless Steel Impeller. Mechanical Seal with Fluorocarbon Elastomers (DuPont Viton® or Equivalent). Manual Discharge Check Valve.



*\*Consult Factory for Applications Exceeding Maximum Pressure and/or Temperature Indicated.*



#### SEAL DETAIL

Type 1, Mechanical, Self-Lubricated. Carbon Rotating Face. Ceramic Stationary Seat. Buna-N Elastomers. Stainless Steel Cage and Spring. Maximum Temperature of Liquid Pumped, 160°F (71°C).\*



## GORMAN-RUPP PUMPS

[www.grpumps.com](http://www.grpumps.com)

Specifications Subject to Change Without Notice

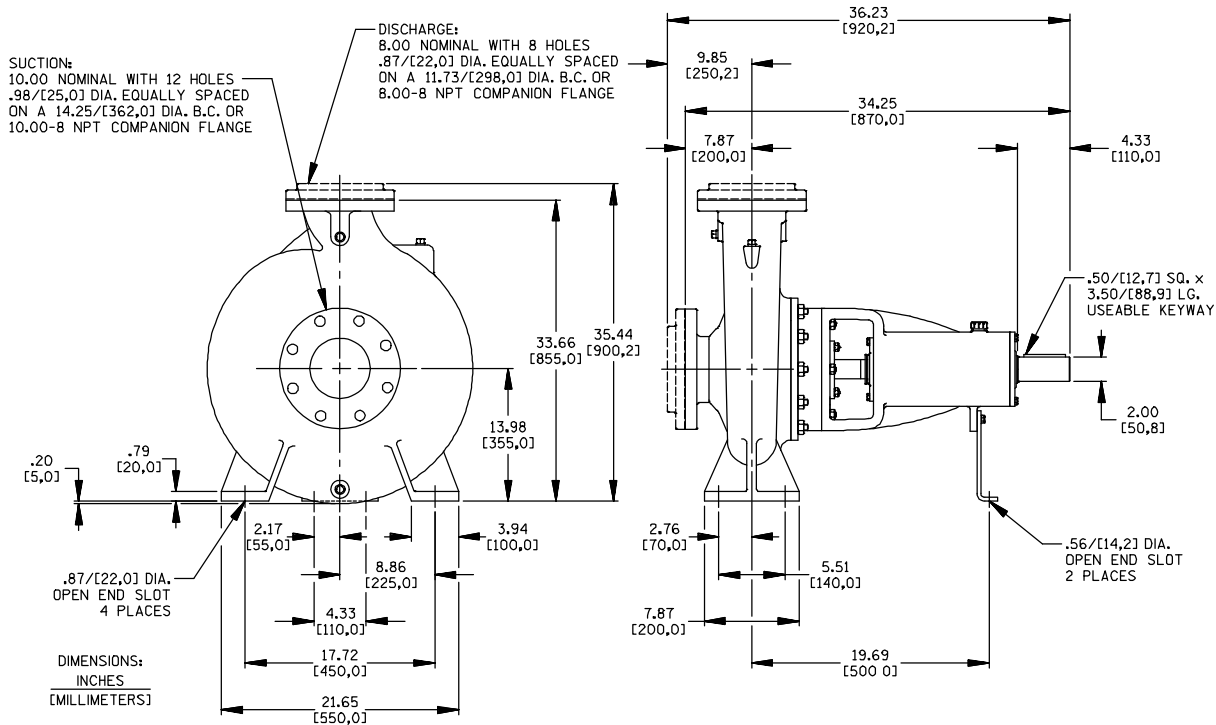
Printed in U.S.A.

**Specification Data**

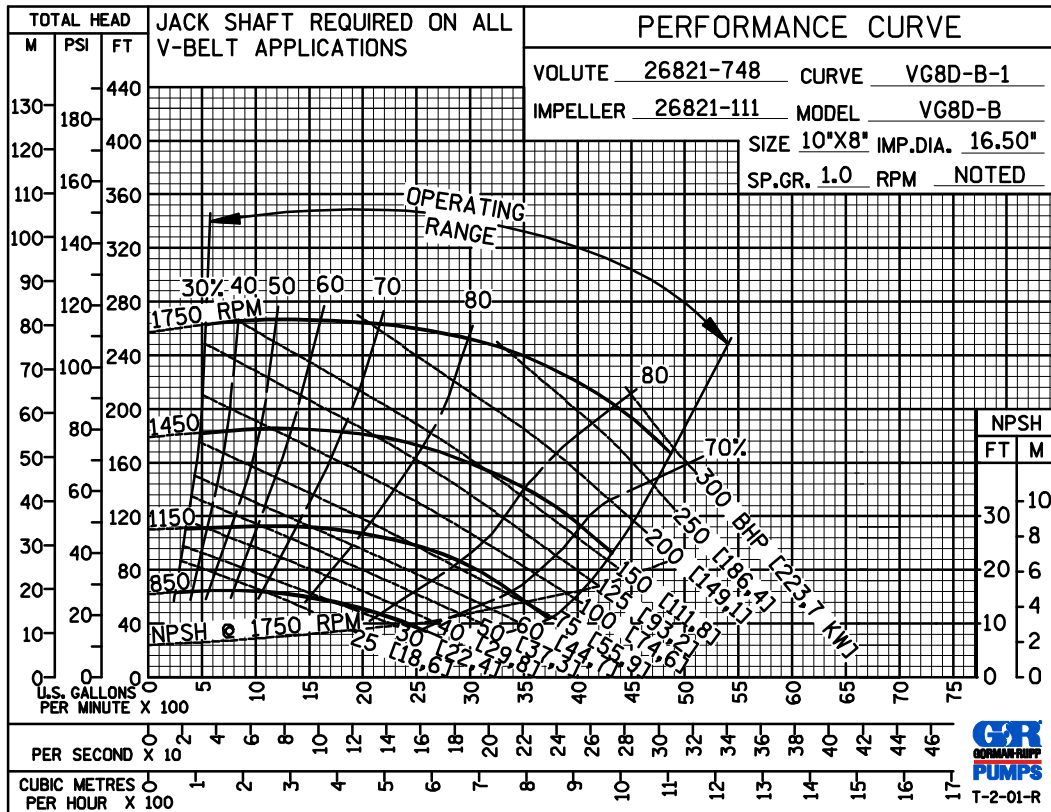
SECTION 70, PAGE 1550

APPROXIMATE DIMENSIONS and WEIGHTS

**NET WEIGHT:** 695 LBS. (315,2 KG.)  
**SHIPPING WEIGHT:** 795 LBS. (360,6 KG.)  
**EXPORT CRATE SIZE:** 36 CU. FT. (1,02 CU. M.)



**PERFORMANCE  
 BASED ON  
 WATER**



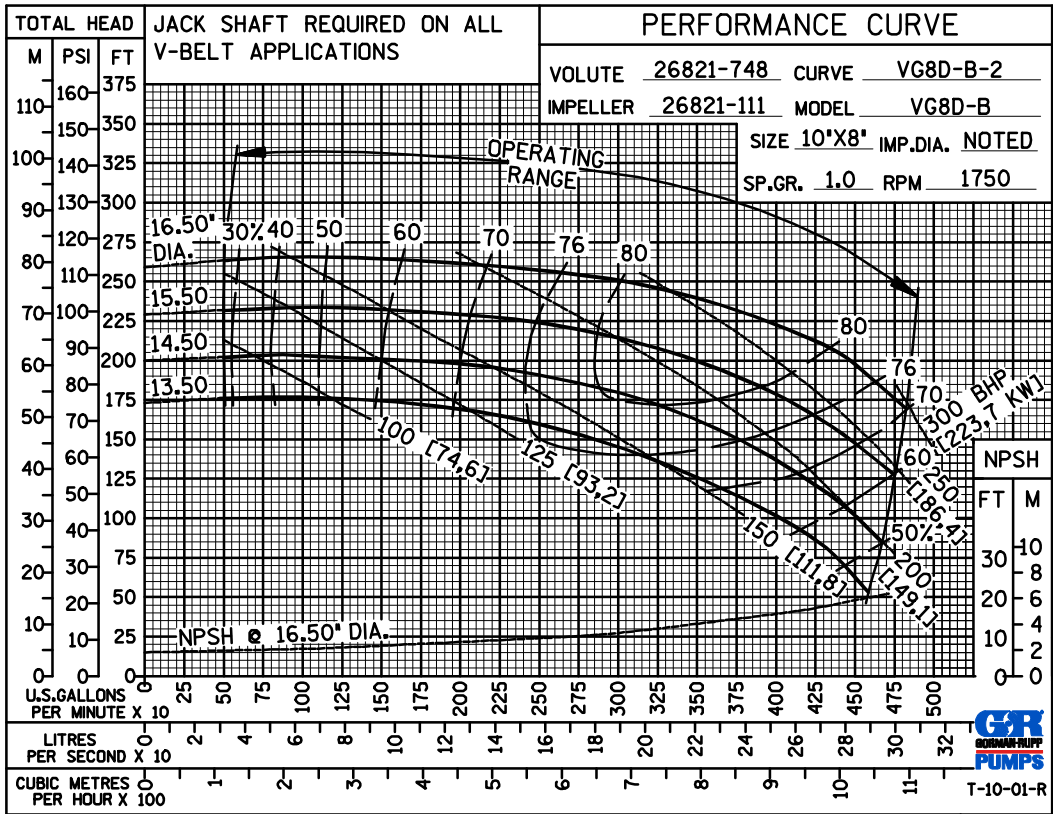
**GORMAN-RUPP PUMPS**

www.grpumps.com

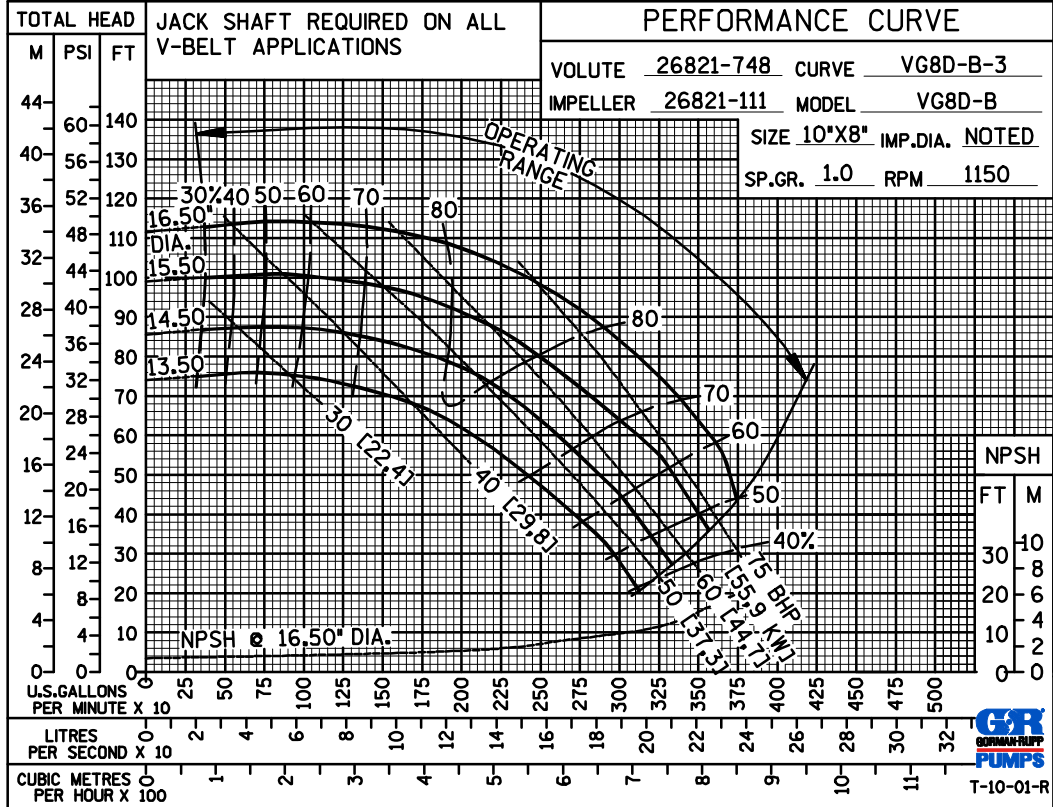
Specifications Subject to Change Without Notice

Printed in U.S.A.

PERFORMANCE  
BASED ON  
WATER



PERFORMANCE  
BASED ON  
WATER



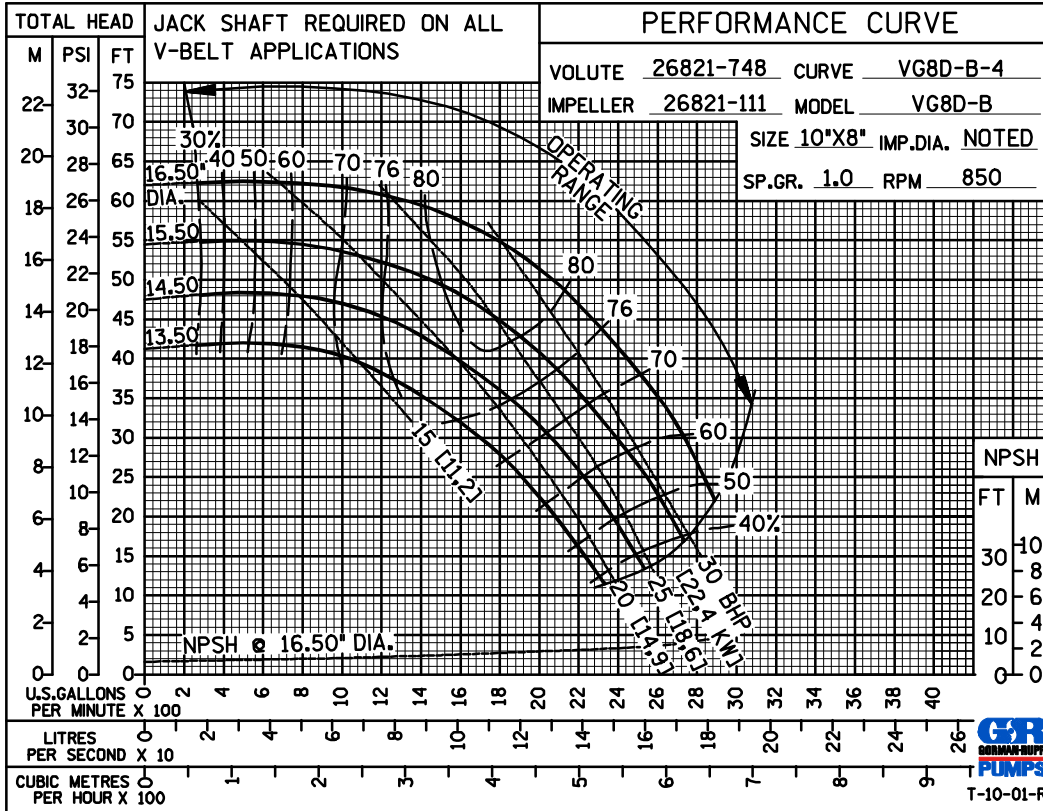
GORMAN-RUPP PUMPS

www.grpumps.com

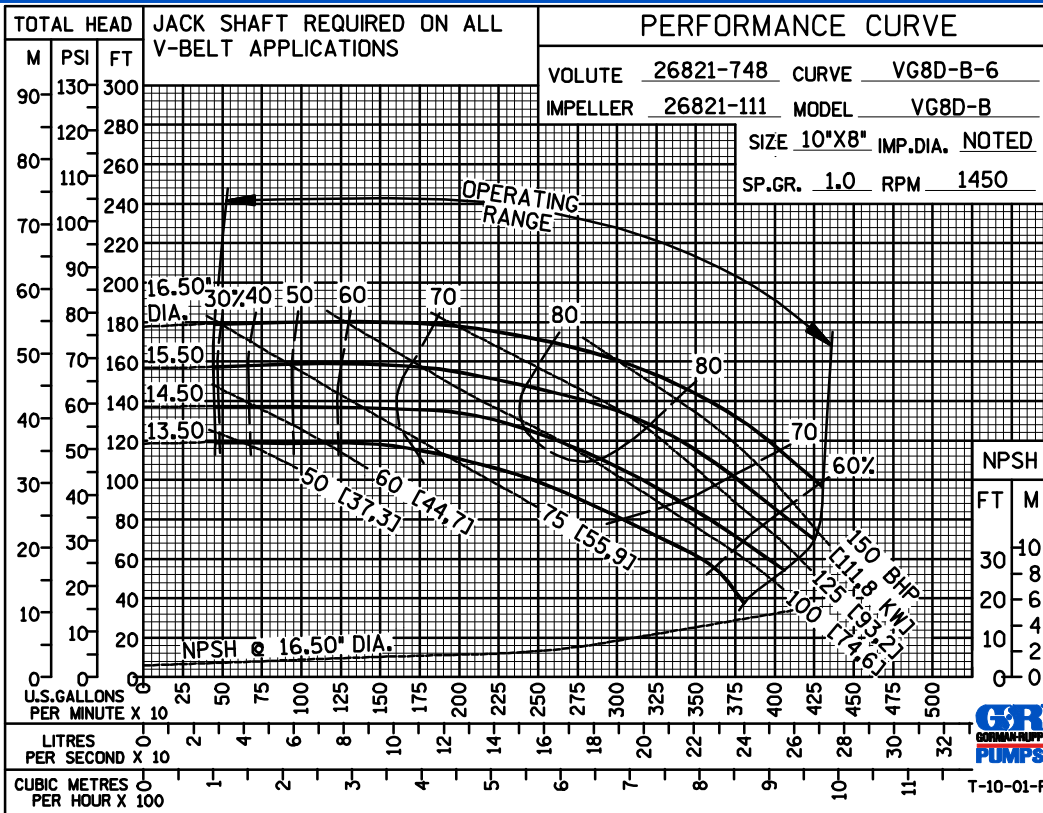
Specifications Subject to Change Without Notice

Printed in U.S.A.

PERFORMANCE  
BASED ON  
WATER



PERFORMANCE  
BASED ON  
WATER



GORMAN-RUPP PUMPS

www.grpumps.com

Specifications Subject to Change Without Notice

Printed in U.S.A.