



# Basic Pedestal Standard Centrifugal Pump

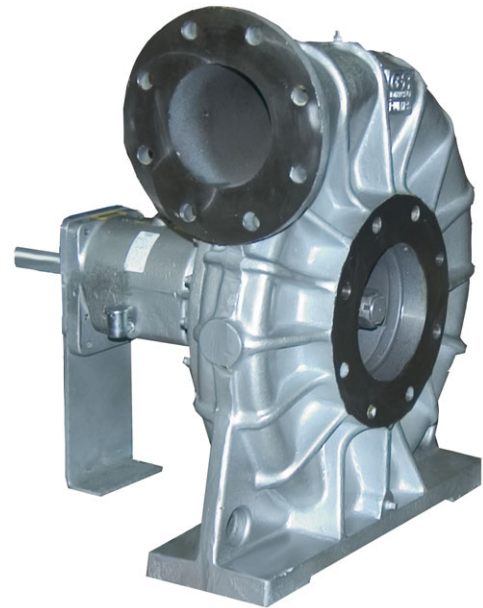
## Models 65A31-B and 65A32-B

Size 6" x 5"

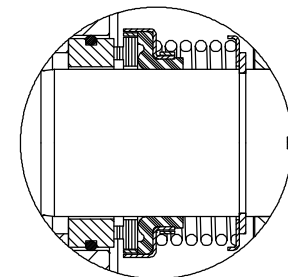
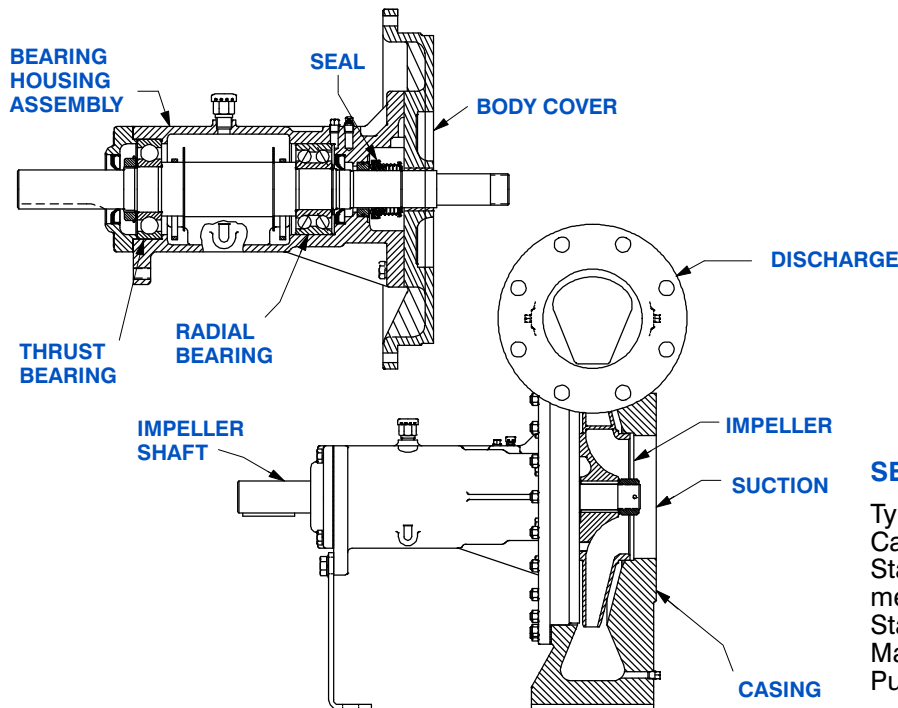
### PUMP SPECIFICATIONS

- Size:** 6" x 5" (152 mm x 127 mm) Flanged.
- Casing:** (65A31-B) Ductile Iron 65-45-12.  
(65A32-B) Cast Steel 70-36.  
Maximum Operating Pressure 98 psi (676 kPa).\*
- Enclosed Type, Five Vane Impeller:** Aluminum Alloy 356-T6.  
Handles 1/2" (12,7 mm) Diameter Spherical Solids.
- Impeller Shaft:** Carbon Steel 1045.
- Bearing Housing:** Ductile Iron 65-45-12.
- Radial Bearing:** Open Double Row Ball.
- Thrust Bearing:** Open Single Row Ball.
- Bearing Lubrication:** SAE 30 Non-Detergent Oil.
- Body Cover:** (65A31-B) Ductile Iron 65-45-12.  
(65A32-B) Cast Steel 70-36.
- Gaskets:** Buna-N.
- Hardware:** Standard Plated Steel.
- Optional Equipment:** PTFE Seal.

*\*Consult Factory for Applications Exceeding Maximum Pressure and/or Temperature Indicated.*



MODEL 65A31-B SHOWN



### SEAL DETAIL

Type 2, Mechanical Self-Lubricated. Carbon Rotating Face. Ni-Resist Stationary Face. Fluorocarbon Elastomers (DuPont Viton® or Equivalent). Stainless Steel 18-8 Cage and Spring. Maximum Temperature of Liquid Pumped, 160°F (71°C).\*



GORMAN-RUPP PUMPS

www.grpumps.com

Specifications Subject to Change Without Notice

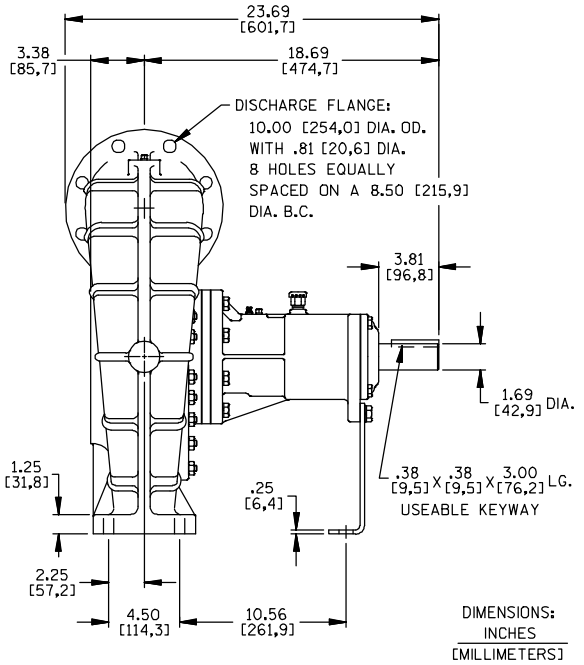
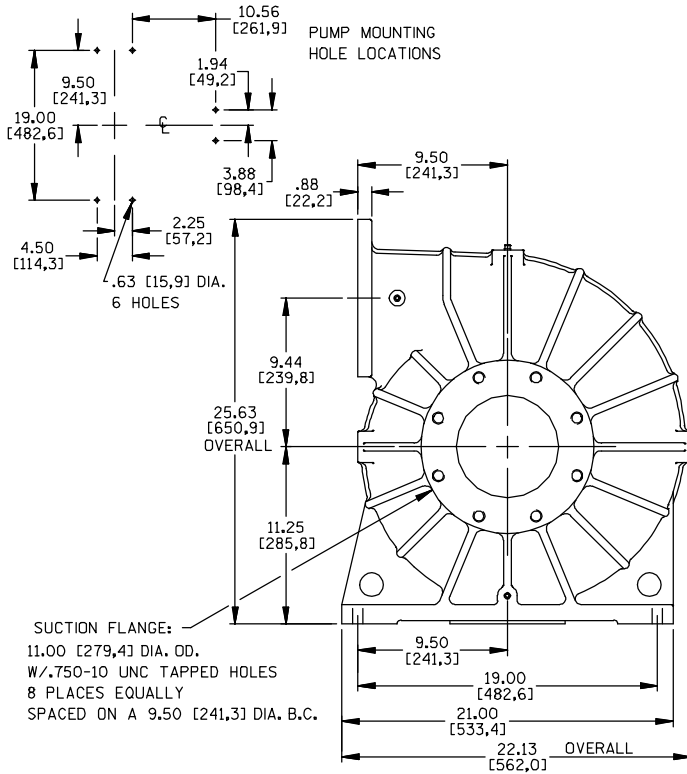
Printed in U.S.A.

**Specification Data**

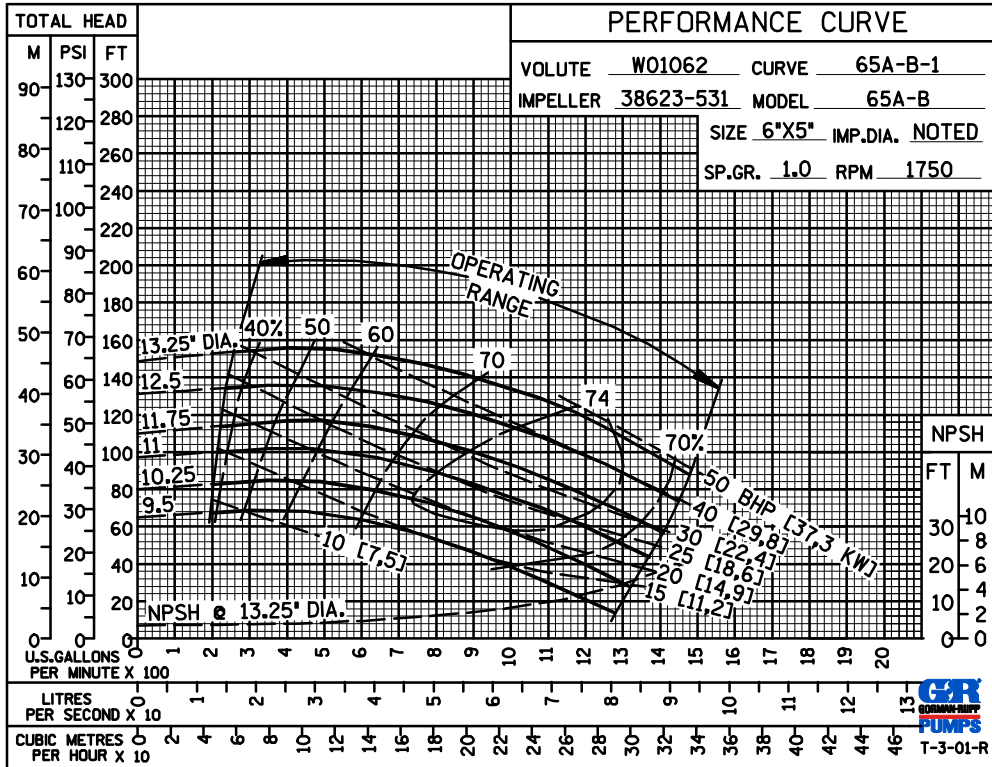
**SECTION 70, PAGE 950**

APPROXIMATE  
DIMENSIONS and WEIGHTS

	<b>65A31-B</b>	<b>65A32-B</b>
<b>NET WEIGHT:</b>	<b>390 LBS. (176,9 KG.)</b>	<b>395 LBS. (179,2 KG.)</b>
<b>SHIPPING WEIGHT:</b>	<b>435 LBS. (197,3 KG.)</b>	<b>440 LBS. (199,5 KG.)</b>
<b>EXPORT CRATE:</b>	<b>15.3 CU. FT. (0,43 CU. M.)</b>	



DIMENSIONS:  
INCHES  
[MILLIMETERS]



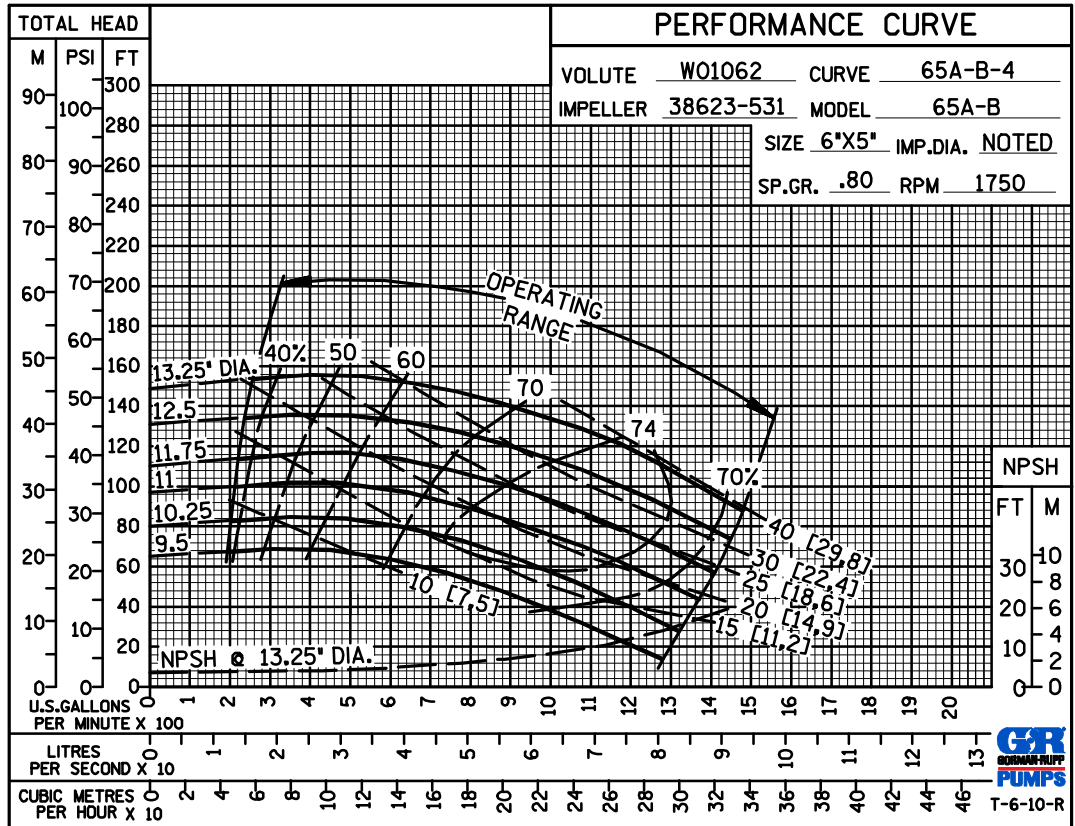
**GORMAN-RUPP PUMPS**

www.grpumps.com

Specifications Subject to Change Without Notice

Printed in U.S.A.

PERFORMANCE  
BASED ON  
PETROLEUM



GORMAN-RUPP PUMPS

www.grpumps.com

Specifications Subject to Change Without Notice

Printed in U.S.A.