

Standard Centrifugal Pump



Model 64B2-B

Size 6" x 4"

PUMP SPECIFICATIONS

Size: 6" (152 mm) NPT Female Suction.
4" (101 mm) Flanged Discharge.

Casing: Gray Iron 40.

Maximum Casing Pressure 338 psi (2330 kPa).*

Maximum Operating Pressure 250 psi (1723 kPa) at Temperatures up to 100°F (37°C) Based on System Component Limitations.*

Enclosed Type, Six Vane Impeller: Gray Iron 30.

Handles 3/8" (9,5 mm) Diameter Spherical Solids.

Impeller Shaft: Alloy Steel 4150.

Replaceable Wear Ring: Copper Alloy C93200.

Replaceable Balance Ring: Copper Alloy C93200.

Pedestal: Gray Iron 30.

Seal Liner: Copper Alloy C26000.

Shaft Sleeve: Alloy Steel 4130.

Radial and Thrust Bearings: Open Single Row Ball.

Bearing Lubrication: Grease.

Cover Plate: Gray Iron 30.

Gaskets: Vegetable Fiber.

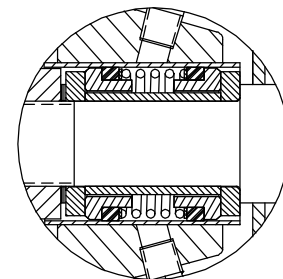
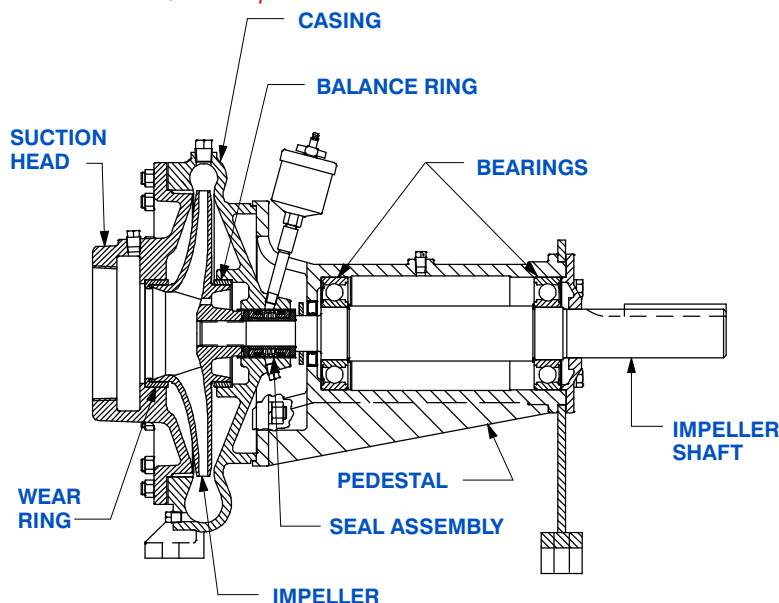
Hardware: Standard Plated Steel.

Strainer.

Optional Equipment: Discharge Check Valve.

4" NPT Discharge Flange. Hand Primer.

**Consult Factory for Applications Exceeding Maximum Pressure and/or Temperature Indicated.*



SEAL DETAIL

Double, Grease Lubricated with Spring-Loaded Grease Cup. Sintered Bronze Stationary Seal Seats. Steel Rotating Faces. Neoprene Packing Rings. Maximum Temperature of Liquid Pumped, 110°F (43°C). Maximum Suction Pressure 10 psi (69 kPa).*



GORMAN-RUPP PUMPS

www.grpumps.com

Specifications Subject to Change Without Notice

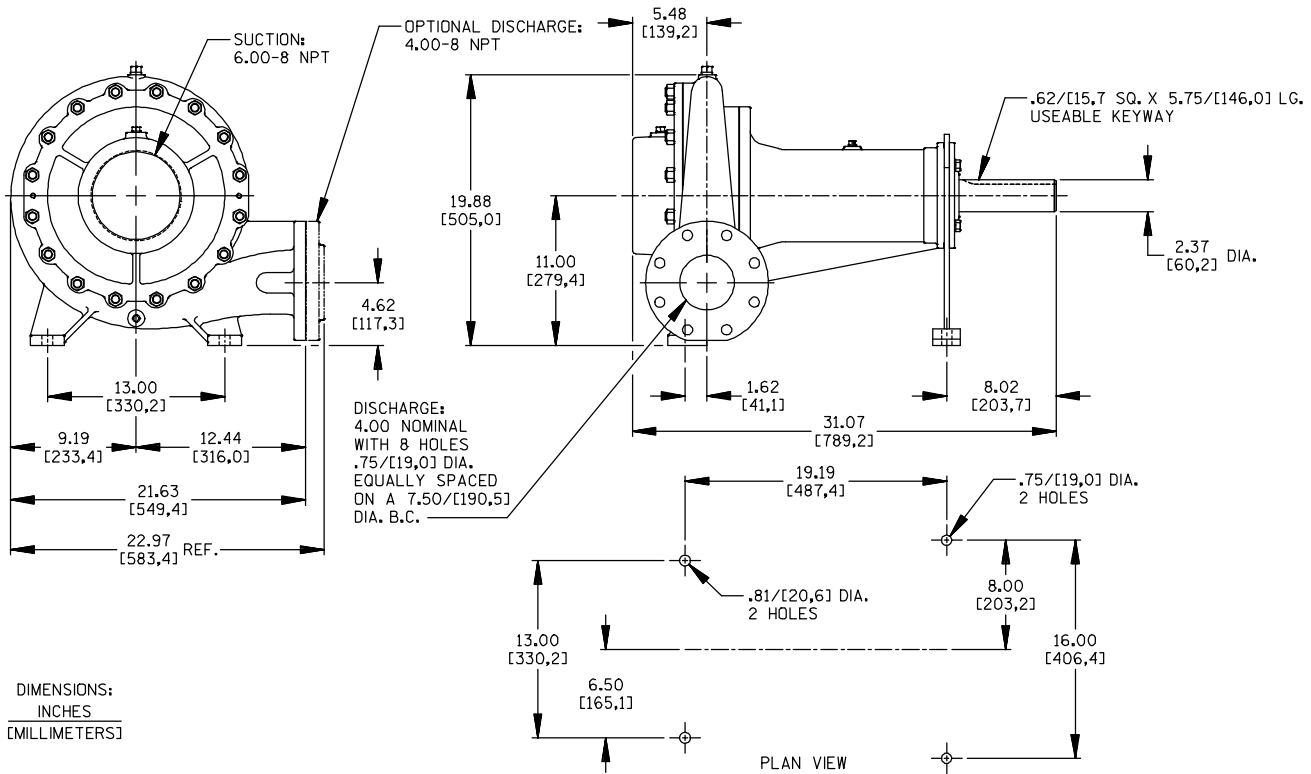
Printed in U.S.A.

Specification Data

SECTION 70, PAGE 725

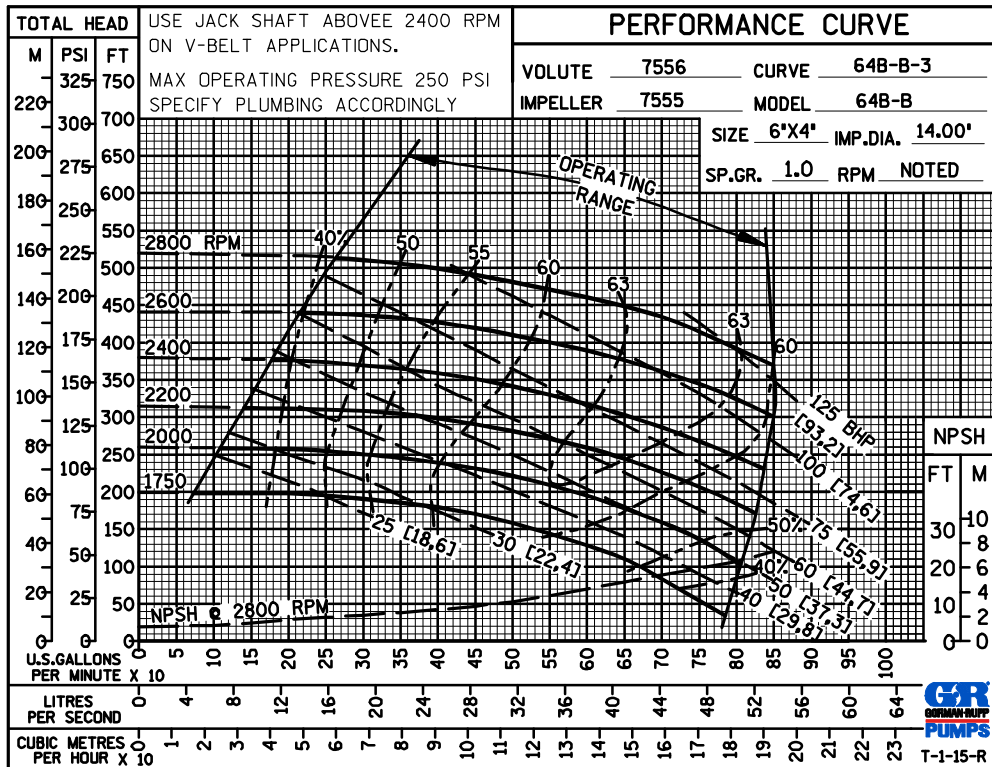
APPROXIMATE DIMENSIONS and WEIGHTS

NET WEIGHT: 355 LBS. (161,0 KG.)
 SHIPPING WEIGHT: 403 LBS. (182,8 KG.)
 EXPORT CRATE: 12.5 CU. FT. (0,35 CU. M.)



DIMENSIONS:
 INCHES
 [MILLIMETERS]

**60 HERTZ
 PERFORMANCE
 BASED ON
 WATER**



GORMAN-RUPP PUMPS

www.grpumps.com

Specifications Subject to Change Without Notice

Printed in U.S.A.