

Basic Pedestal



Standard Centrifugal Pump

Model VG3C3-B

Size 4" x 3"

PUMP SPECIFICATIONS

Size: 4" x 3" (102 mm x 76 mm) Flanged.

Casing: Gray Iron 40.

Maximum Operating Pressure 195 psi (1345 kPa).*

Enclosed Type, Six Vane Impeller: Gray Iron 40.

Handles 9/16" (14,3 mm) Diameter Spherical Solids.

Impeller Shaft: Steel 1045.

Shaft Sleeve: Stainless Steel 420.

Seal Plate: Gray Iron 40.

Bearing Housing: Gray Iron 40.

Radial Bearing: Open Single Row Ball.

Thrust Bearing: Open Double Row Ball.

Bearing Lubrication: SAE 30 Non-Detergent Oil.

Gaskets: Nitrile Rubber.

O-Ring: Fluorocarbon (DuPont Viton® or Equivalent).

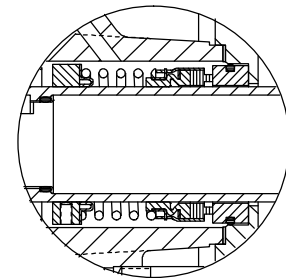
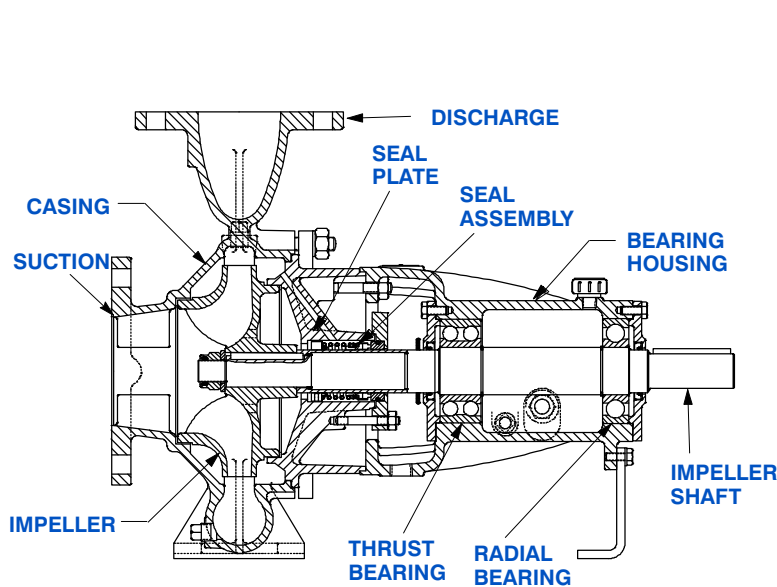
Hardware: Standard Plated Steel.

Oil Level Sight Gauge.

Optional Equipment: NPT Suction and Discharge Flanges.

Strainer. Stainless Steel Impeller. Mechanical Seal with Fluorocarbon Elastomers (DuPont Viton® or Equivalent). Hand Primer.

**Consult Factory for Applications Exceeding
Maximum Pressure and/or Temperature Indicated.*



SEAL DETAIL

Type 1, Mechanical, Self-Lubricated. Carbon Rotating Face. Ceramic Stationary Seat. Buna-N Elastomers. Stainless Steel Cage and Spring. Maximum Temperature of Liquid Pumped, 160°F (71°C).*



GORMAN-RUPP PUMPS

www.grpumps.com

Specifications Subject to Change Without Notice

Printed in U.S.A.

Specification Data

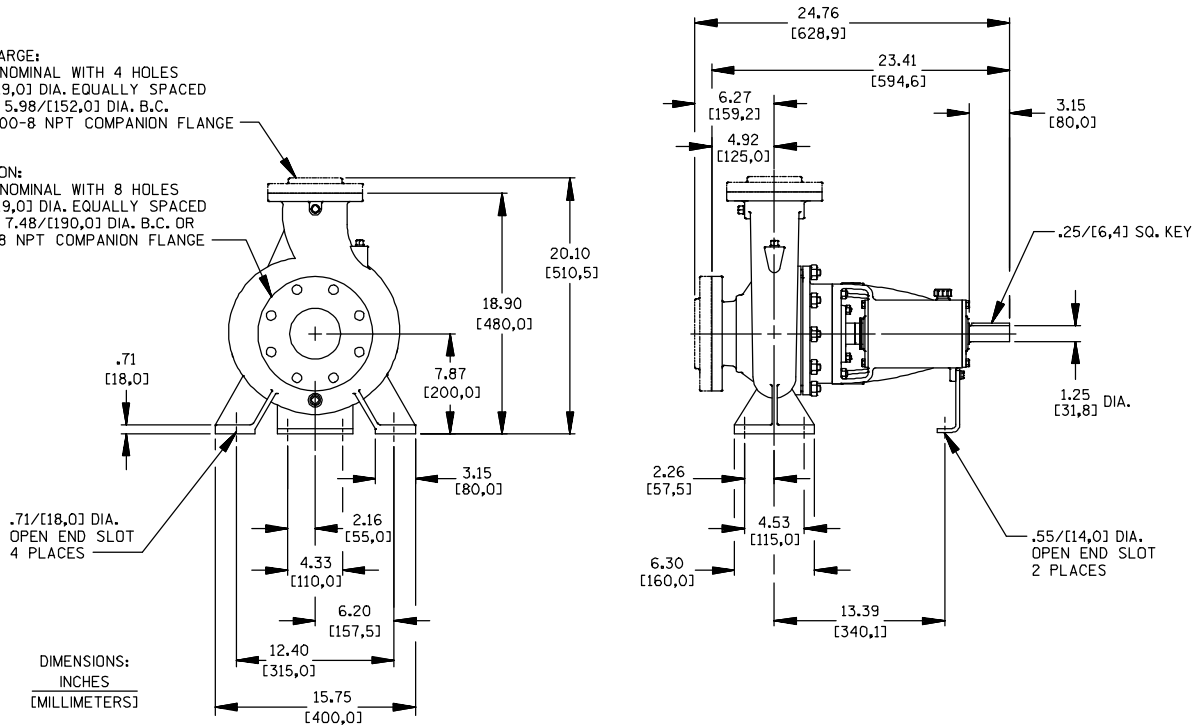
SECTION 70, PAGE 494

APPROXIMATE
DIMENSIONS and WEIGHTS

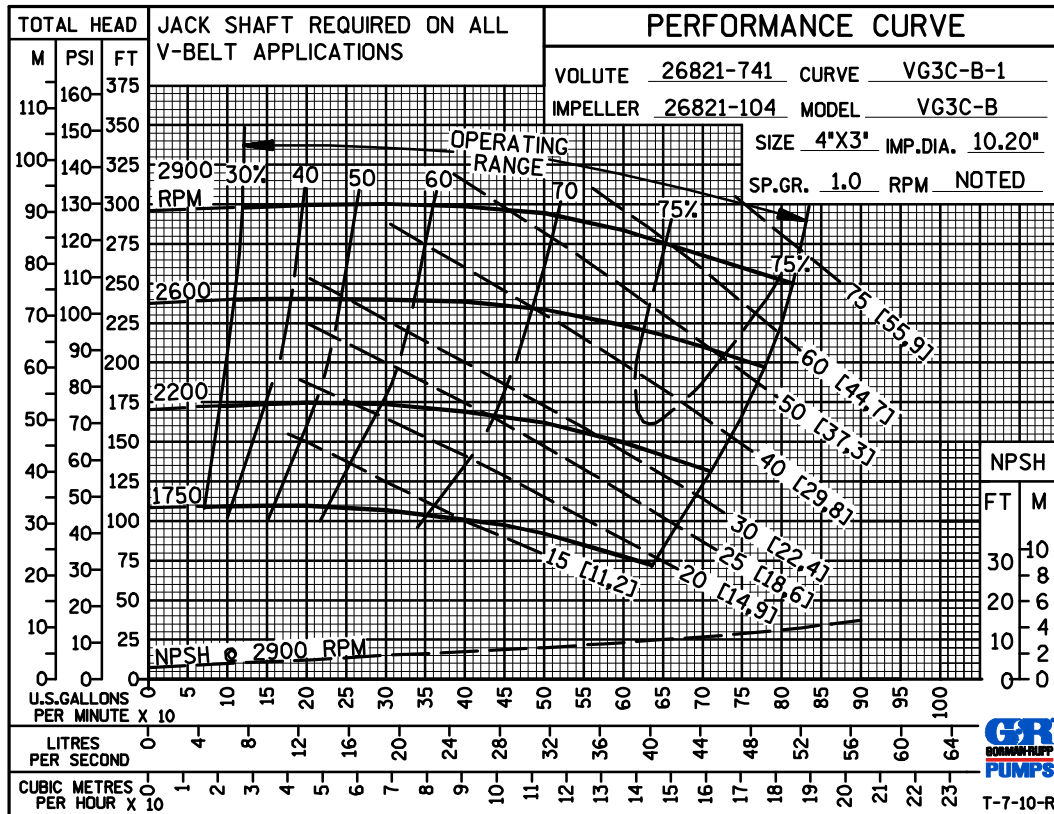
NET WEIGHT: 160 LBS. (72,6 KG.)
SHIPPING WEIGHT: 175 LBS. (79,4 KG.)
EXPORT CRATE SIZE: 11.9 CU. FT. (0,34 CU. M.)

DISCHARGE:
3.00 NOMINAL WITH 4 HOLES
.75/[19,0] DIA. EQUALLY SPACED
ON A 5.98/[152,0] DIA. B.C.
OR 3.00-8 NPT COMPANION FLANGE

SUCTION:
4.00 NOMINAL WITH 8 HOLES
.75/[19,0] DIA. EQUALLY SPACED
ON A 7.48/[190,0] DIA. B.C. OR
4.00-8 NPT COMPANION FLANGE



PERFORMANCE
BASED ON
WATER



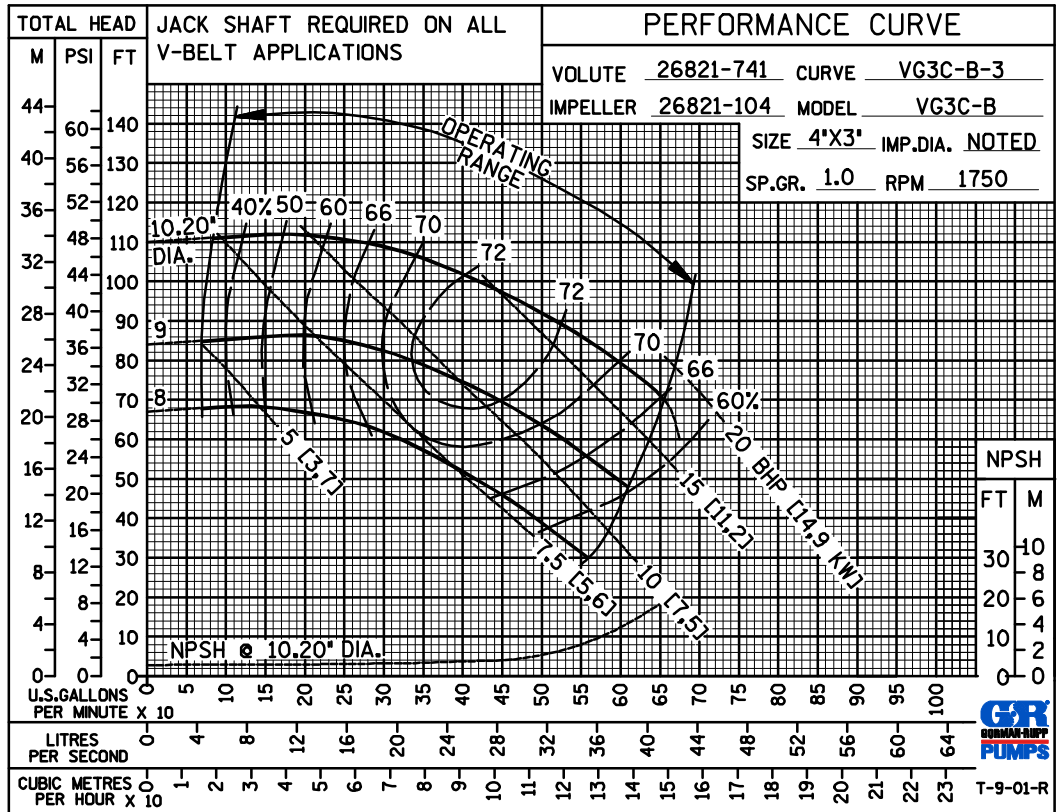
GORMAN-RUPP PUMPS

www.grpumps.com

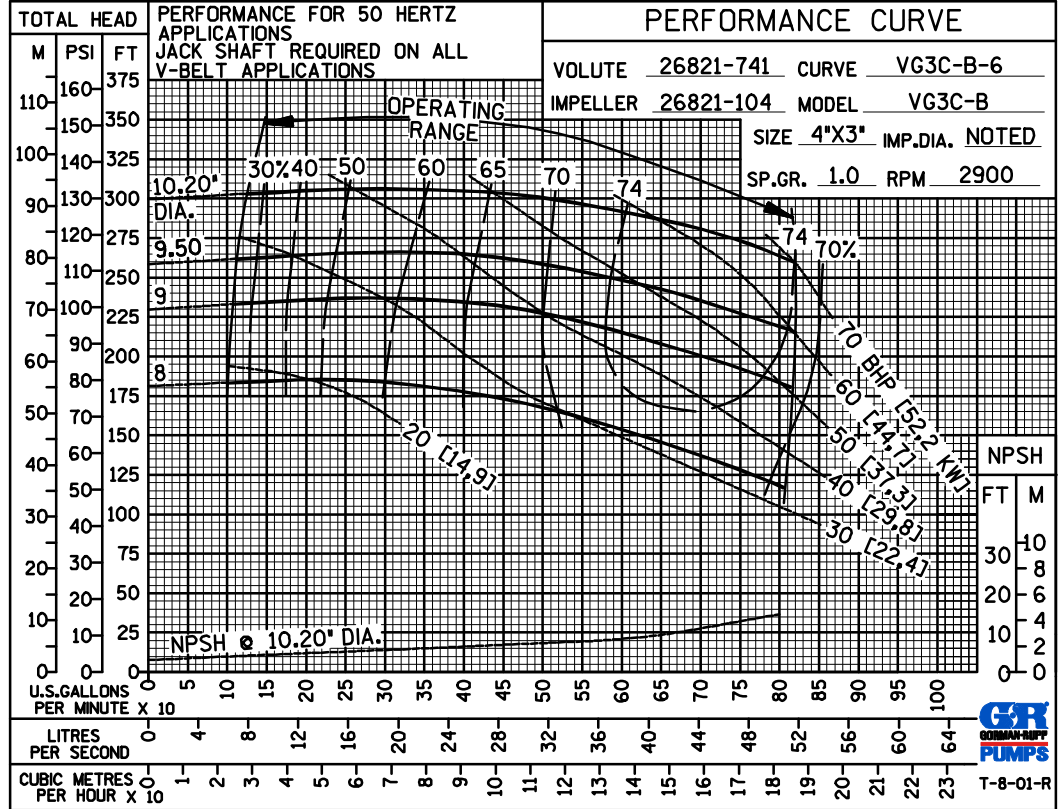
Specifications Subject to Change Without Notice

Printed in U.S.A.

PERFORMANCE
BASED ON
WATER



50 HERTZ
PERFORMANCE
BASED ON
WATER



GORMAN-RUPP PUMPS

www.grpumps.com

Specifications Subject to Change Without Notice

Printed in U.S.A.