

## Basic Pedestal

## Standard Centrifugal Pump

Model 6512A60-B

Size 12" x 12"



## PUMP SPECIFICATIONS

**Size:** 12" x 12" (304,8 mm x 304,8 mm) Flanged.

**Casing:** Gray Iron 30.

Maximum Operating Pressure 68 psi (469 kPa)

**Enclosed Type, Three Vane Impeller w/Wear Ring:** Ductile Iron  
60-40-18. Handles 3" (76,2 mm) Diameter Spherical Solids.

**Suction Head:** Gray Iron 30.

**Suction Spool:** Gray Iron 30.

**Impeller Shaft:** Alloy Steel 4150.

**Pedestal:** Gray Iron 30.

**Seal Plate:** Gray Iron 30.

**Radial Bearing:** Open Roller.

**Thrust Bearing:** Open Double Ball.

**Bearing and Seal Cavity Lubrication:** SAE 30 Non-Detergent Oil.

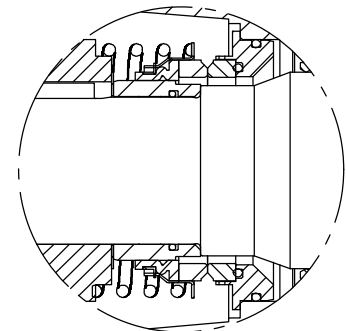
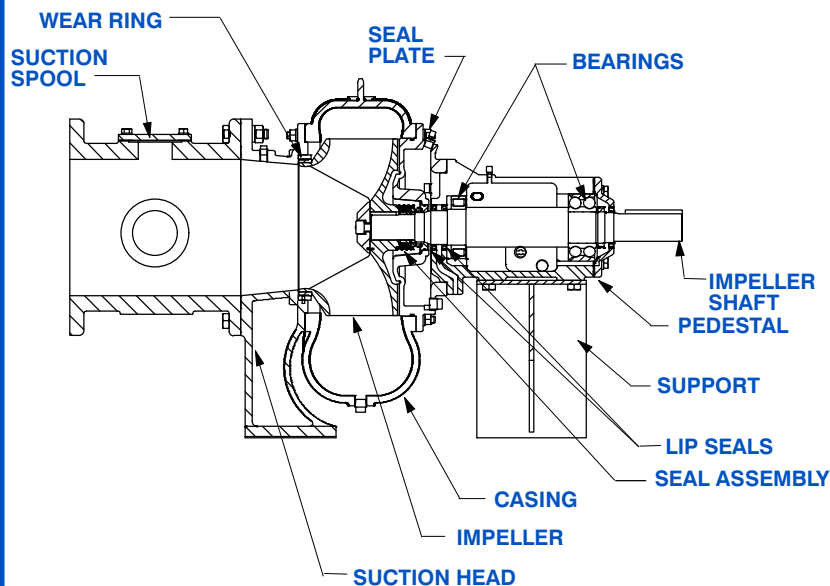
**Gaskets:** Vegetable Fiber, Red Rubber and Buna-N.

**O-Rings:** Buna-N.

**Hardware:** Standard Plated Steel.

**Bearing and Seal Cavity Oil Level Sight Gauges.**

*\*Consult Factory for Applications Exceeding Maximum Pressure and/or Temperature Indicated.*



## SEAL DETAIL

Mechanical, Oil-Lubricated. Silicon Carbide Rotating Face and Stationary Seat. Fluorocarbon Elastomers (DuPont Viton® or Equivalent). Stainless Steel 316 Cage and Stainless Steel 18-8 Spring. Maximum Temperature of Liquid Pumped 160° F (71° C).\*



GORMAN-RUPP PUMPS

www.grpumps.com

Specifications Subject to Change Without Notice

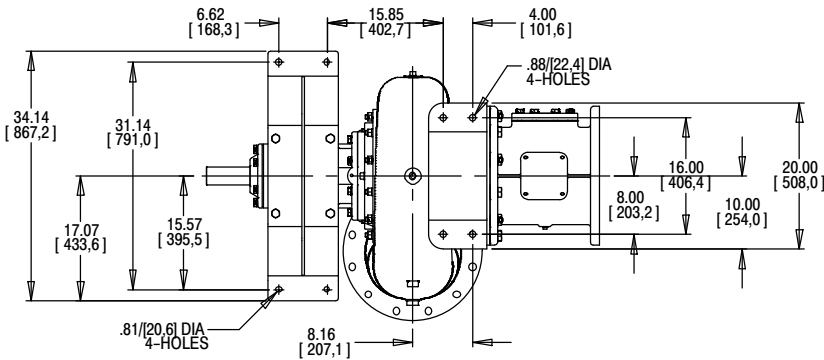
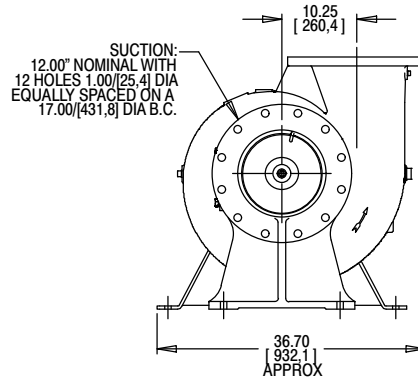
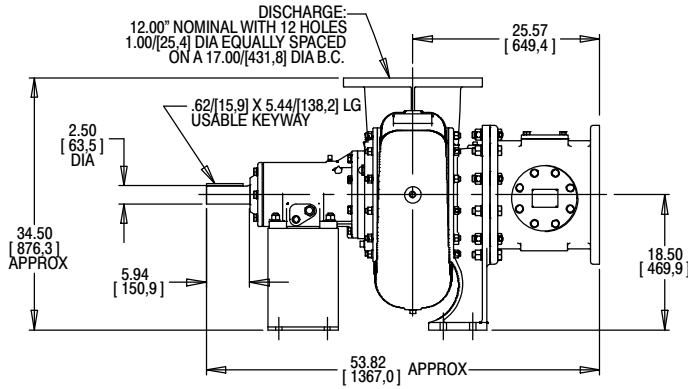
Printed in U.S.A.

**Specification Data**

SECTION 65, PAGE 600

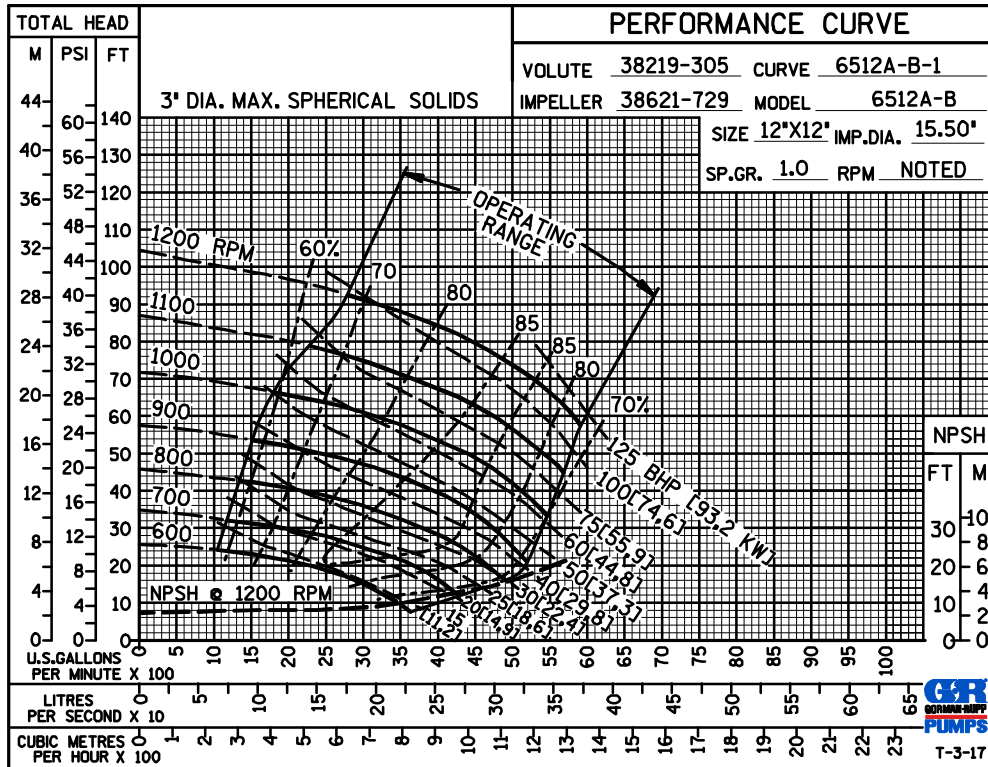
APPROXIMATE  
DIMENSIONS and WEIGHTS

**NET WEIGHT:** 1256 LBS. (569,7 KG.)  
**SHIPPING WEIGHT:** 1410 LBS. (639,6KG.)  
**EXPORT CRATE:** 53.4 CU. FT. (1,5 CU. M.)



DIMENSIONS:  
INCHES  
[MILLIMETERS]

**MULTI-SPEED  
CURVE  
PERFORMANCE  
BASED ON  
WATER**



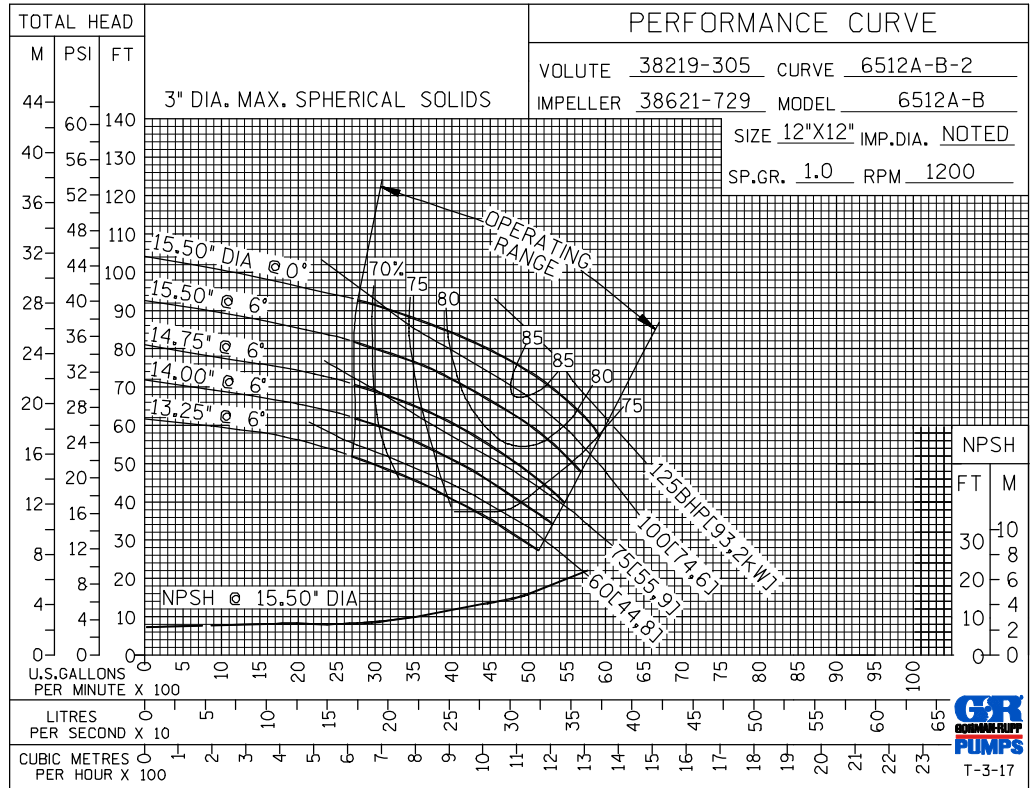
**GORMAN-RUPP PUMPS**

www.grpumps.com

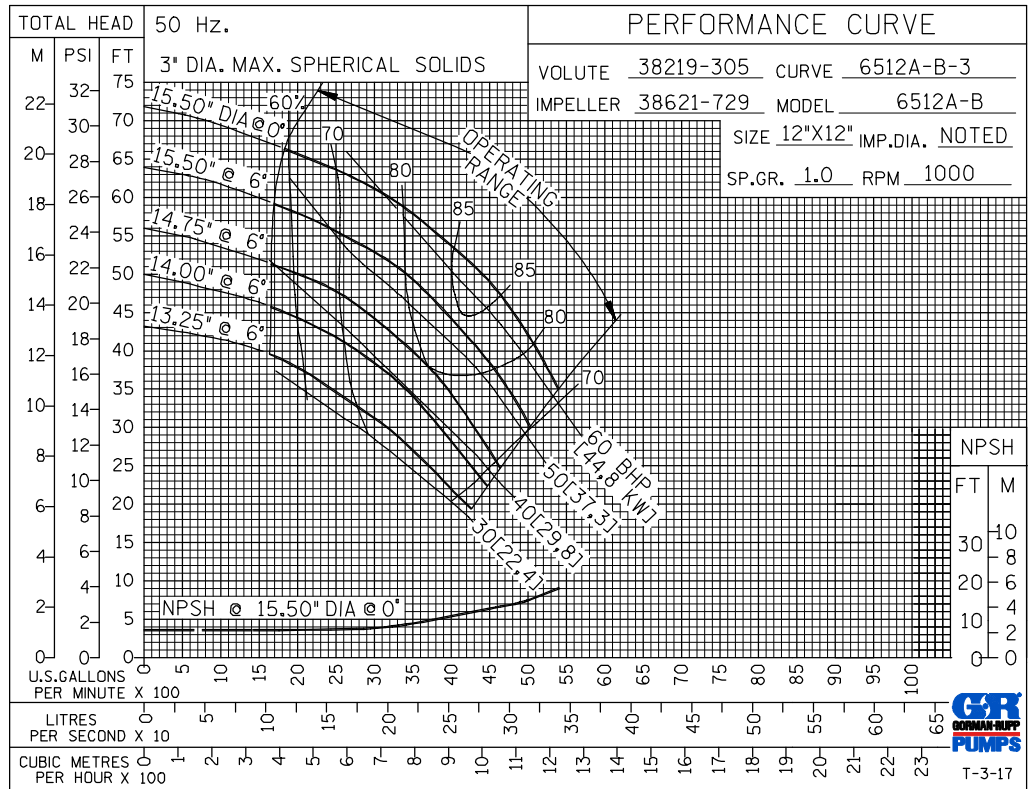
Specifications Subject to Change Without Notice

Printed in U.S.A.

**60 HERTZ  
PERFORMANCE  
BASED ON  
WATER  
TRIMMED  
IMPELLER**



**50 HERTZ  
PERFORMANCE  
BASED ON  
WATER  
TRIMMED  
IMPELLER**



GORMAN-RUPP PUMPS

www.grpumps.com

Specifications Subject to Change Without Notice

Printed in U.S.A.