



VARIOUS PATENTS APPLY

# Priming Assisted Centrifugal Pump

## Model PA6C60C-B-E50 460/3 and PA6C60C-B-E50 575/3

### Size 6" x 6"



Total Head		Capacity of Pump in U.S. Gallons per Minute (GPM) at Continuous Performance		
P.S.I.	Feet			
46.8	108	440	440	440
43.4	100	840	840	840
39.0	90	1020	1140	1140
34.7	80	1100	1390	1390
30.3	70	1130	1510	1600
26.0	60	1135	1520	1750
21.7	50	1140	1525	1800
17.4	40	1140	1525	1800
13.0	30	1140	1525	1800
8.7	20	1140	1525	1800
<b>Suction Lift</b>		<b>25'</b>	<b>20'</b>	<b>15'</b>



Shown With Optional VFD Control Panel

#### PUMP SPECIFICATIONS

**Size:** 6" x 6" (152 mm x 152 mm) Flanged.

**Casing:** Ductile Iron 65-45-12.

Maximum Operating Pressure 78 psi (538 kPa).\*

**Semi-Open Type, Two Vane Impeller:** Ductile Iron 65-45-12.

Handles 3" (76,2 mm) Diameter Spherical Solids.

**Suction Cover:** Gray Iron 30.

**Impeller Shaft:** Stainless Steel 17-4 PH.

**Replaceable Wear Plate:** Ductile Iron 80-60-03.

**Removable Cleanout Cover Plate:** Carbon Steel 1015.

**Seal Plate:** Gray Iron 30.

**Seal:** Mechanical, Oil-Lubricated. Silicon Carbide Rotating Face. Silicon Carbide Stationary Seat. Fluorocarbon Elastomers (DuPont Viton® or Equivalent). Stainless Steel 18-8 Cage and Spring. Maximum Temperature of Liquid Pumped, 160°F (71°C).\*

**Shaft Sleeve:** Stainless Steel 17-4 PH.

**Priming Chamber:** Gray Iron 30 Housing w/Stainless Steel Float and Linkage.

**Discharge Check Valve:** Ductile Iron Housing w/Buna-N Flapper.

**Radial/Thrust Bearings:** Open Double Ball.

**Bearing and Seal Cavity Lubrication:** SAE 30 Non-Detergent Oil.

**Gaskets:** Resistant Synthetic Rubber, Vegetable Fiber and Buna-N.

**O-Rings:** Buna-N.

**Hardware:** Standard Plated Steel.

**Bearing and Seal Cavity Oil Level Sight Gauges.**

\*Consult Factory for Applications Exceeding Maximum Pressure and/or Temperature Indicated.

**Standard Equipment:** Hoisting Bail. Belt Driven Air Compressor. Skid Base. Strainer. Control Box.

**Optional Equipment:** NPT Suction/Discharge Flanges. NPT Threaded Flange Kit. [Single Ball Type Float Switch](#).\*\* IntegriNex w/Submersible Transducer Liquid Level Sensor (50 Ft [15 M] Cable Standard, Alternate Lengths Available). VFD Control Panel Kit.

\*\*50 Ft. (15 m) Standard Length; Dual Switches and Alternate Cable Lengths Available From the Factory.

**WARNING!**

Do not use in explosive atmosphere or for pumping volatile flammable liquids.

#### MOTOR SPECIFICATIONS ‡

**Type:** Totally Enclosed Fan Cooled.

**Frame Size:** 326T.

**Power:** 50 H.P. (37,3 kW).

**Voltage/Phase:** 460/3 or 575/3.

**Hz:** 60.

**S.F. (460/3)** 1.15, **(575/3)** 1.25.

**Speed:** 1800 RPM Nominal.

**Full Load Amps:** **(460/3)** 56.9, **(575/3)** 48.5.

**Locked Rotor kVA Code:** **(460/3)** G, **(575/3)** H.

**Bearings:** Ball Type.

#### CONTROL SPECIFICATIONS

NEMA Type 3R Rain and Sleet (Ice) Resistant Enclosure. Carbon Steel with ANSI 61 Powder Coat. Auto/Manual Control with Reduced Voltage Soft Starter. 3 Pole Instantaneous Trip 100 Amp Circuit Breaker Type HMCP.

‡ Standard Specifications Shown. Alternate Motors Available - Consult Factory.



GORMAN-RUPP PUMPS

www.grpumps.com

Specifications Subject to Change Without Notice

Printed in U.S.A.

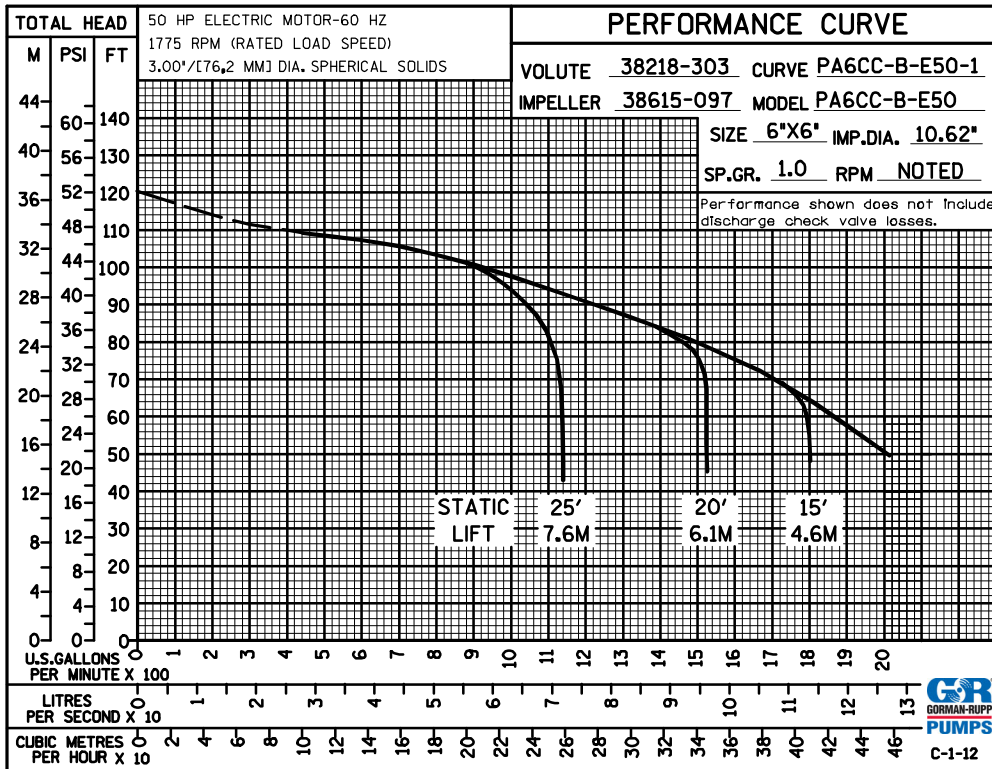
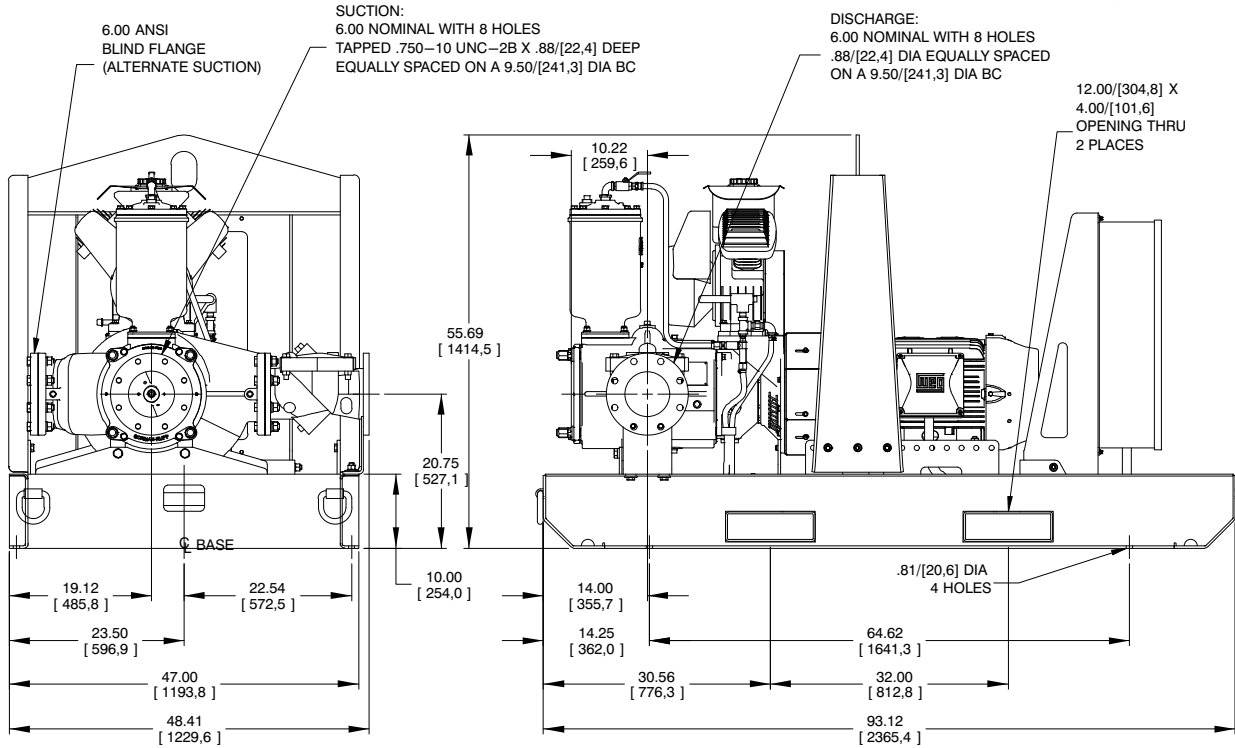
**Specification Data**

SECTION 42, PAGE 610

APPROXIMATE DIMENSIONS and WEIGHTS

**NET WEIGHT: 2500 LBS. (1134 KG.)**  
**SHIPPING WEIGHT: 2700 LBS. (1225 KG.)**  
**EXPORT CRATE SIZE: 247 CU. FT. (7 CU. M.)**

POWERED BY: 50 HP, 1800 RPM, 326T FRAME MOTOR



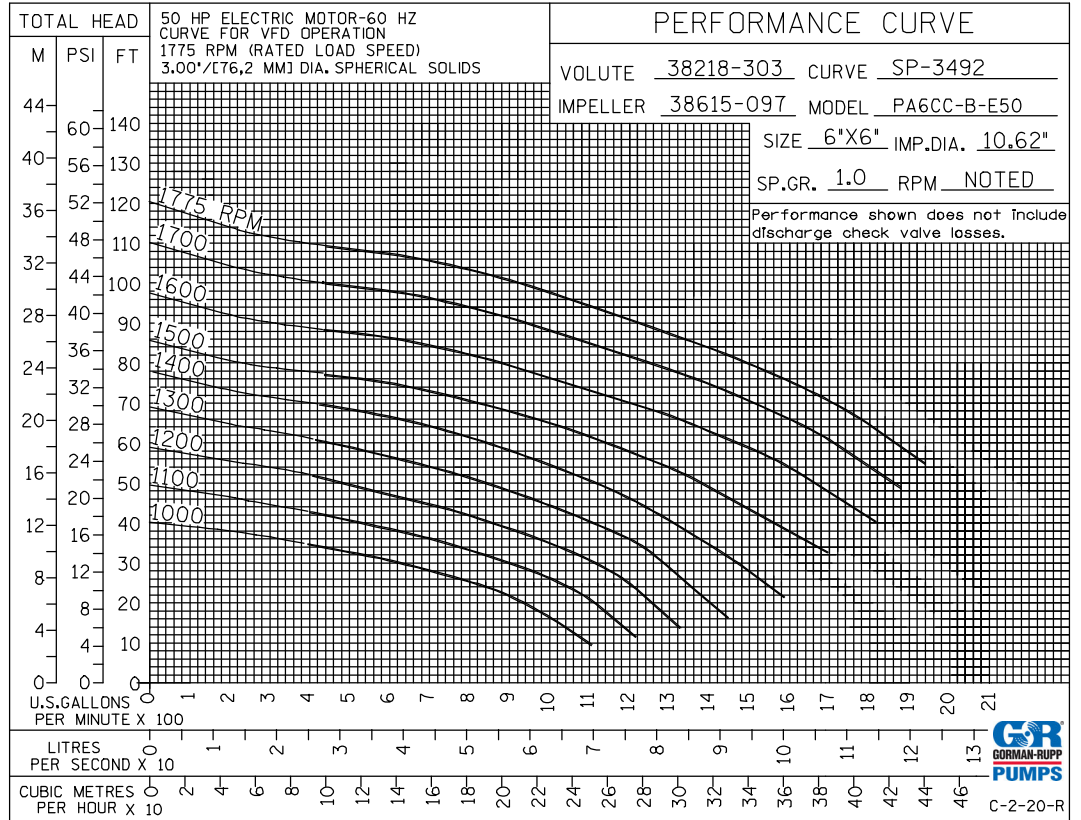
**GORMAN-RUPP PUMPS**

www.grpumps.com

Specifications Subject to Change Without Notice

Printed in U.S.A.

**60 HERTZ  
PERFORMANCE  
BASED ON  
WATER  
FOR USE WITH  
OPTIONAL VFD  
CONTROL PANEL**



**GORMAN-RUPP PUMPS**

www.grpumps.com

Specifications Subject to Change Without Notice

Printed in U.S.A.