



Priming Assisted Centrifugal
Environmental Silent Pump w/Autostart
Model PA4A60-4045T S5-ESP
Size 4" x 4"



Total Head		Capacity of Pump in U.S. Gallons per Minute (GPM) at Continuous Performance				
P.S.I.	Feet					
61.6	142	200	200	200	200	200
52.0	120	408	545	675	750	750
43.4	100	428	580	730	854	990
34.7	80	432	589	740	867	1000
26.0	60	435	591	744	871	1010
17.3	40	437	592	746	876	1015
Suction Lift		25'	20'	15'	10'	5'

PUMP SPECIFICATIONS

Size: 4" x 4" (102 mm x 102 mm) Flanged.

Casing: Gray Iron 30.

Maximum Operating Pressure 104 psi (717 kPa).*

Semi-Open Type, Two Vane Impeller: Ductile Iron 65-45-12.

Handles 3" (76 mm) Diameter Spherical Solids.

Impeller Shaft: Stainless Steel 17-4 PH

Replaceable Wear Plate: Carbon Steel 1015.

Intermediate Bracket: Gray Iron 30.

Seal Plate: Gray Iron 30.

Seal: Cartridge Type, Mechanical, Oil-Lubricated, Double Floating, Self-Aligning. Silicon Carbide Rotating and Stationary Faces. Stainless Steel 316 Stationary Seat. Fluorocarbon Elastomers (DuPont Viton® or Equivalent). Stainless Steel 18-8 Cage and Spring. Maximum Temperature of Liquid Pumped 160°F (71°C).*

Shaft Sleeve: Alloy Steel 4130.

Priming Chamber: Gray Iron 30 Housing w/Stainless Steel Float and Linkage.

Discharge Check Valve: Ductile Iron Housing with Welded Nickel Seat and Buna-N Flapper.

Radial Bearing: Open Single Ball.

Thrust Bearing: Open Double Ball.

Bearing and Seal Cavity Lubrication: SAE 30 Non-Detergent Oil.

Gaskets: Resistant Synthetic Rubber, Cork, PTFE, Vegetable Fiber and Compressed Synthetic Fibers.

O-Rings: Buna-N.

Hardware: Standard Plated Steel.

Bearing and Seal Cavity Oil Level Sight Gauges.

*Consult Factory for Applications Exceeding Maximum Pressure and/or Temperature Indicated.

Standard Equipment: Hoisting Bail. Combination Skid Base w/Fuel Tank. Gear-Driven Air Compressor. Soundproof (EPA Average 73 dBA at 23 feet [7 meters] under load) Lightweight Aluminum Enclosure - Removable for Maintenance of Pump or Engine - w/Lockable Door Panels. [Full Feature Control Panel Single Ball Type Float Switch](#).**

Optional Equipment: Battery. Skid-Base Kit. Heated Priming Chamber Kit. Suction and Discharge NPT Threaded Flange Kits. High Speed (55 MPH/89 KM/H) Single Axle Pneumatic-Tired Wheel Kit w/w DOT-Approved Lights and Electric Brakes. [Tandem Axle Over-the-Road Trailer](#) (Meets DOT Requirements) Available w/ Either Electric or Hydraulic Surge Brakes, Running Lights, Jack Stands and Safety Cables. Liquid Level Transducer.

**50 Ft. (15 m) Standard Length; Dual Switches and Alternate Cable Lengths Available From the Factory.



WARNING!
Do not use in explosive atmosphere or for pumping volatile flammable liquids.

ENGINE SPECIFICATIONS

Model: John Deere 4045T.

EPA Tier: Stage 5.

Type: Four Cylinder, Turbocharged, Diesel Engine.

Displacement: 275 Cu. In. (4,5 liters).

Lubrication: Forced Circulation.

Air Cleaner: Dry Type.

Fuel Tank: 70 U.S. Gals. (265 liters).

Full Load Operating Time: 28.0 Hrs.

Starter: 12V Electric.

Standard Features: Muffler w/Guard and Weather Cap, DOC/DPF Exhaust After-Treatment System.

Engine Control Features: Padlockable Box with Throttle Control, Tachometer, Coolant Temperature, Oil Pressure, Voltage and Overstart Indicators/Shutdowns. Manual/Stop/Auto Keyswitch. Audible Startup Warning Delay. Fuel Level Display/Alarm/Shutdown.

JOHN DEERE PUBLISHED PERFORMANCE:

Maximum Net Continuous BHP

74 (55 kW) @ 2400 RPM



GORMAN-RUPP PUMPS

www.grpumps.com

Specifications Subject to Change Without Notice

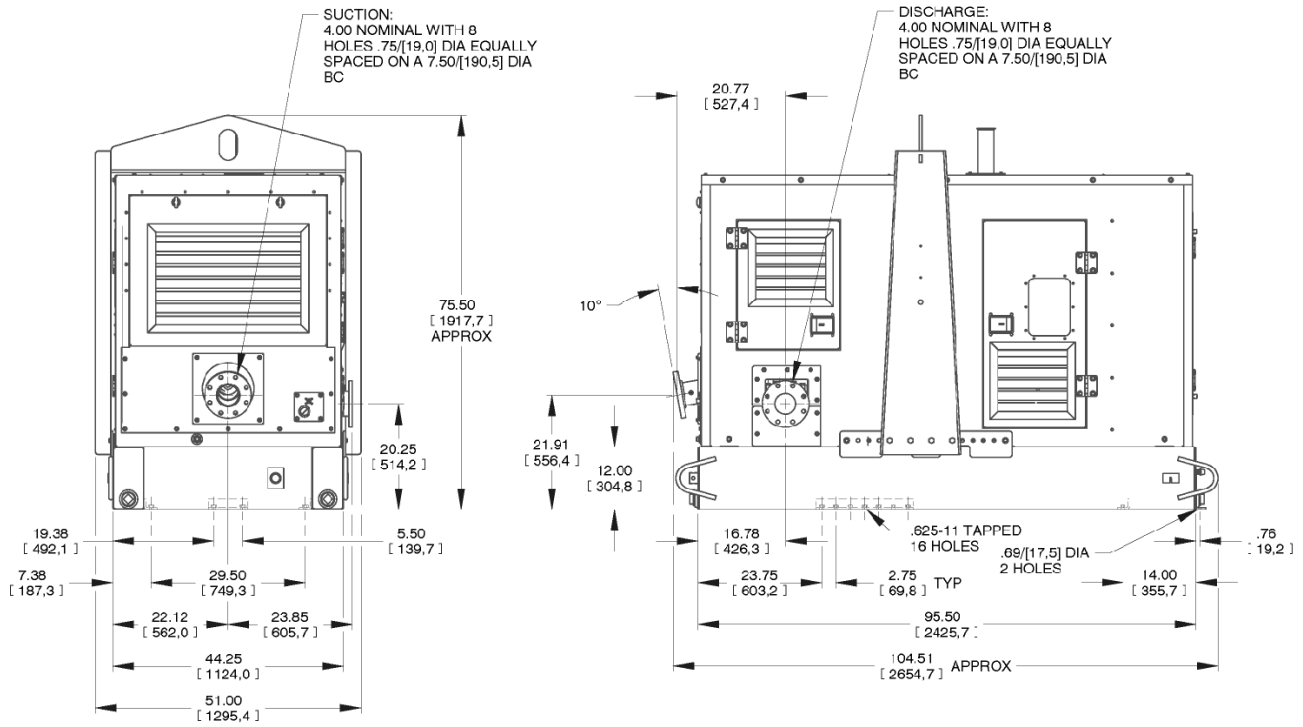
Printed in U.S.A.

Specification Data

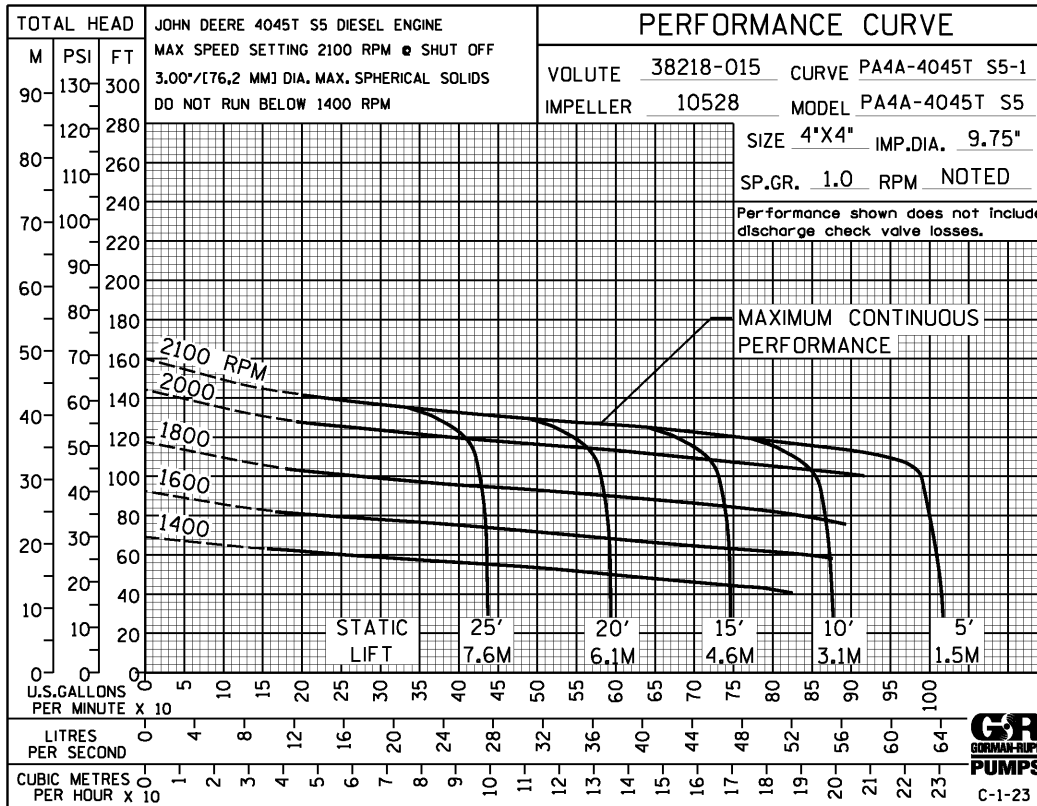
SECTION 42, PAGE 231

APPROXIMATE
DIMENSIONS and WEIGHTS

NET WEIGHT: 3670 LBS. (1665 KG.)
SHIPPING WEIGHT: 3930 LBS. (1783 KG.)
EXPORT CRATE SIZE: 276 CU. FT. (7,8 CU. M)



POWERED BY: JOHN DEERE 4045T S5 DIESEL ENGINE



GORMAN-RUPP PUMPS

www.grpumps.com

Specifications Subject to Change Without Notice

Printed in U.S.A.