

ACS

Use With: OM-04417  
MR-04838

PUBLICATION NUMBER PL-04696-01  
May 1, 1997  
Rev. B 06-20-12



# PUMP MODELS

## SM4H65—X10 460/575/3

**MANUAL**  
**PART 2 of 3**

**PARTS**  
**LIST**  
**WITH**  
**PERFORMANCE CURVE**

**THE GORMAN-RUPP COMPANY • MANSFIELD, OHIO**

[www.gormanrupp.com](http://www.gormanrupp.com)

**GORMAN-RUPP OF CANADA LIMITED • ST. THOMAS, ONTARIO, CANADA**

Printed in U.S.A.

©1997 The Gorman-Rupp Company

Register your new  
Gorman-Rupp pump online at  
**[www.grpumps.com](http://www.grpumps.com)**

Valid serial number and e-mail address required.

**RECORD YOUR PUMP MODEL AND SERIAL NUMBER**

Please record your pump model and serial number in the spaces provided below. Your Gorman-Rupp distributor needs this information when you require parts or service.

Pump Model: \_\_\_\_\_

Serial Number: \_\_\_\_\_

## PERFORMANCE CURVE – SECTION A

### RECORDING MODEL AND SERIAL NUMBERS

Please record the pump model and serial number in the spaces provided below and in the separate Installation/Operation Manual accompanying your pump. Your Gorman-Rupp distributor needs this information when you require parts or service.

Pump Model: \_\_\_\_\_

Serial Number: \_\_\_\_\_

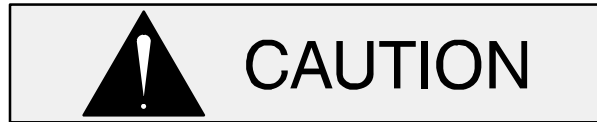
### WARRANTY INFORMATION

The pump warranty is provided as part of Gorman-Rupp's support program for customers who operate and maintain their equipment as described in this manual and other accompanying literature. Please note that should the equipment be abused or modified to change its performance beyond the original factory specifications, the warranty will become void and any claim will be denied.

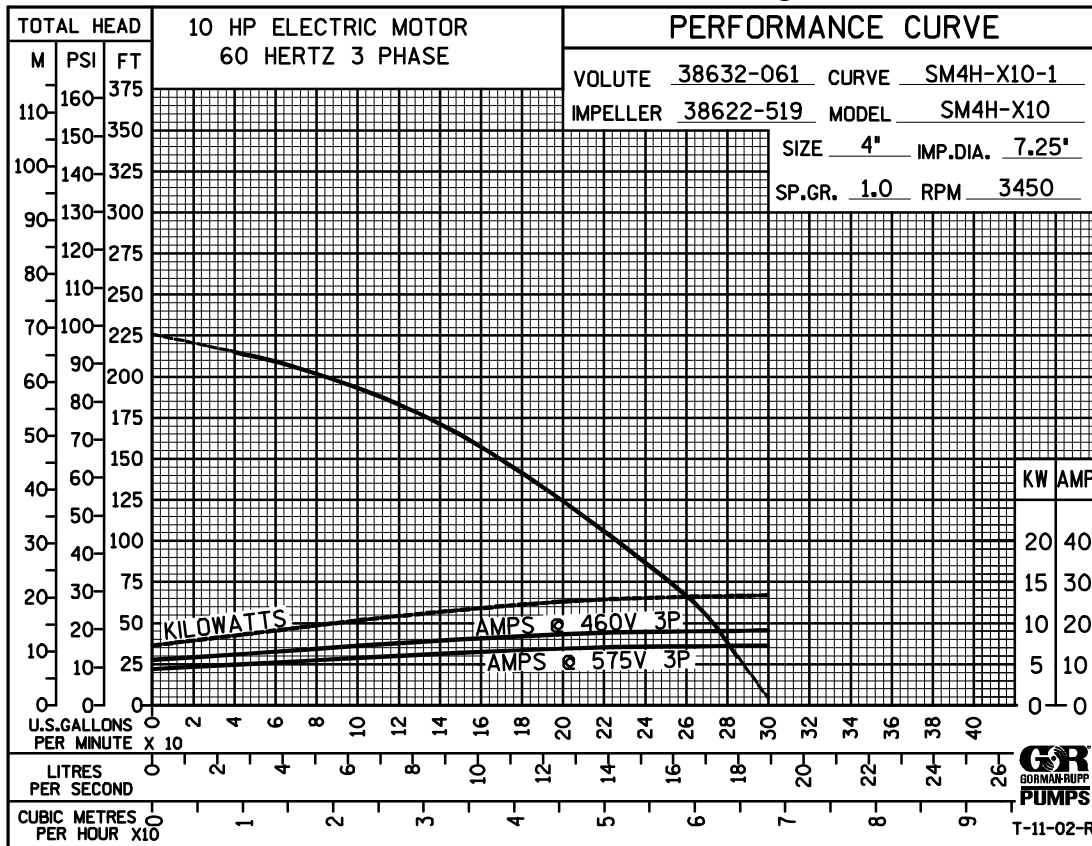
### PERFORMANCE CURVES

The performance curve on the following page is based on 70°F (21°C) clear water at sea level. Since pump installations are seldom identical, your performance may be different due to such factors as viscosity, specific gravity, elevation, temperature, and impeller trim.

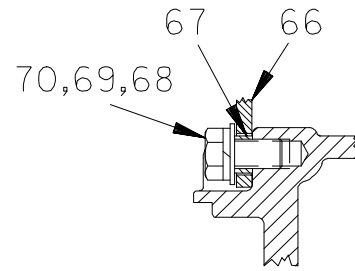
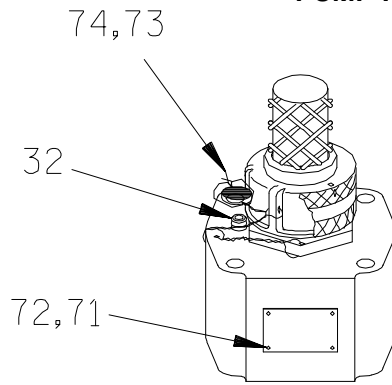
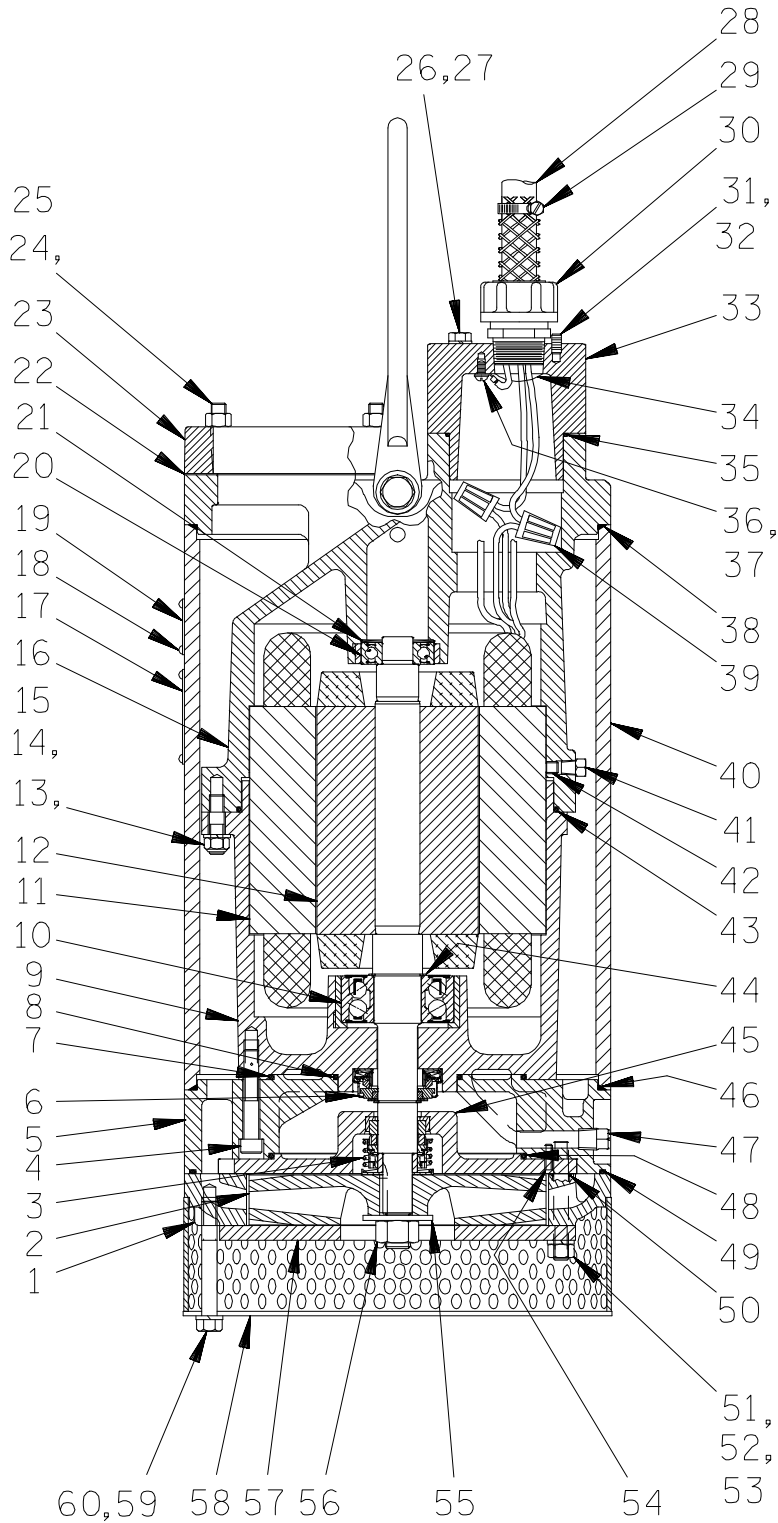
If your pump serial number is followed by an "N", your pump is **NOT** a standard production model. Contact the Gorman-Rupp Company to verify performance or part numbers.



Pump speed and operating condition points must be within the continuous performance range shown on the curve(s).

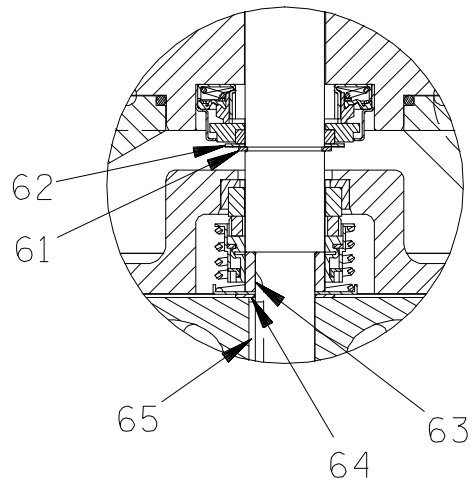


**Performance Curve – Model SM4H65–X10 460/575/3**



DETAIL OF HOIST BAIL

SEAL AREA DETAIL



**THE GORMAN-RUPP COMPANY • MANSFIELD, OHIO**

GORMAN-RUPP OF CANADA LIMITED • ST. THOMAS, ONTARIO, CANADA

Printed in U.S.A.

# SM4H65—X10 460/575/3

ACS

## S/N 1143972 Up PUMP ISSUE 1

If your pump serial number is followed by an "N", your pump is **NOT** a standard production model. Contact the Gorman-Rupp Company to verify part numbers.

ITEM NO.	PART NAME	PART NUMBER	MAT'L CODE	QTY	ITEM NO.	PART NAME	PART NUMBER	MAT'L CODE	QTY
1	DIFFUSER	38632-061	1718H	1	39	CONNECTOR	S1718	----	5
2 *	IMPELLER	38622-519	1718H	1	40	PUMP CASING	38311-806	17040	1
3 *	LOWER SEAL ASSY	46512-070	----	1	41	PIPE PLUG	38649-022	17090	2
4	SOC HD CAPSCREW	DM0609	17090	3	42	ALLEN HD SETSCREW	GA0501 1/4	15990	2
5	INTERMEDIATE	38261-027	17040	1	43 *	MOTOR HSG O-RING	25154-265	----	1
6 *	UPPER SEAL ASSY	25276-031	----	1	44	BRG SNAP RING	S1831	----	1
7 *	INTERMEDIATE O-RING	25152-259	----	1	45	SEAL PLATE	13882	1718H	1
8 *	MOTOR HSG O-RING	25152-234	----	1	46 *	INTERMEDIATE O-RING	25154-274	----	1
9	LOWER MOTOR HSG	38311-059	17040	1	47	SEAL CVTY DRAIN PLUG	P04	17090	1
10 *	LOWER BALL BEARING	23431-303	----	1	48 *	SEAL PLATE O-RING	25152-259	----	1
11	STATOR				49 *	INTERMEDIATE O-RING	25154-274	----	1
	-460/3	47113-845	----	1	50 *	DIFFUSER O-RING	25154-012	----	3
	-575/3	47113-842	----	1	51	STUD	C0612	17090	3
12	ROTOR & SHAFT ASSY	47112-818	----	1	52	LOCKWASHER	J06	17090	3
13	STUD	C0606	17090	8	53	HEX NUT	D06	17090	3
14	DEFORM LOCKNUT	DD06	17090	8	54	FLAT HD MACH SCREW	Y#10-03	17090	3
15	LOCKWASHER	J06	17090	8	55	FLAT WASHER	KB10	17090	1
16	UPPER MOTOR HSG	38311-043	17040	1	56	HEX NUT	D10S	17090	1
17	MSHA PLATE	2613ES	17040	2	57 *	WEAR PLATE	11948A	1718H	1
18	DRIVE SCREW	BM#04-03	17090	12	58	STRAINER ASSY	11969	17050	1
19	NAME PLATE	2613DD	17040	1	59	HEX HD CAPSCREW	B0612	17090	3
20 *	UPPER BALL BEARING	23257-009	----	1	60	LOCKWASHER	J06	17090	3
21	SPRING WASHER	S1554	----	1	61	RETAINING RING	24124-332	----	1
22 *	DISCH FLANGE GSKT	11957G	19370	1	62 *	ADJ SHIM SET	2X	17090	1
23	DISCH FLANGE	11957	17070	1	63 *	SLEEVE	13878	17090	1
24	STUD	C0609	17090	4	64 *	IMP ADJ SHIM SET	2Y	17090	1
25	HEX NUT	D06	17090	4	65	IMPELLER SHAFT KEY	N0303 1/2	17090	1
26	HEX HD CAPSCREW	B0511	17090	4	66	HOIST BAIL	11959	24170	1
27	LOCKWASHER	J05	17090	4	67	BUSHING	9562	17120	2
28	CABLE ASSY 50 FT	47351-011	----	1	68	FLAT WASHER	KE08	17090	2
29	HOSE CLAMP	26518-766	----	1	69	LOCKWASHER	J08	17090	2
30	CABLE GRIP ASSY	27111-816	----	1	70	HEX HD CAPSCREW	B0804	17090	2
31	ALLEN HD SETSCREW	GA0401	17090	1	71	APPROVAL PLATE	38813-030	17040	1
32	ALLEN HD SETSCREW	GA0402	17090	1	72	DRIVE SCREW	BM#04-03	17090	4
33	TERMINAL HOUSING	38381-225	17040	1	73	SEALING WIRE	14964-103	----	1
34	RTV SEALANT	18771-106	----	1	74	LEAD SEAL	21188-002	----	1
35 *	TERMINAL HSG O-RING	25154-149	----	1		OPTIONAL:			
36	T TYPE LOCKWASHER	AK#10	15991	2		STAGING ADAPTER KIT	48272-014	----	1
37	RD HD MACH SCREW	X#10-01 1/2	14990	2					
38 *	MOTOR HSG O-RING	25154-274	----	1					

\* INDICATES PARTS RECOMMENDED FOR STOCK

## THE GORMAN-RUPP COMPANY • MANSFIELD, OHIO

GORMAN-RUPP OF CANADA LIMITED • ST. THOMAS, ONTARIO, CANADA

Printed in U.S.A.

**For U.S. and International Warranty Information,  
Please Visit [www.grpumps.com/warranty](http://www.grpumps.com/warranty)  
or call:  
U.S.: 419-755-1280  
International: +1-419-755-1352**

**For Canadian Warranty Information,  
Please Visit [www.grcanada.com/warranty](http://www.grcanada.com/warranty)  
or call:  
519-631-2870**