

ACSU

Use With: OM-04151
MR-04152

PUBLICATION NUMBER PL-04690-01

May 1, 1997

Rev. B 02/10/06

Supersedes: PL-04691-011



PUMP MODEL
S4H65-E10 460/575/3

MANUAL
PART 2 of 3

PARTS
LIST
WITH
PERFORMANCE CURVE

THE GORMAN-RUPP COMPANY • MANSFIELD, OHIO

www.gormanrupp.com

GORMAN-RUPP OF CANADA LIMITED • ST. THOMAS, ONTARIO, CANADA

Printed in U.S.A.

©Copyright by the Gorman-Rupp Company

PERFORMANCE CURVE – SECTION A

RECORDING MODEL AND SERIAL NUMBERS

Please record the pump model and serial number in the spaces provided below and in the separate Installation/Operation Manual accompanying your pump. Your Gorman-Rupp distributor needs this information when you require parts or service.

Pump Model: _____

Serial Number: _____

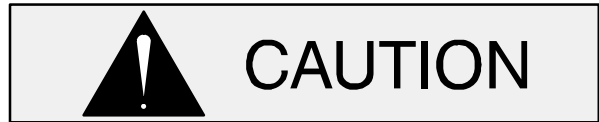
WARRANTY INFORMATION

The pump warranty is provided as part of Gorman-Rupp's support program for customers who operate and maintain their equipment as described in this manual and other accompanying literature. Please note that should the equipment be abused or modified to change its performance beyond the original factory specifications, the warranty will become void and any claim will be denied.

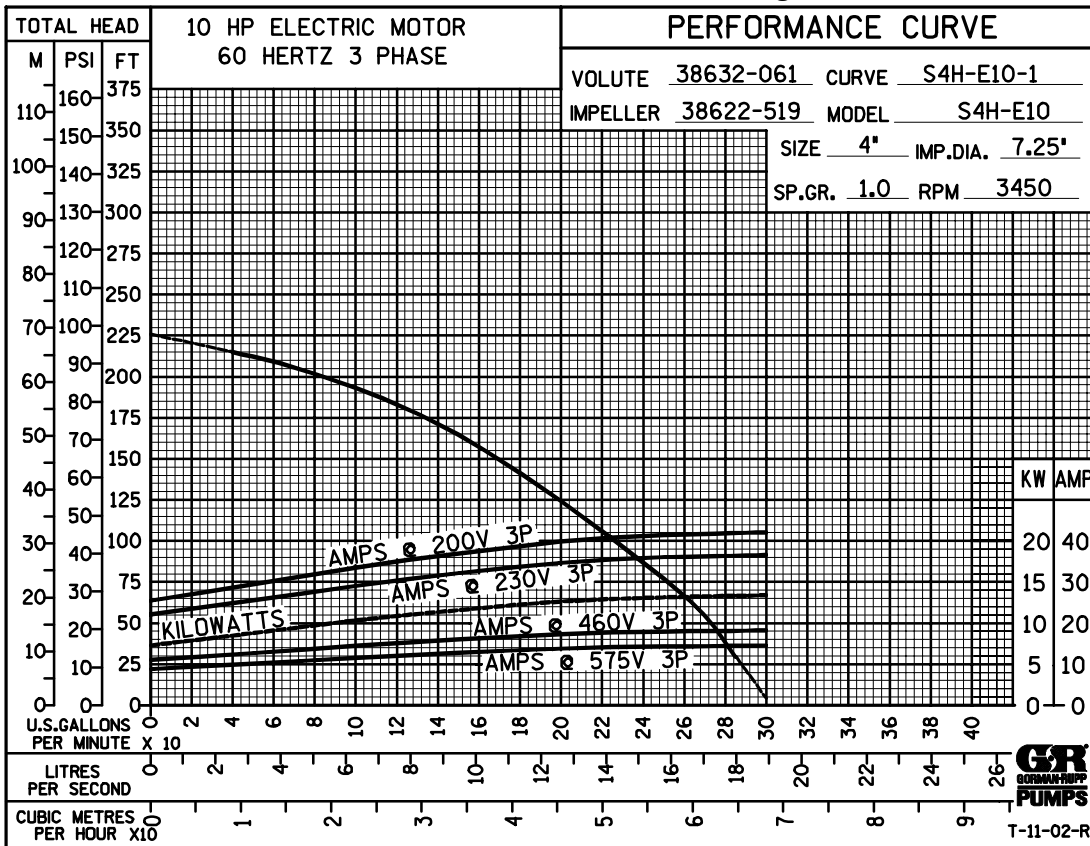
PERFORMANCE CURVES

The performance curve below is based on 70° F (21° C) clear water at sea level. Since pump installations are seldom identical, your performance may be different due to such factors as viscosity, specific gravity, elevation, temperature, and impeller trim.

If your pump serial number is followed by an "N", your pump is **NOT** a standard production model. Contact the Gorman-Rupp Company to verify performance or part numbers.

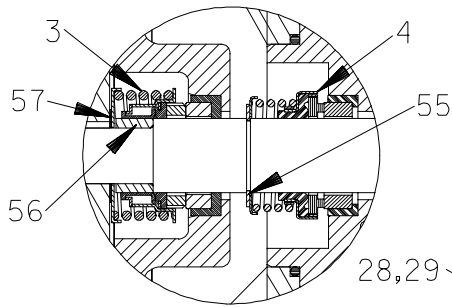


Pump speed and operating condition points must be within the continuous performance range shown on the curve(s).

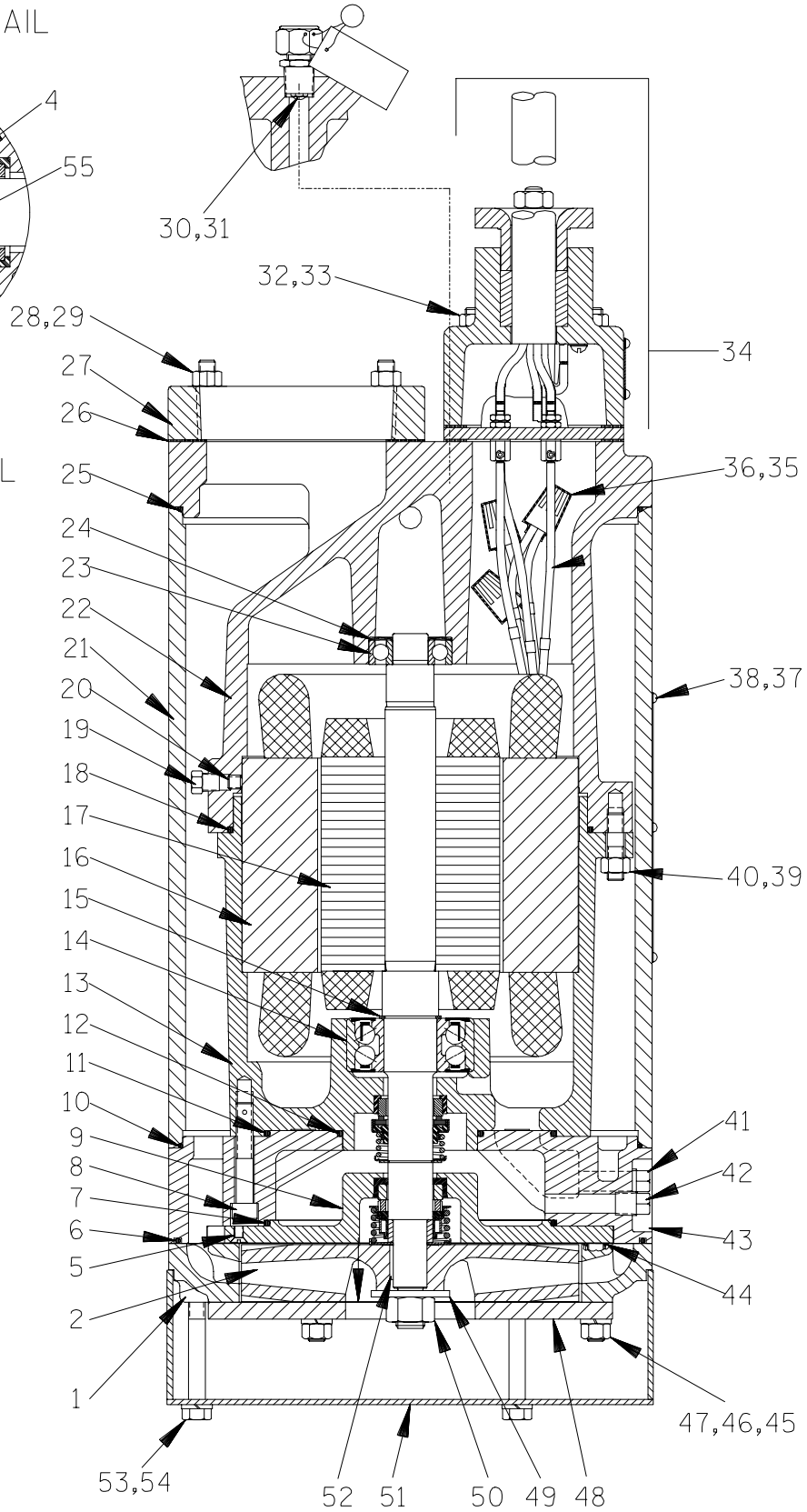
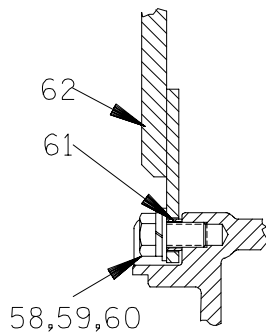


Performance Curve – Model S4H65–E10 460/575/3

SEAL AREA DETAIL



HOIST BAIL DETAIL



THE GORMAN-RUPP COMPANY • MANSFIELD, OHIO

GORMAN-RUPP OF CANADA LIMITED • ST. THOMAS, ONTARIO, CANADA

Printed in U.S.A.

MAY 1, 1997

Rev. B 02/10/06

©Copyright by the Gorman-Rupp Company

1 of 4

Page 150.4 H25

S/N 1129913 Up
PUMP ISSUE 1

If your pump serial number is followed by an "N", your pump is **NOT** a standard production model. Contact the Gorman-Rupp Company to verify part numbers.

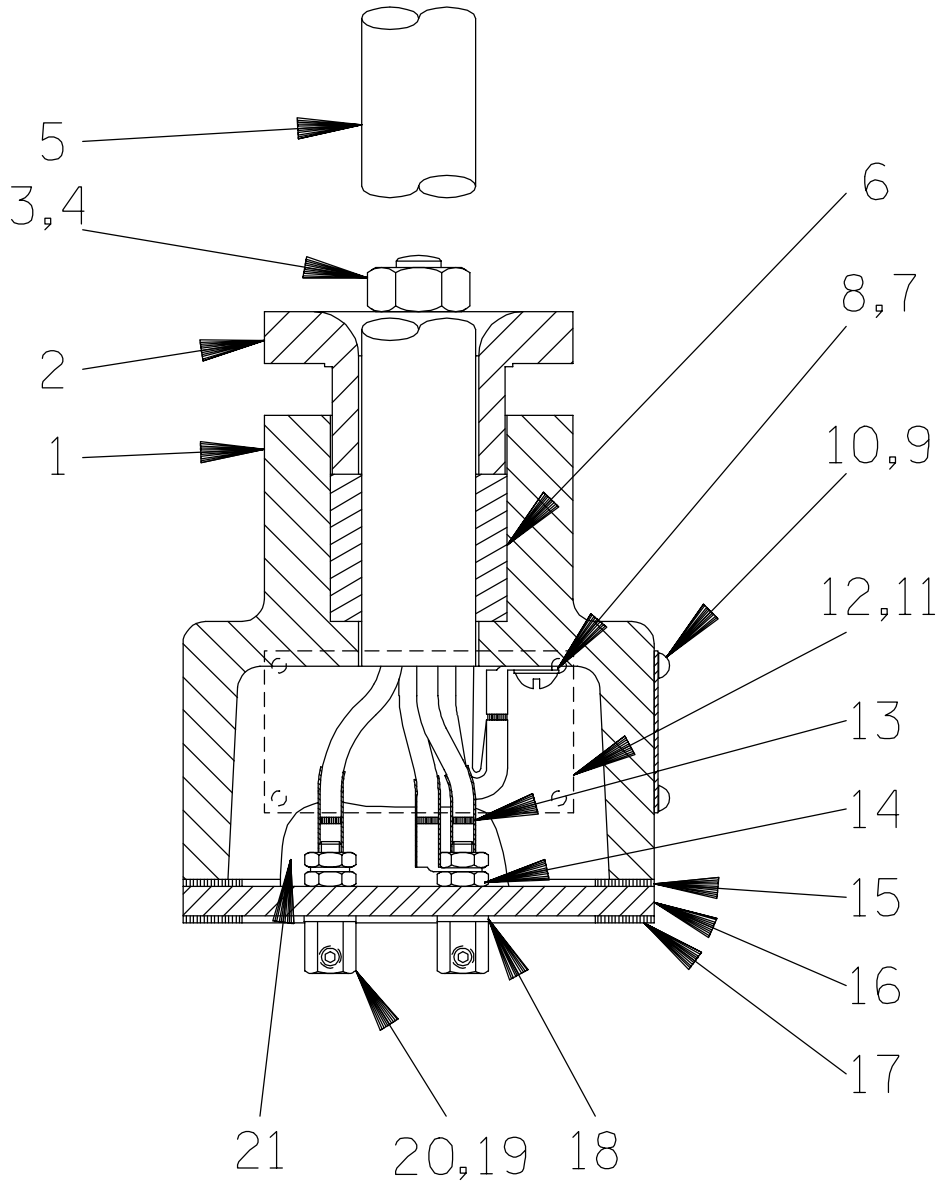
ITEM NO.	PART NAME	PART NUMBER	MAT'L CODE	QTY	ITEM NO.	PART NAME	PART NUMBER	MAT'L CODE	QTY
1	DIFFUSER	38632-061	1718H	1	43	INTERMEDIATE	38261-025	17070	1
2 *	IMPELLER	38622-519	1718H	1	44 *	O-RING	25154-012	----	3
3 *	SEAL ASSY	46512-070	----	1	45	STUD	C0612	17090	3
4	SEAL	S1832	----	1	46	LOCKWASHER	J06	17090	3
5	HD MACH SCREW	Y#10-03	17090	3	47	HEX NUT	D06	17090	3
6 *	O-RING	25154-274	----	1	48 *	WEAR PLATE	11948A	1718H	1
7 *	O-RING	25154-259	----	1	49	FLAT WASHER	KB10	17090	1
8	HD CAPSCREW	DM0609	17090	3	50	HEX NUT	D10S	17090	1
9	SEAL PLATE	13882	1718H	1	51	STRAINER	11969	17050	1
10 *	O-RING	25154-274	----	1	52	KEY	N0303 1/2	17090	1
11 *	O-RING	25154-259	----	1	53	LOCKWASHER	J06	17090	3
12 *	O-RING	25154-234	----	1	54	HEX HD CAPSCREW	B0612	17090	3
13	LOWER MOTOR HSG	38311-060	17070	1	55	RETAINING RING	24124-332	----	1
14 *	BALL BEARING	23431-303	----	1	56	SLEEVE	13878	17090	1
15	SNAP RING	S1831	----	1	57	ADJ SHIM SET	2Y	17090	1
16	STATOR				58	FLAT WASHER	KE08	17090	2
	-460/3	47113-844	----	1	59	LOCKWASHER	J08	17090	2
	-575/3	47113-846	----	1	60	HEX HD CAPSCREW	B0804	17090	2
17	ROTOR & SHAFT ASSY	47112-817	----	1	61	BUSHING	9562	17120	2
18 *	O-RING	25154-265	----	1	62	HOIST BAIL	11959	24170	1
19	PIPE PLUG	38649-022	17090	2	NOT SHOWN:				
20	SOC HD SETSCREW	GA0501 1/4	17090	2		MOTOR VOLT TAG	6588AA	----	1
21	PUMP CASING	38311-806	17040	1		SUB PUMP OIL	9568	----	1
22	UPR MTR HSG	38311-032	17070	1		CONTROL BOX			
23 *	BALL BEARING	S1044	----	1		-460/3	27515-503	----	1
24	SPRING WASHER	S1554	----	1		-575/3	27515-513	----	1
25 *	O-RING	25154-274	----	1		CABLE TIE	27111-212	----	1
26 *	DISCH FLANGE GSKT	11957G	19370	1		HEATER PACK			
27	DISCH FLANGE	11957	17070	1		-460/3	27521-205	----	1
28	STUD	C0609	17090	4		-575/3	27521-204	----	1
29	HEX NUT	D06	17090	4		INSTRUCTION TAG	6588AC	----	1
30	RELIEF VLV ASSY	46431-646	----	1		MOTOR PLATE	10436	17050	1
31	RED PIPE BUSHING	AP0604	17090	1		DRIVE SCREW	BM#04-03	17090	4
32	STUD	C0513	17090	4	OPTIONAL:				
33	HEX NUT	D05	17090	4		STAGING ADAPTOR KIT	48272-014	----	1
34	TERM HSG & CAB ASSY	47367-056	----	1		HEAT SHRINK TERM KIT	48315-006	----	1
35	CONNECTOR	S1718	----	3		ANODE PLATE ASSY	42116-003	----	1
36	HEAT-SHRINK TUBE	31411-235	19450	3		REPAIR GASKET SET	11000AL	----	1
37	NAME PLATE	38818-039	17090	1	LIQUID LEVEL DEVICES:				
38	DRIVE SCREW	BM#04-03	17090	6		-DIAPHRAGM TYPE	GRP48-03 or GRP48-06		1
39	STUD	C0606	17090	8		-FLOAT SWITCH	27471-180	----	1
40	HEX NUT	DD06	17090	8		-120V LIQ LVL CTRL SW	27521-321	----	1
41	MTR CAVITY DRAIN PLUG	P04	17090	1					
42	SEAL CVTY DRAIN PLUG	P04	17090	1					

* INDICATES PARTS RECOMMENDED FOR STOCK

THE GORMAN-RUPP COMPANY • MANSFIELD, OHIO

GORMAN-RUPP OF CANADA LIMITED • ST. THOMAS, ONTARIO, CANADA

Printed in U.S.A.



THE GORMAN-RUPP COMPANY • MANSFIELD, OHIO

GORMAN-RUPP OF CANADA LIMITED • ST. THOMAS, ONTARIO, CANADA

Printed in U.S.A.

S/N 1129913 Up
PUMP ISSUE 1

Terminal Housing

If your pump serial number is followed by an "N", your pump is **NOT** a standard production model. Contact the Gorman-Rupp Company to verify part numbers.

ITEM NO.	PART NAME	PART NUMBER	MAT'L CODE	QTY
1	TERMINAL HOUSING	38381—232	17070	1
2	TERMINAL CAP	38381—625	17070	1
3	STUD	C0606	17090	2
4	HEX NUT	D06	17090	2
5	CABLE ASSY	47351—056	---	1
6	BUSHING	10758L	19540	1
7	RD HD MACH SCREW	X#10—02	14990	2
8	T-TYPE LOCKWASHER	AK#10	15991	2
9	INFORMATION PLATE	38816—047	17050	1
10	DRIVE SCREW	BM#04—03	17090	4
11	MOTOR PLATE	10436	17050	1
12	DRIVE SCREW	BM#04—03	17090	4
13	HEAT-SHRINK TUBE	31411—233	19530	3
14	HEX NUT	D#10	14990	6
15	* TERMINAL PLATE GASKET	38687—525	19370	1
16	TERMINAL PLATE	38713—008	23010	1
17	* TERMINAL PLATE GASKET	38687—525	19370	1
18	DYNA-SEAL WASHER	S1590	---	3
19	TERMINAL	11181	14100	3
20	ALLEN HD SETSCREW	GA#10—01S	15991	3
21	1 OZ RTV SEALANT	18771—106	---	1

* INDICATES PARTS RECOMMENDED FOR STOCK

THE GORMAN-RUPP COMPANY • MANSFIELD, OHIO

GORMAN-RUPP OF CANADA LIMITED • ST. THOMAS, ONTARIO, CANADA

Printed in U.S.A.

**For U.S. and International Warranty Information,
Please Visit www.grpumps.com/warranty
or call:
U.S.: 419-755-1280
International: +1-419-755-1352**

**For Canadian Warranty Information,
Please Visit www.grcanada.com/warranty
or call:
519-631-2870**