

AC

Use With: OM-04151
MR-04152

PUBLICATION NUMBER PL-04682-01
Pump Issue 1
May 1, 1997



**PUMP MODEL
S4H1 – E10 230/3**

**MANUAL
PART 2 of 3**

**PARTS
LIST
WITH
PERFORMANCE CURVE**

THE GORMAN-RUPP COMPANY • MANSFIELD, OHIO

GORMAN-RUPP OF CANADA LIMITED • ST. THOMAS, ONTARIO, CANADA Printed in U.S.A.

©Copyright by the Gorman-Rupp Company

PERFORMANCE CURVE – SECTION A

RECORDING MODEL AND SERIAL NUMBERS

Please record the pump model and serial number in the spaces provided below and in the separate Installation/Operation Manual accompanying your pump. Your Gorman-Rupp distributor needs this information when you require parts or service.

Pump Model: _____

Serial Number: _____

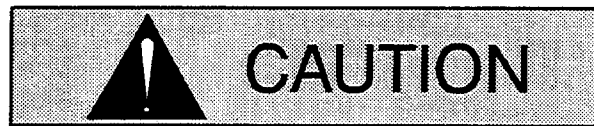
WARRANTY INFORMATION

The pump warranty is provided as part of Gorman-Rupp's support program for customers who operate and maintain their equipment as described in this manual and other accompanying literature. Please note that should the equipment be abused or modified to change its performance beyond the original factory specifications, the warranty will become void and any claim will be denied.

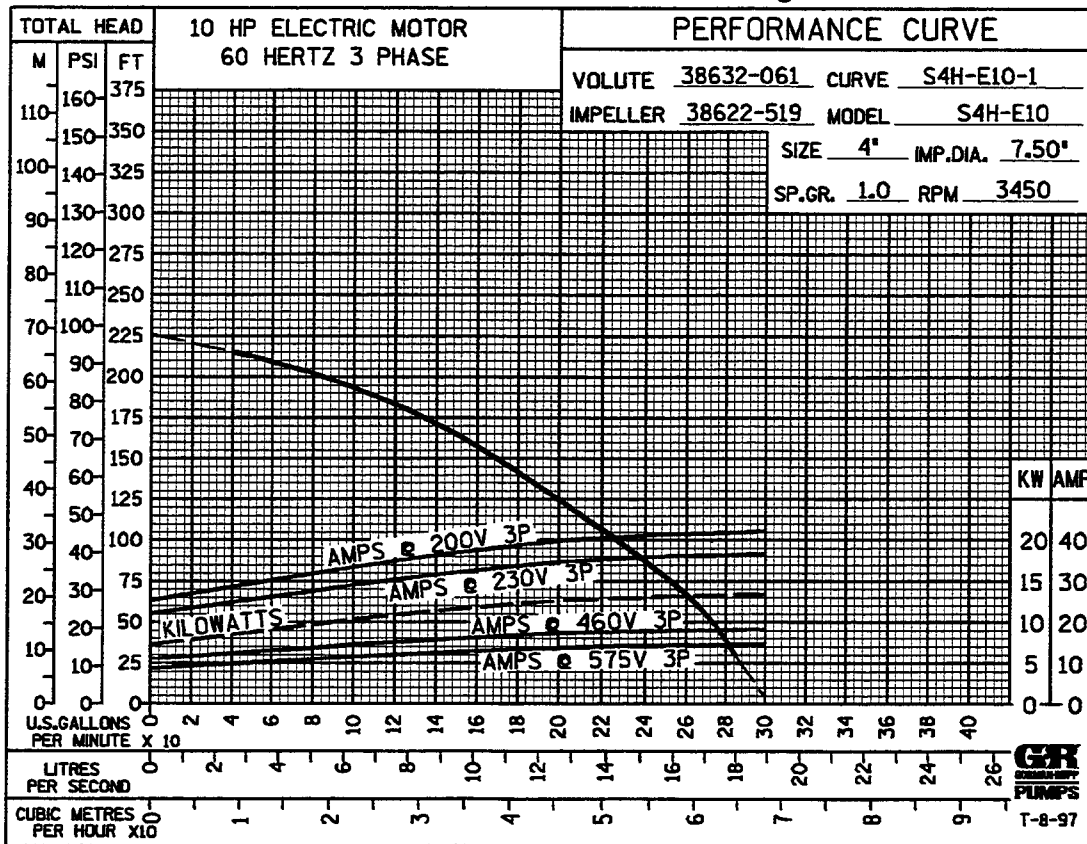
PERFORMANCE CURVES

The performance curve on the following page is based on 70° F (21° C) clear water at sea level. Since pump installations are seldom identical, your performance may be different due to such factors as viscosity, specific gravity, elevation, temperature, and impeller trim.

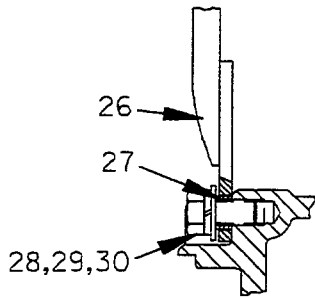
If your pump serial number is followed by an "N", your pump is **NOT** a standard production model. Contact the Gorman-Rupp Company to verify performance or part numbers.



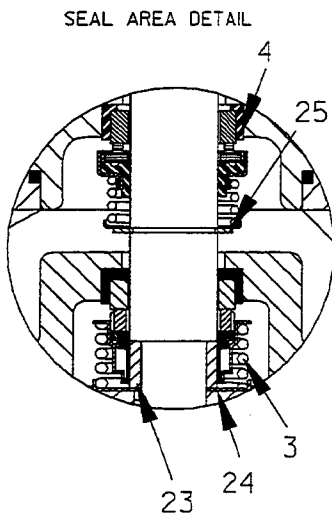
Pump speed and operating condition points must be within the continuous performance range shown on the curve(s).



Performance Curve – Model S4H1 – E10 230/3

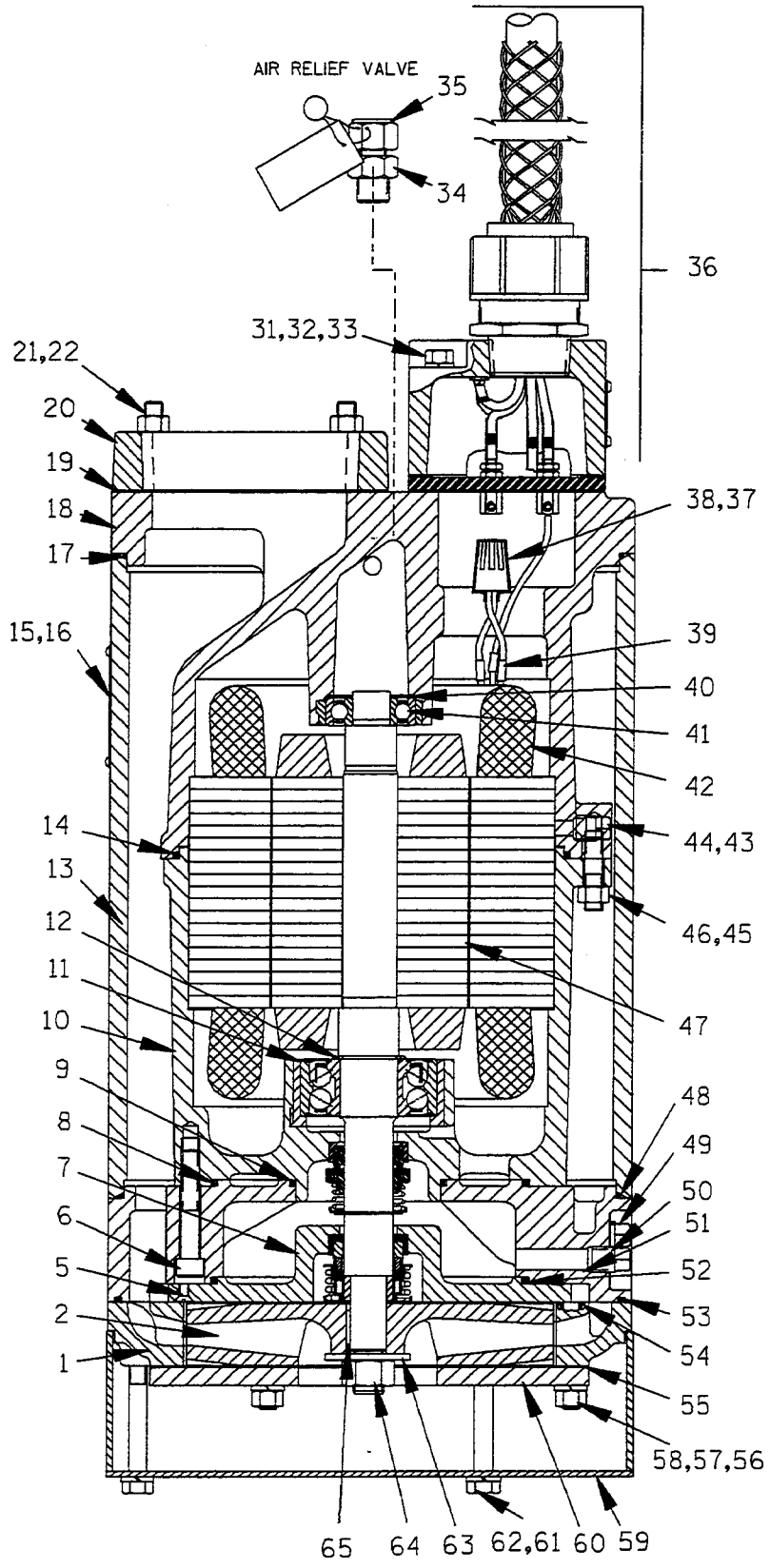
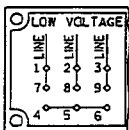


HOIST BAIL DETAIL



SEAL AREA DETAIL

230 VOLT WIRING DIAGRAM



THE GORMAN-RUPP COMPANY • MANSFIELD, OHIO

GORMAN-RUPP OF CANADA LIMITED • ST. THOMAS, ONTARIO, CANADA

Printed in U.S.A.

S/N 1129913 Up
PUMP ISSUE 1

If your pump serial number is followed by an "N", your pump is **NOT** a standard production model. Contact the Gorman-Rupp Company to verify part numbers.

ITEM NO.	PART NAME	PART NUMBER	MAT'L CODE	QTY	ITEM NO.	PART NAME	PART NUMBER	MAT'L CODE	QTY
1	DIFFUSER	38632-061	1102H	1	43	A HD SETSCREW	GA0501 1/4	15990	2
2 *	IMPELLER	38622-519	1102H	1	44	PIPE PLUG	38649-022	17030	2
3 *	SEAL ASSY	46512-057	----	1	45	STUD	C0606	17000	8
4	SEAL	S1832	----	1	46	DEFORM LK NUT	DD06	17000	8
5	MACH SCREW	Y#10-03	17000	3	47	ROTOR W/SHAFT	47112-816	----	1
6	SOC HD CAPSCREW	DM0609	17000	3	48 *	O-RING	S1830	----	1
7	SEAL PLATE	13882	1102H	1	49	PIPE PLUG	P04	17000	1
8 *	O-RING	25152-259	----	1	50	PIPE PLUG	P04	17000	1
9 *	O-RING	25152-234	----	1	51	INTERMEDIATE	13883	13040	1
10	MTR HOUSING	38311-049	13040	1	52 *	O-RING	25152-259	----	1
11 *	BALL BEARING	23431-303	----	1	53 *	O-RING	S1830	----	1
12	SNAP RING	S1831	----	1	54 *	O-RING	25152-012	----	3
13	PUMP CASING	11982	13175	1	55 *	GASKET	38683-655	20000	1
14 *	O-RING	25152-265	----	1	56	STUD	C0612	17000	3
15	NAME PLATE	38814-055	17000	1	57	LOCK WASHER	J06	17000	3
16	DRIVE SCREW	BM#04-03	17000	4	58	HEX NUT	D06	17000	3
17 *	O-RING	S1830	----	1	59	STRAINER ASSY	11969	2400V	1
18	UPR MOTOR HSG	38311-058	13000	1	60 *	WEAR PLATE	11948A	15010	1
19 *	GASKET	11957G	20000	1	61	HEX HD CAPSCREW	B0612	15991	3
20	DISCH FLANGE	11957	13040	1	62	LOCK WASHER	J06	15991	3
21	STUD	C0609	15991	4	63	FLAT WASHER	KB10	17000	1
22	HEX NUT	D06	15991	4	64	HEX NUT	D10S	17000	1
23 *	SHAFT SLEEVE	13878	17020	1	65 *	KEY	N0303 1/2	17000	1
24 *	ADJ SHIM SET	2Y	17090	1					
25 *	RETAINING RING	S362	----	1					
26	HOIST BAIL	11959	2400V	1					
27 *	BUSHING	9562	15991	2					
28	HEX HD CAPSCREW	B0804	15991	2					
29	LOCK WASHER	J08	15991	2					
30	FLAT WASHER	KE08	15991	2					
31	STUD	C0513	15991	4					
32	LOCK WASHER	J05	15991	4					
33	HEX NUT	D05	15991	4					
34	RED PIPE BUSH	AP0604	15079	1					
35	RELIEF VLV ASSY	46431-608	----	1					
36	TERM HSG & CAB ASSY	47367-062	----	1					
37	CONNECTOR	S1718	----	3					
38	HEAT SHRINK TUBE	31411-235	19450	3					
39	WIRE MARKER KIT	S2274	----	1					
40	SPRING WASHER	S1554	----	1					
41 *	BALL BEARING	S1044	----	1					
42	STATOR	47113-844	----	1					

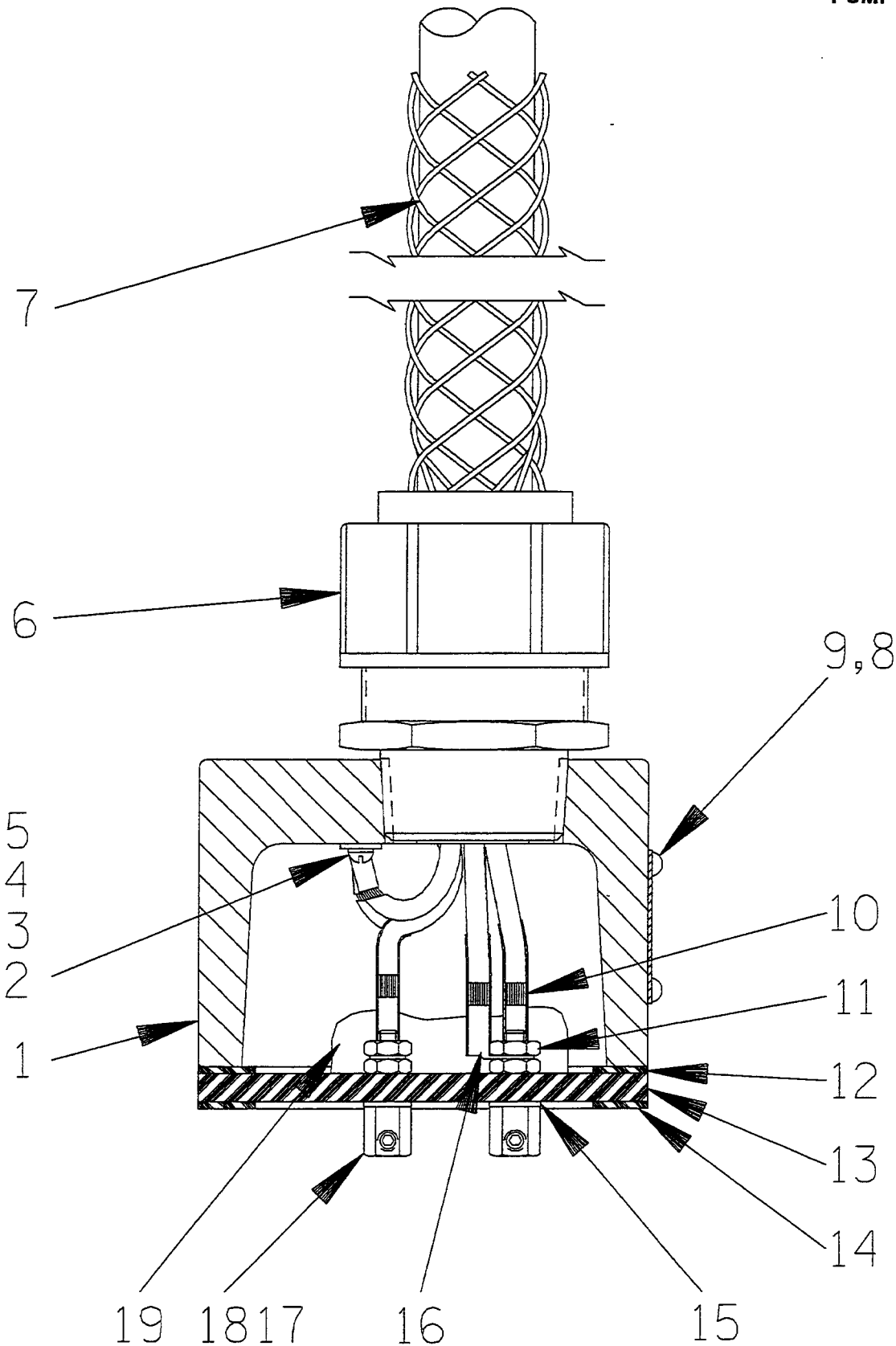
NOT SHOWN:									
	CABLE TIE	27111-212	----	1					
	MOTOR PLATE	10436	17000	1					
	DRIVE SCREW	BM#04-03	17000	4					
	QTS SUB PUMP OIL	9568	----	1					
	VOLTAGE TAG	6588Z	----	1					
	INSTRUC TAG	6588AC	----	1					
	CONTROL BOX	27515-504	----	1					
	HEATER PACK	27521-207	----	1					
OPTIONAL:									
	STAGING ADAPTOR KIT	48272-013	----	1					
	HEAT SHRINK TERM KIT	48315-006	----	1					
	ANODE PLATE ASSY	42116-003	----	1					
	REPAIR GASKET SET	11000AK	----	1					
LIQUID LEVEL DEVICES:									
	- DIAPHRAGM TYPE	GRP48-03 or GRP48-06		1					
	- FLOAT SWITCH	27471-180	----	1					
	- 120V LIQ LVL CTRL SW	27521-321	----	1					

* INDICATES PARTS RECOMMENDED FOR STOCK

Above Serial Numbers Do Not Apply To Pumps Made In Canada.

CANADIAN SERIAL NO. AND UP

THE GORMAN-RUPP COMPANY • MANSFIELD, OHIO



THE GORMAN-RUPP COMPANY • MANSFIELD, OHIO

GORMAN-RUPP OF CANADA LIMITED • ST. THOMAS, ONTARIO, CANADA

Printed in U.S.A.

S/N 1129913 Up
PUMP ISSUE 1

Terminal Housing

If your pump serial number is followed by an "N", your pump is **NOT** a standard production model. Contact the Gorman-Rupp Company to verify part numbers.

ITEM NO.	PART NAME	PART NUMBER	MAT'L CODE	QTY
1	TERMINAL HOUSING	38381-230	13040	1
2	RD HD MACHINE SCREW	X#10-02	15991	2
3	T TYPE LK WASHER	AK#10	15991	2
4	TERMINAL SK-E 26U	27214-243	---	1
5	TERMINAL SK-C 36U	S1836	---	1
6	CABLE GRIP ASSY	27111-026	---	1
7	* CABLE	10325T	---	1
8	INFO PLATE	38816-047	17990	1
9	DRIVE SCREW	BM#04-03	17000	4
10	* HEAT-SHRINK TUBE	31411-233	19530	3
11	HEX NUT	D#10	14990	6
12	* GASKET	38687-525	20000	1
13	TERM PLATE	38713-008	23010	1
14	GASKET	38687-525	20000	1
15	* DYNA-SEAL WASHER	S1590	---	3
16	TERMINAL SK-E 26U	27214-243	---	3
17	TERMINAL	11181	14100	3
18	A HD SETSCREW	GA#10-01S	15991	3
19	RTV SEALANT	18771-106	---	1

OPTIONAL:

HEAT SHRINK TERMINAL KIT	48315-006	---	1
--------------------------	-----------	-----	---

* INDICATES PARTS RECOMMENDED FOR STOCK

THE GORMAN-RUPP COMPANY • MANSFIELD, OHIO

**For U.S. and International Warranty Information,
Please Visit www.grpumps.com/warranty
or call:
U.S.: 419-755-1280
International: +1-419-755-1352**

**For Canadian Warranty Information,
Please Visit www.grcanada.com/warranty
or call:
519-631-2870**