

C

Use With: OM-04417
MR-04455

PUBLICATION NUMBER PL-04457-01
Pump Issue 1
April 23, 1996
Supersedes: OM-03474-01



PUMP MODEL
SM6E1 - X60 460/575/3

MANUAL
PART 2 of 3

PARTS
LIST
WITH
PERFORMANCE CURVE

THE GORMAN-RUPP COMPANY • MANSFIELD, OHIO

GORMAN-RUPP OF CANADA LIMITED • ST. THOMAS, ONTARIO, CANADA Printed in U.S.A.

©Copyright by the Gorman-Rupp Company

PERFORMANCE CURVE – SECTION A

RECORDING MODEL AND SERIAL NUMBERS

Please record the pump model and serial number in the spaces provided below and in the separate Installation/Operation Manual accompanying your pump. Your Gorman-Rupp distributor needs this information when you require parts or service.

Pump Model: _____

Serial Number: _____

WARRANTY INFORMATION

The pump warranty is provided as part of Gorman-Rupp's support program for customers who operate and maintain their equipment as described in this manual and other accompanying literature. Please note that should the equipment be abused or modified to change its performance beyond the original factory specifications, the warranty will become void and any claim will be denied.

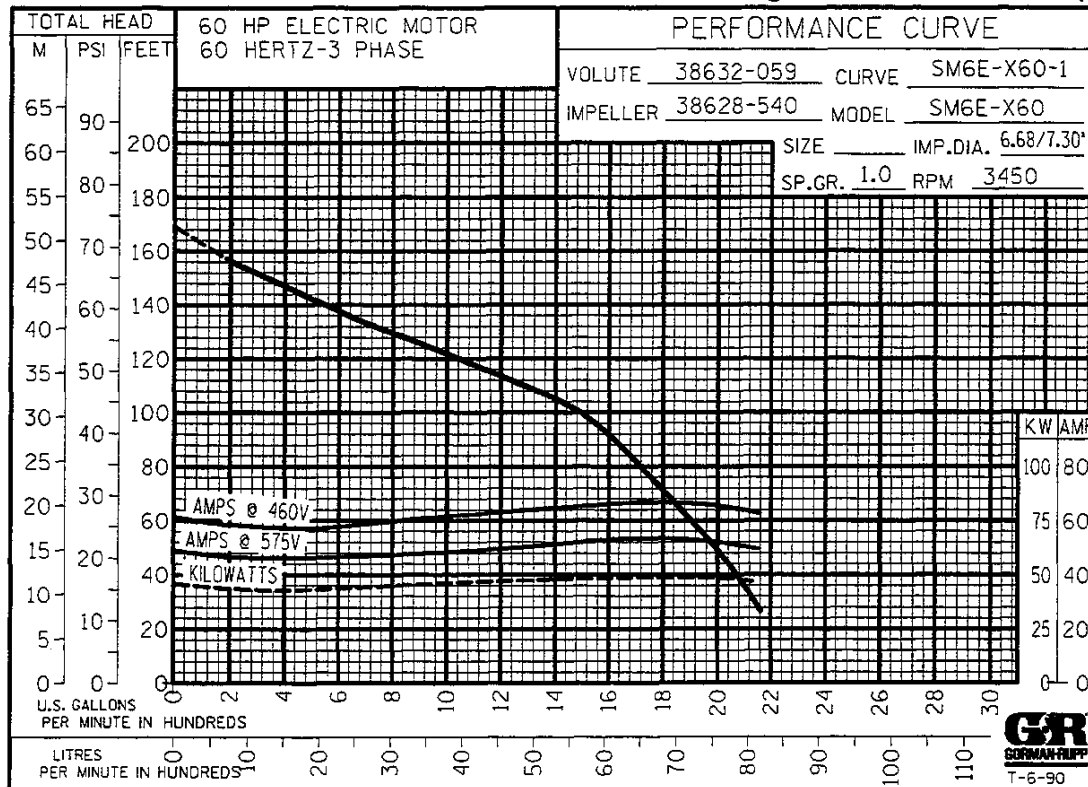
PERFORMANCE CURVES

The performance curve on this page is based on 70° F (21° C) clear water at sea level. Since pump installations are seldom identical, your performance may be different due to such factors as viscosity, specific gravity, elevation, temperature, and impeller trim.

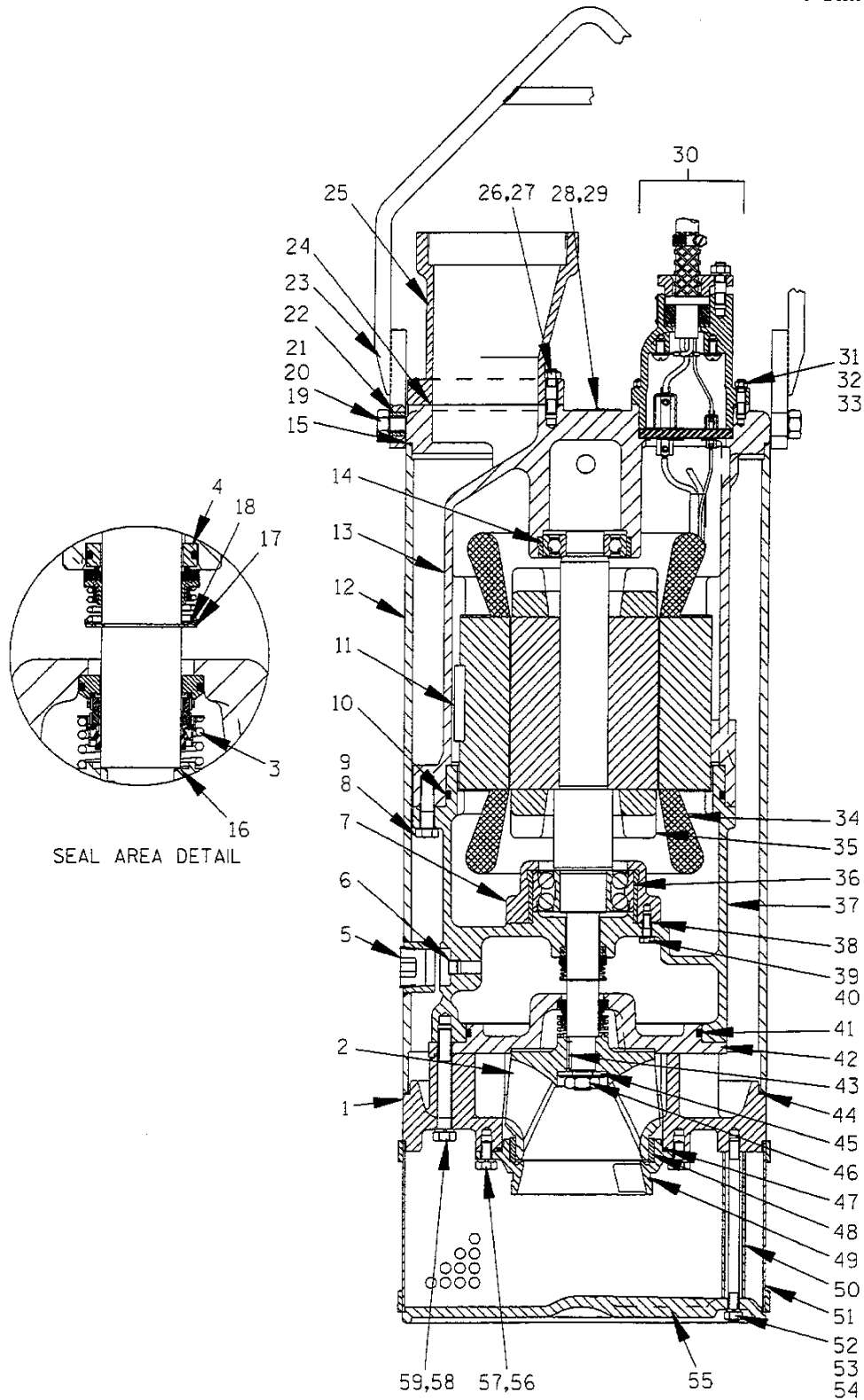
If your pump serial number is followed by an "N", your pump is **NOT** a standard production model. Contact the Gorman-Rupp Company to verify performance or part numbers.



Pump speed and operating condition points must be within the continuous performance range shown on the curve(s).



Performance Curve – Model SM6E1-X60 460/575/3



THE GORMAN-RUPP COMPANY • MANSFIELD, OHIO

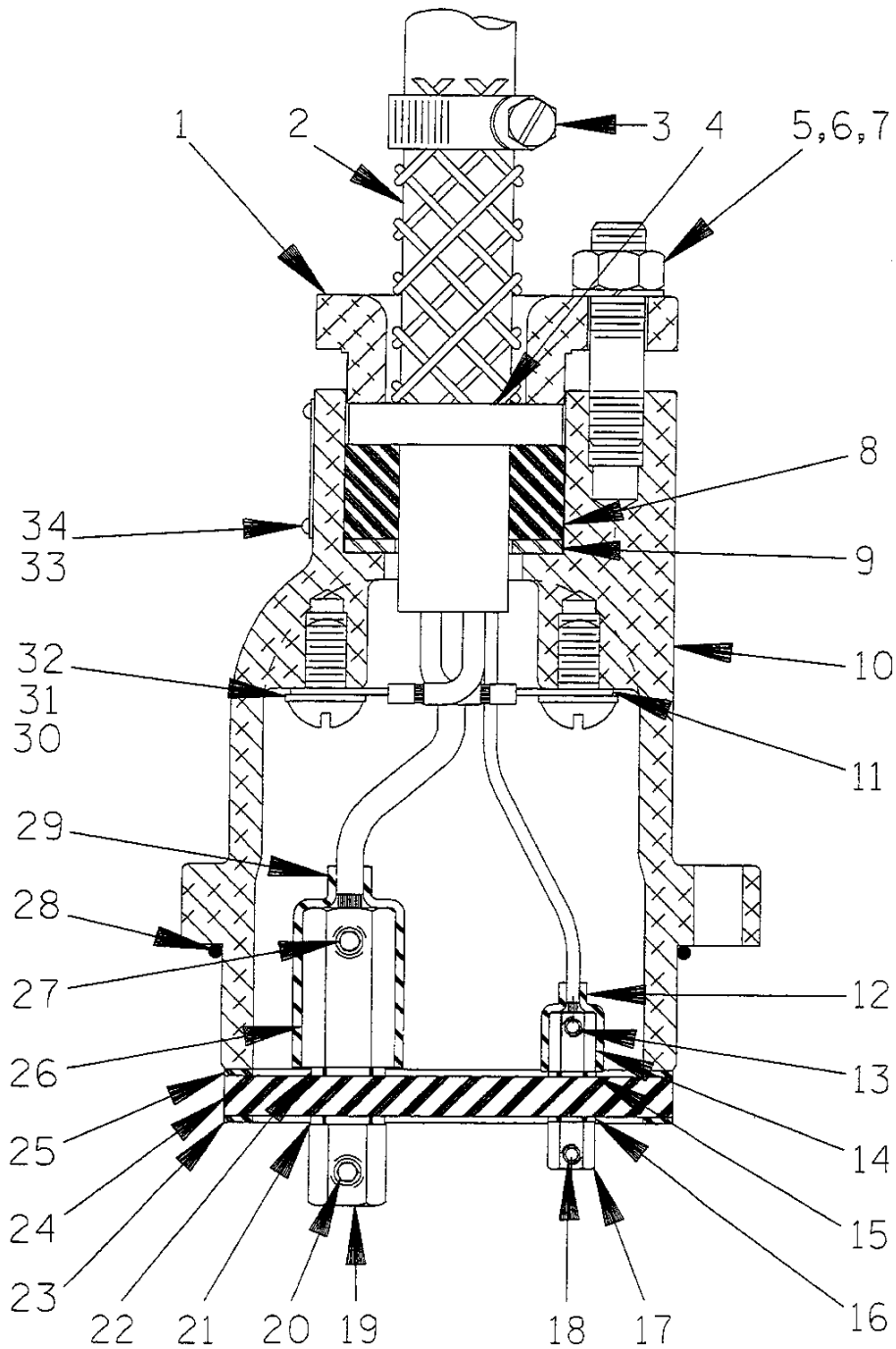
GORMAN-RUPP OF CANADA LIMITED • ST. THOMAS, ONTARIO, CANADA

Printed in U.S.A.

c

SM6E1-X60 460/575/3

S/N 1012836 Up
PUMP ISSUE 1



THE GORMAN-RUPP COMPANY • MANSFIELD, OHIO

GORMAN-RUPP OF CANADA LIMITED • ST. THOMAS, ONTARIO, CANADA

Printed in U.S.A.

3 of 4

MAY 30, 1995 Rev. A 04/23/96

©Copyright by the Gorman-Rupp Company

Page 154.6 E1

SM6E1 - X60 460/575/3

C

**S/N 1012836 Up
PUMP ISSUE 1**

ITEM NO.	PART NAME	PART NUMBER	MAT'L CODE	QTY
1	TERMINAL GLAND	38381-614	13040	1
2	* CABLE ASSY - 50 FT.	47325-012	---	1
3	HOSECLAMP	26518-667	---	1
4	* CABLE GRIP	11227K	---	1
5	STUD	C0808	17000	2
6	HEX NUT	D08	17000	2
7	LOCKWASHER	J08	17000	2
8	GLAND BUSHING	31143-067	19410	1
9	TERMINAL WASHER	31133-122	15991	1
10	TERMINAL HOUSING	38381-226	13000	1
11	TERMINAL	27214-035	---	1
12	HEAT SHRINK TUBE	31412-056	19530	2
13	ALLEN HEAD SETSCREW	GA#10-01S	15991	2
14	TERMINAL COLLAR	31811-057	14100	2
15	* DYNA SEAL WASHER	S1590	---	2
16	* DYNA SEAL WASHER	S1590	---	2
17	TERMINAL POST	11181	14100	2
18	ALLEN HEAD SETSCREW	GA#10-01S	15991	2
19	TERMINAL POST	38724-009	14100	3
20	ALLEN HEAD SETSCREW	GA0501 1/2	14990	3
21	* DYNA SEAL WASHER	S1586	---	3
22	* DYNA SEAL WASHER	S1586	---	3
23	* TERMINAL PLATE GASKET	38687-529	20000	1
24	* TERMINAL PLATE	38711-001	23010	1
25	* TERMINAL PLATE GASKET	38687-529	20000	1
26	TERMINAL COLLAR	10144	14100	3
27	ALLEN HEAD SETSCREW	GA0501 1/2	14990	3
28	* O-RING	25154-155	---	1
29	HEAT SHRINK TUBE	31413-014	19530	3
30	TERMINAL	S1550	---	1
31	ROUND HEAD MACHINE SCREW	X0603	14990	2
32	T TYPE LOCKWASHER	AK06	15991	2
33	DRIVE SCREW	BM#04-03	17000	4
34	CERTIFICATION PLATE	2613GX	17020	1

NOT SHOWN:

HOT-MELT ADHESIVE (1/2 IN. STICK)	18661-045	---	2
-----------------------------------	-----------	-----	---

* INDICATES PARTS RECOMMENDED FOR STOCK

THE GORMAN-RUPP COMPANY • MANSFIELD, OHIO

4 of 4

GORMAN-RUPP OF CANADA LIMITED • ST. THOMAS, ONTARIO, CANADA Printed in U.S.A.

Page 154.6 E1

©Copyright by the Gorman-Rupp Company

Rev. A 04/23/96

MAY 30, 1995

**For U.S. and International Warranty Information,
Please Visit www.grpumps.com/warranty**

or call:

U.S.: 419-755-1280

International: +1-419-755-1352

**For Canadian Warranty Information,
Please Visit www.grcanada.com/warranty**

or call:

519-631-2870

THE GORMAN-RUPP COMPANY • MANSFIELD, OHIO

GORMAN-RUPP OF CANADA LIMITED • ST. THOMAS, ONTARIO, CANADA