

C

Use With: OM-04417
MR-05365

PUBLICATION NUMBER PL-04454-02
March 27, 2002
Rev. A 04/03/02



PUMP MODEL
SM4J1 – X60 460/575/3

MANUAL
PART 2 of 3

PARTS
LIST
WITH
PERFORMANCE CURVE

THE GORMAN-RUPP COMPANY • MANSFIELD, OHIO

GORMAN-RUPP OF CANADA LIMITED • ST. THOMAS, ONTARIO, CANADA Printed in U.S.A.

©Copyright by the Gorman-Rupp Company

PERFORMANCE CURVE – SECTION A

RECORDING MODEL AND SERIAL NUMBERS

Please record the pump model and serial number in the spaces provided below and in the separate Installation/Operation Manual accompanying your pump. Your Gorman-Rupp distributor needs this information when you require parts or service.

Pump Model: _____

Serial Number: _____

WARRANTY INFORMATION

The pump warranty is provided as part of Gorman-Rupp's support program for customers who operate and maintain their equipment as described in this manual and other accompanying literature. Please note that should the equipment be abused or modified to change its performance beyond the original factory specifications, the warranty will become void and any claim will be denied.

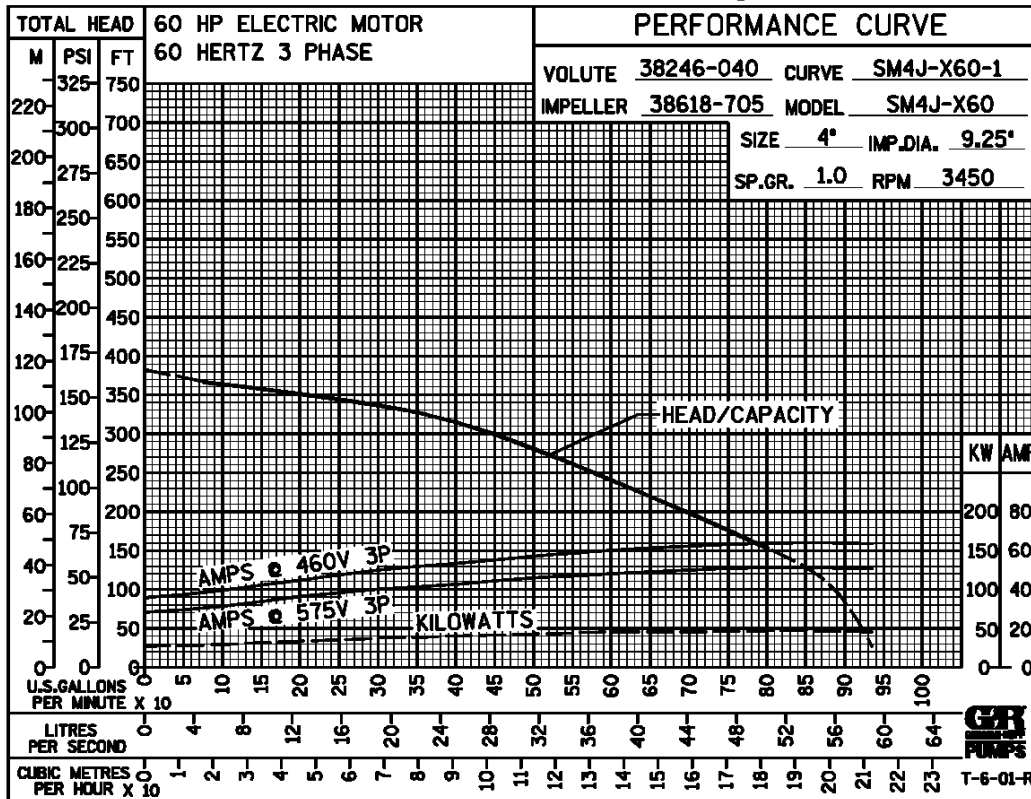
PERFORMANCE CURVES

The performance curve on this page is based on 70° F (21° C) clear water at sea level. Since pump installations are seldom identical, your performance may be different due to such factors as viscosity, specific gravity, elevation, temperature, and impeller trim.

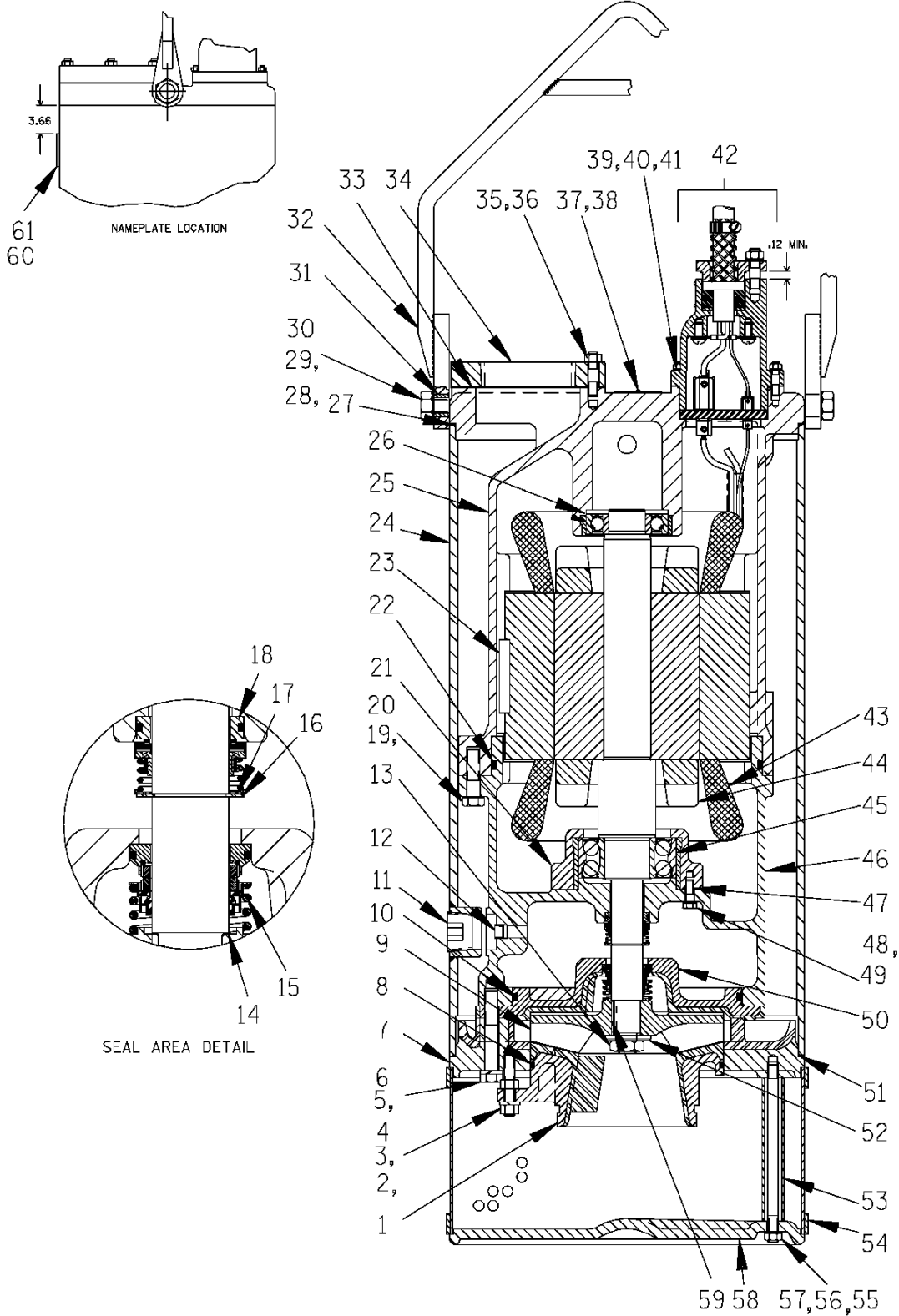
If your pump serial number is followed by an "N", your pump is **NOT** a standard production model. Contact the Gorman-Rupp Company to verify performance or part numbers.



Pump speed and operating condition points must be within the continuous performance range shown on the curve(s).



Performance Curve – Model SM4J1 – X60 460/575/3



THE GORMAN-RUPP COMPANY • MANSFIELD, OHIO

GORMAN-RUPP OF CANADA LIMITED • ST. THOMAS, ONTARIO, CANADA Printed in U.S.A.

SM4J1 – X60 460/575/3

C

**S/N 1241785 Up
PUMP ISSUE 2**

If your pump serial number is followed by an "N", your pump is **NOT** a standard production model. Contact the Gorman-Rupp Company to verify part numbers.

ITEM NO.	PART NAME	PART NUMBER	MAT'L CODE	QTY	ITEM NO.	PART NAME	PART NUMBER	MAT'L CODE	QTY
1	SUCTION HEAD	38246-040	24010	1	41	HEX NUT	D06	17000	4
2	THREADED ROD	31345-087	17000	6	42	TERM HSG/CABLE ASSY	47367-076	----	1
3	HEX NUT	D08	17000	12	43	STATOR			
4	LOCKWASHER	J08	17000	6		-460V	47113-047	----	1
5	HEX HD CAPSCREW	B1016	17000	6		-575V	47113-048	----	1
6	LOCKWASHER	J10	17000	6	44	ROTOR & SHAFT ASSY	47112-047	----	1
7	DIFFUSER	38632-066	24010	1	45 *	LWR BALL BEARING	23425-462	----	1
8 *	SUCTION HEAD O-RING	25152-372	----	1	46	LWR MOTOR HOUSING	38311-313	13000	1
9 *	IMPELLER	38618-705	1102H	1	47 *	BEARING CAP O-RING	25152-013	----	4
10 *	SEAL PLATE O-RING	S1990	----	1	48	HEX HD CAPSCREW	B0605	15991	4
11	SOCKET PIPE PLUG	PC24	17000	1	49	LOCKWASHER	J06	15991	4
12	SEAL CAVITY FILL PLUG	PC06	17000	1	50	SEAL PLATE	38272-529	24010	1
13 *	IMPELLER NUT	AT14S	17000	1	51 *	MTR HOUSING O-RING	25152-282	----	1
14 *	IMPELLER ADJ SHIM SET	37J	17090	1	52 *	IMPELLER WASHER	31131-026	17000	1
15 *	SEAL ASSEMBLY	46512-056	----	1	53	STRAINER SUPPORT	31412-034	15079	6
16	RETAINING RING	S245	----	1	54	STRAINER ASSEMBLY	46611-008	2415V	1
17 *	SPRING HOLDER	25273-273	----	1	55	STUD	C0834	15991	6
18 *	SEAL ASSEMBLY	25271-903	----	1	56	LOCKWASHER	J08	15991	6
19	HEX HD CAPSCREW	B1008	17000	6	57	HEX NUT	D08	15991	6
20	LOCKWASHER	J10	17000	6	58	BASE PLATE	38352-306	13080	1
21	BEARING CAP	38322-422	13000	1	59 *	IMPELLER KEY	N0405	17000	1
22 *	LWR MTR HSG O-RING	S1676	----	1	60	DRIVE SCREW	BM#04-03	17000	4
23 *	STATOR KEY	N0812	17000	1	61	MSHA APPROV PLATE	2613ES	17020	1
24	MOTOR HOUSING	38311-809	13000	1		NOT SHOWN:			
25	UPPER MOTOR HOUSING	38311-312	13000	1		CONTROL BOX			
26 *	UPPER BALL BEARING	23282-010	----	1		-460V	47631-156	----	1
27 *	MTR HOUSING O-RING	25152-282	----	1		-575V	47631-157	----	1
28	HEX HD CAPSCREW	B1208	15991	2		INSTRUCTION TAG	38817-073	----	1
29	LOCKWASHER	J12	15991	2		IMPELLER PULLER	48711-018	----	1
30	FLAT WASHER	K12	15991	2		5" HEAT SHRINK TUBE	18763-249	----	1
31	BAIL BUSHING	10045	15071	2		MOTOR VOLTAGE TAG			
32	HOIST BAIL	44713-026	2415V	1		-460V	6588BL	----	1
33 *	DISCH FLANGE GASKET	38687-049	20000	1		-575V	6588BM	----	1
34	DISCHARGE FLANGE	38641-303	10010	1		G-R DECAL	GR-03	----	1
35	STUD	C0809	15991	6		OPTIONAL:			
36	HEX NUT	D08	15991	6		ADI KIT			
37	NAME PLATE	2613GH	17020	1		-HEX HD CAPSCREW	B1017	17000	6
38	DRIVE SCREW	BM#04-03	17000	2		-SEAL PLATE	38272-353	1102H	1
39	STUD	C0607	17000	4		-DIFFUSER	38632-053	1102H	1
40	LOCKWASHER	J06	17000	4					

* INDICATES PARTS RECOMMENDED FOR STOCK

THE GORMAN-RUPP COMPANY • MANSFIELD, OHIO

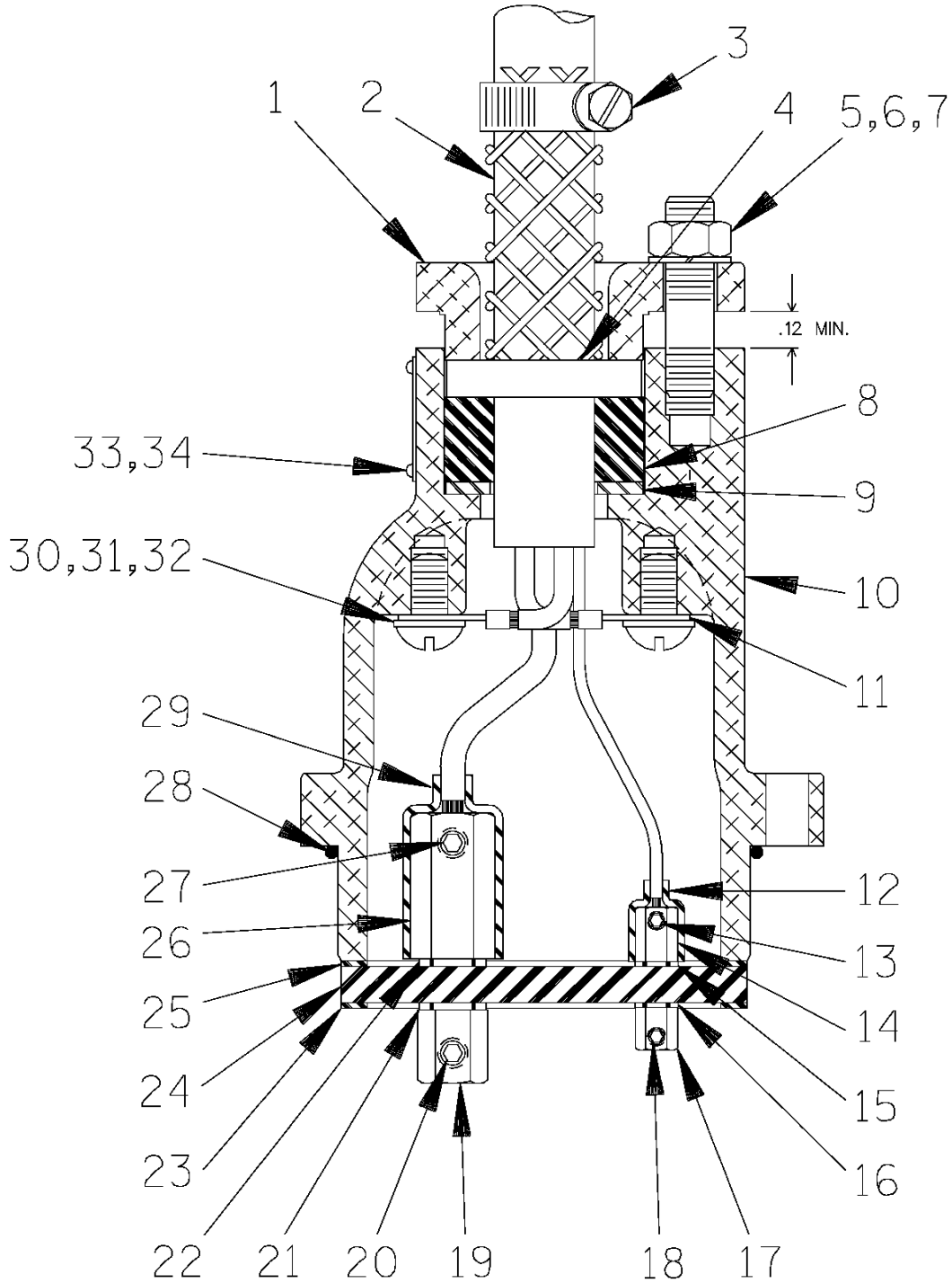
GORMAN-RUPP OF CANADA LIMITED • ST. THOMAS, ONTARIO, CANADA Printed in U.S.A.

March 27, 2002

©Copyright by the Gorman-Rupp Company

2 of 4

Page 154.4 J1



THE GORMAN-RUPP COMPANY • MANSFIELD, OHIO

S/N 1241785 Up
PUMP ISSUE 2

ITEM NO.	PART NAME	PART NUMBER	MAT'L CODE	QTY
1	TERMINAL GLAND	38381-614	13040	1
2	* CABLE ASSY - 50 FT.	47325-012	---	1
3	HOSECLAMP	26518-667	---	1
4	* CABLE GRIP	11227K	---	1
5	STUD	C0808	17000	2
6	HEX NUT	D08	17000	2
7	LOCKWASHER	J08	17000	2
8	GLAND BUSHING	31143-067	19410	1
9	TERMINAL WASHER	31133-122	15991	1
10	TERMINAL HOUSING	38381-226	13000	1
11	TERMINAL	27214-035	---	1
12	HEAT SHRINK TUBE	31412-056	19530	2
13	ALLEN HEAD SETSCREW	GA#10-01S	15991	2
14	TERMINAL COLLAR	31811-057	14100	2
15	* DYNA SEAL WASHER	S1590	---	2
16	* DYNA SEAL WASHER	S1590	---	2
17	TERMINAL POST	11181	14100	2
18	ALLEN HEAD SETSCREW	GA#10-01S	15991	2
19	TERMINAL POST	38724-009	14100	3
20	ALLEN HEAD SETSCREW	GA0501 1/2	14990	3
21	* DYNA SEAL WASHER	S1586	---	3
22	* DYNA SEAL WASHER	S1586	---	3
23	* TERMINAL PLATE GASKET	38687-529	20000	1
24	* TERMINAL PLATE	38711-001	23010	1
25	* TERMINAL PLATE GASKET	38687-529	20000	1
26	TERMINAL COLLAR	10144	14100	3
27	ALLEN HEAD SETSCREW	GA0501 1/2	14990	3
28	* O-RING	25154-155	---	1
29	HEAT SHRINK TUBE	31413-014	19530	3
30	TERMINAL	S1550	---	1
31	ROUND HEAD MACHINE SCREW	X0603	14990	2
32	T TYPE LOCKWASHER	AK06	15991	2
33	DRIVE SCREW	BM#04-03	17000	4
34	CERTIFICATION PLATE	2613GX	17020	1

NOT SHOWN:

1 OZ. RTV SEALANT 18771-106 --- 1

* INDICATES PARTS RECOMMENDED FOR STOCK

THE GORMAN-RUPP COMPANY • MANSFIELD, OHIO

GORMAN-RUPP OF CANADA LIMITED • ST. THOMAS, ONTARIO, CANADA Printed in U.S.A.

**For U.S. and International Warranty Information,
Please Visit www.grpumps.com/warranty**

or call:

U.S.: 419-755-1280

International: +1-419-755-1352

**For Canadian Warranty Information,
Please Visit www.grcanada.com/warranty**

or call:

519-631-2870

THE GORMAN-RUPP COMPANY • MANSFIELD, OHIO

GORMAN-RUPP OF CANADA LIMITED • ST. THOMAS, ONTARIO, CANADA