

C

Use With: OM-04417
MR-04452

PUBLICATION NUMBER PL-04454-01
April 18, 1996; Rev. A 03/09/98
Supersedes: OM-03279-01



PUMP MODEL
SM4J1 - X60 460/575/3

MANUAL
PART 2 of 3

PARTS
LIST
WITH
PERFORMANCE CURVE

THE GORMAN-RUPP COMPANY • MANSFIELD, OHIO

GORMAN-RUPP OF CANADA LIMITED • ST. THOMAS, ONTARIO, CANADA Printed in U.S.A.

©Copyright by the Gorman-Rupp Company

PERFORMANCE CURVE – SECTION A

RECORDING MODEL AND SERIAL NUMBERS

Please record the pump model and serial number in the spaces provided below and in the separate Installation/Operation Manual accompanying your pump. Your Gorman-Rupp distributor needs this information when you require parts or service.

Pump Model: _____

Serial Number: _____

WARRANTY INFORMATION

The pump warranty is provided as part of Gorman-Rupp's support program for customers who operate and maintain their equipment as described in this manual and other accompanying literature. Please note that should the equipment be abused or modified to change its performance beyond the original factory specifications, the warranty will become void and any claim will be denied.

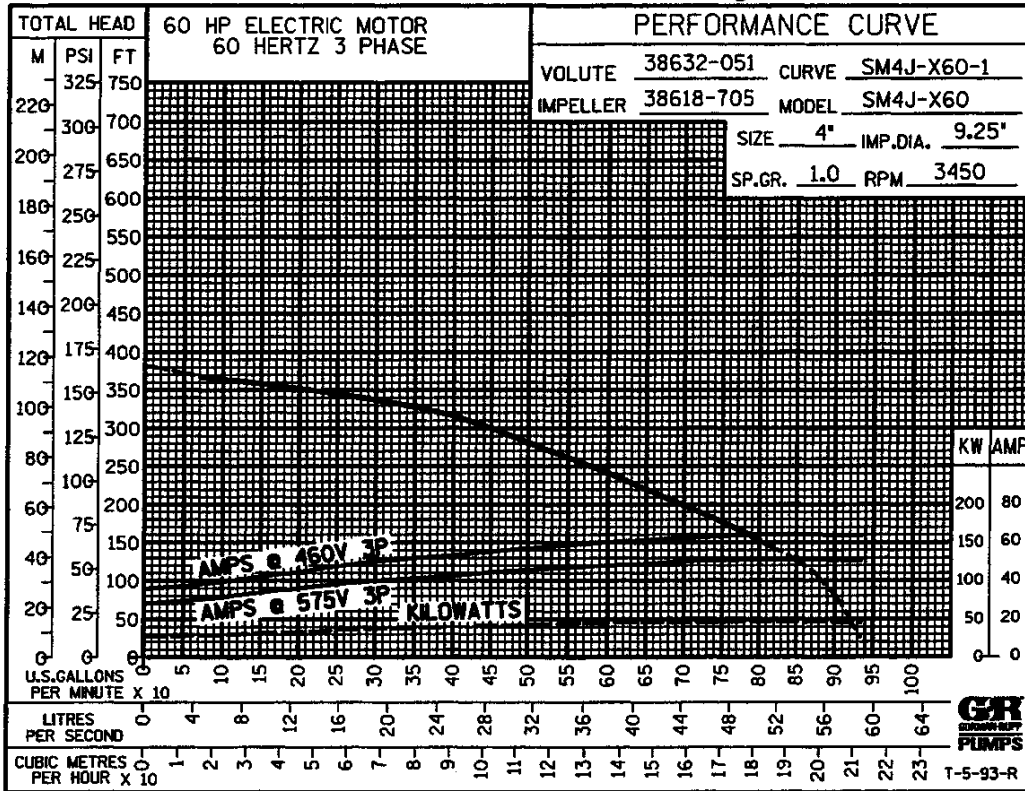
PERFORMANCE CURVES

The performance curve on this page is based on 70° F (21° C) clear water at sea level. Since pump installations are seldom identical, your performance may be different due to such factors as viscosity, specific gravity, elevation, temperature, and impeller trim.

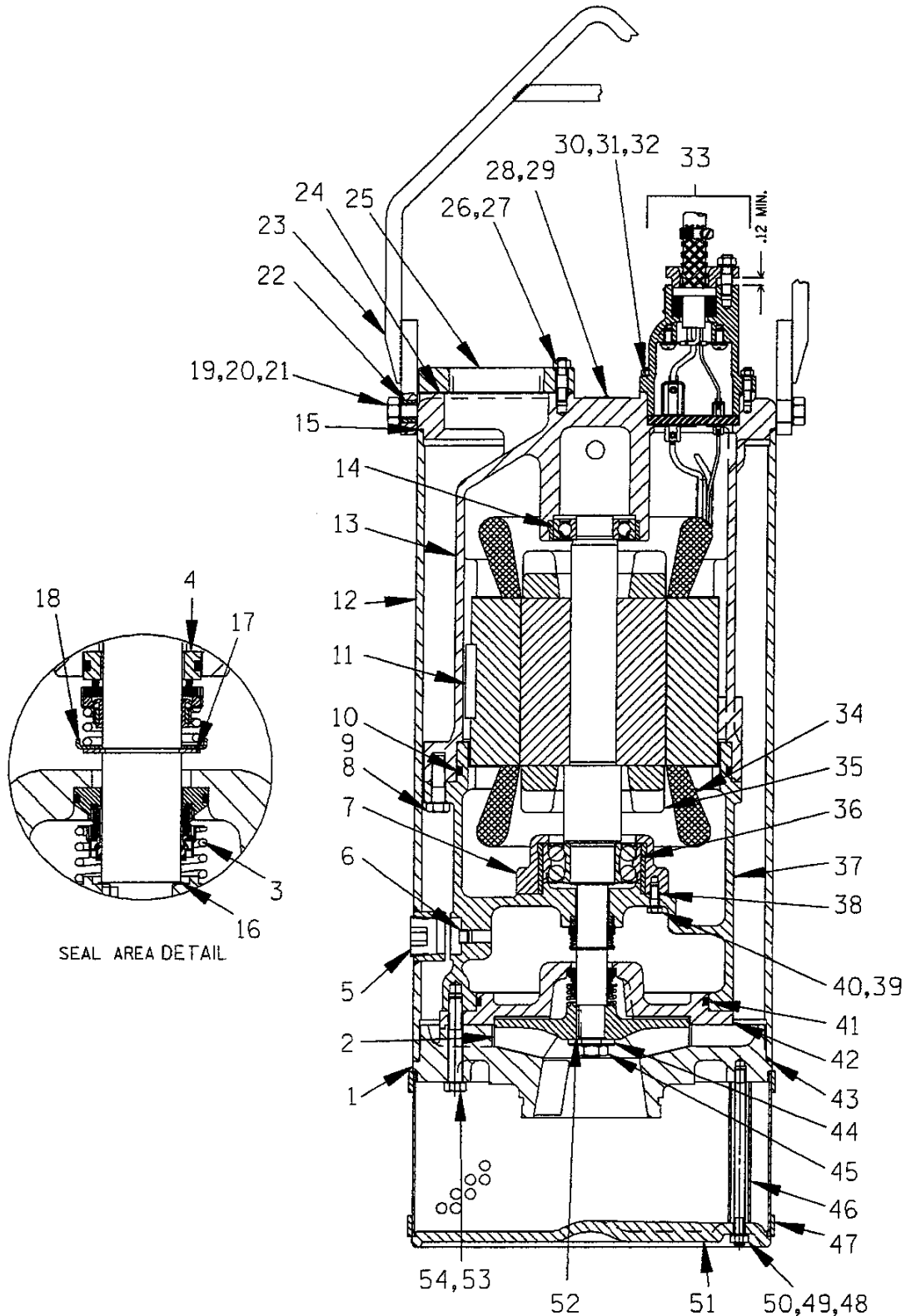
If your pump serial number is followed by an "N", your pump is **NOT** a standard production model. Contact the Gorman-Rupp Company to verify performance or part numbers.



Pump speed and operating condition points must be within the continuous performance range shown on the curve(s).



Performance Curve – Model SM4J1-X60 460/575/3



THE GORMAN-RUPP COMPANY • MANSFIELD, OHIO

GORMAN-RUPP OF CANADA LIMITED • ST. THOMAS, ONTARIO, CANADA

Printed in U.S.A.

S/N 1004954 Up
PUMP ISSUE 1

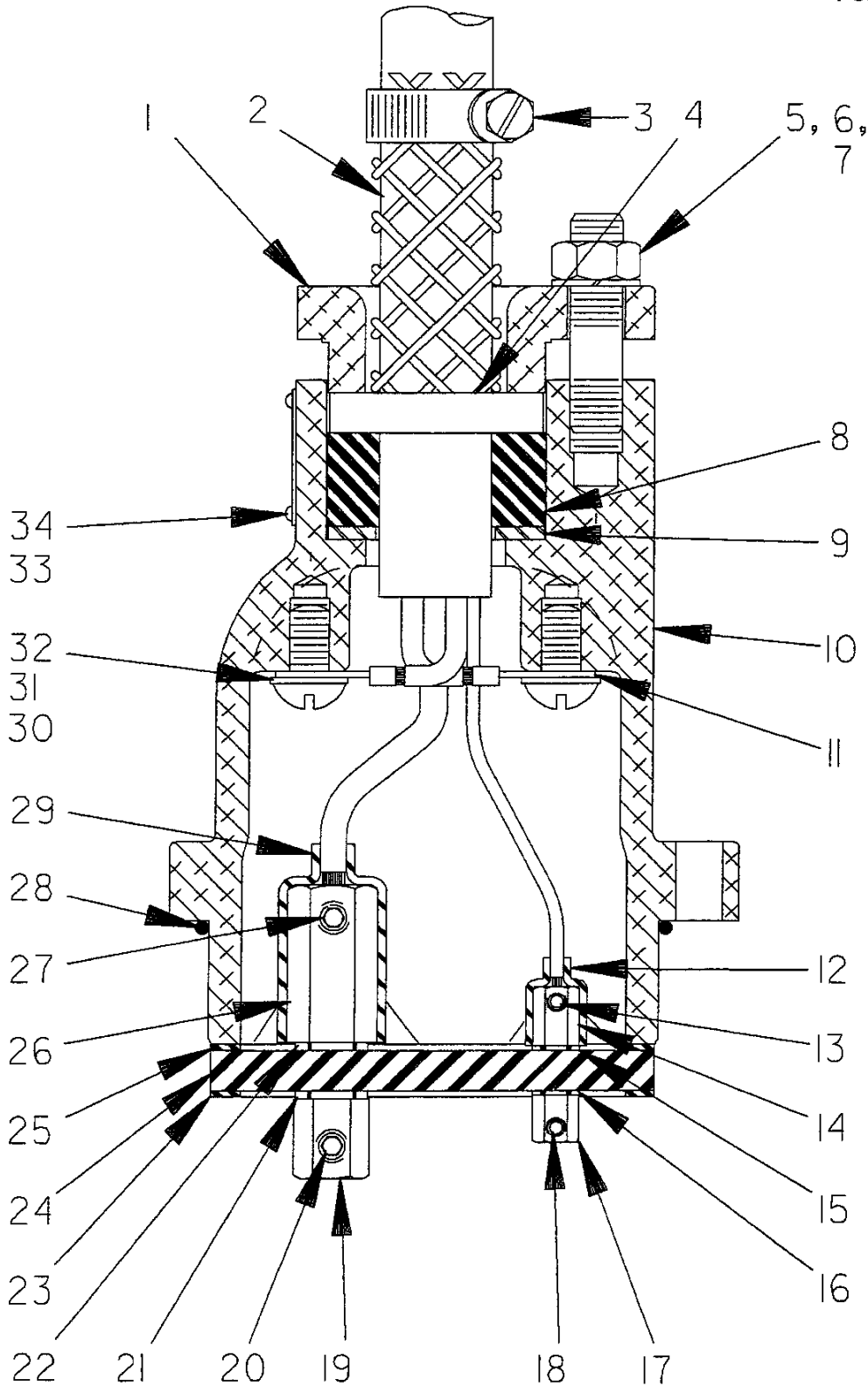
If your pump serial number is followed by an "N", your pump is NOT a standard production model. Contact the Gorman-Rupp Company to verify part numbers.

ITEM NO.	PART NAME	PART NUMBER	MAT'L CODE	QTY	ITEM NO.	PART NAME	PART NUMBER	MAT'L CODE	QTY
1	DIFFUSER	38632-051	1102H	1		-575V	47113-048	---	1
2 *	IMPELLER	38618-705	1102H	1	35	ROTOR & SHAFT ASSY	47112-047	---	1
3 *	SEAL ASSEMBLY	46512-056	---	1	36 *	LWR BALL BEARING	23425-462	---	1
4 *	SEAL ASSEMBLY	25271-903	---	1	37	LWR MOTOR HOUSING	38311-313	13000	1
5	SOCKET PIPE PLUG	PC24	17000	1	38 *	BEARING CAP O-RING	25152-013	---	4
6	SEAL CAVITY FILL PLUG	PC06	17000	1	39	HEX HD CAPSCREW	21632-597	---	4
7	BEARING CAP	38322-422	13000	1	40	LOCKWASHER	J06	15991	4
8	HEX HD CAPSCREW	B1008	17000	6	41 *	SEAL PLATE O-RING	S1990	---	1
9	LOCKWASHER	J10	17000	6	42	SEAL PLATE	38272-525	1102H	1
10 *	LWR MTR HSG O-RING	S1676	---	1	43 *	MTR HOUSING O-RING	25152-282	---	1
11 *	STATOR KEY	N0812	17000	1	44 *	IMPELLER WASHER	31131-026	17000	1
12	MOTOR HOUSING	38311-809	13000	1	45 *	IMPELLER NUT	AT14S	17000	1
13	UPPER MOTOR HOUSING	38311-312	13000	1	46	SUPPORT PIPE	31412-034	15079	6
14 *	UPPER BALL BEARING	23282-010	---	1	47	STRAINER ASSEMBLY	46611-006	2415V	1
15 *	MTR HOUSING O-RING	25152-282	---	1	48	STUD	C0834	15991	6
16 *	IMPELLER ADJ SHIM SET	37J	17090	1	49	LOCKWASHER	J08	15991	6
17	RETAINING RING	S245	---	1	50	HEX NUT	D08	15991	6
18 *	SPRING HOLDER	25273-273	---	1	51	BASE PLATE	38352-306	13080	1
19	HEX HD CAPSCREW	B1208	15991	2	52 *	IMPELLER KEY	N0405	17000	1
20	LOCKWASHER	J12	15991	2	53	HEX HD CAPSCREW	B1017	17000	6
21	FLAT WASHER	K12	15991	2	54	LOCKWASHER	J10	17000	6
22	BAIL BUSHING	10045	15071	2		NOT SHOWN:			
23	HOIST BAIL	44713-026	2415V	1		QT SUB PUMP OIL	9568	---	1
24 *	DISCH FLANGE GASKET	38687-049	20000	1		VOLTAGE TAG			
25	DISCHARGE FLANGE	38641-303	10010	1		-460V	6588BL	---	1
26	STUD	C0809	15991	6		-575V	6588BM	---	1
27	HEX NUT	D08	15991	6		CONTROL BOX			
28	NAME PLATE	2613GH	17020	1		-460V	47631-156	---	1
29	DRIVE SCREW	BM#04-03	17000	2		-575V	47631-157	---	1
30	STUD	C0607	17000	4		DRIVE SCREW	BM#04-03	17000	4
31	LOCKWASHER	J06	17000	4		MSHA PLATE	2613ES	17020	1
32	HEX NUT	D06	17000	4		INSTRUCTION TAG	38817-073	---	1
33	TERM HSG/CABLE ASSY	47367-076	---	1		IMPELLER PULLER	48711-018	---	1
34	STATOR					5" HEAT SHRINK TUBE	18763-249	---	1
	-460V	47113-047	---	1					

* INDICATES PARTS RECOMMENDED FOR STOCK

THE GORMAN-RUPP COMPANY • MANSFIELD, OHIO

GORMAN-RUPP OF CANADA LIMITED • ST. THOMAS, ONTARIO, CANADA Printed in U.S.A.



THE GORMAN-RUPP COMPANY • MANSFIELD, OHIO

GORMAN-RUPP OF CANADA LIMITED • ST. THOMAS, ONTARIO, CANADA Printed in U.S.A.

©Copyright by the Gorman-Rupp Company

S/N 1004954 Up
PUMP ISSUE 1

ITEM NO.	PART NAME	PART NUMBER	MAT'L CODE	QTY
1	TERMINAL GLAND	38381-614	13040	1
2	* CABLE ASSY - 50 FT.	47325-012	---	1
3	HOSECLAMP	26518-667	---	1
4	* CABLE GRIP	11227K	---	1
5	STUD	C0808	17000	2
6	HEX NUT	D08	17000	2
7	LOCKWASHER	J08	17000	2
8	GLAND BUSHING	31143-067	19410	1
9	TERMINAL WASHER	31133-122	15991	1
10	TERMINAL HOUSING	38381-226	13000	1
11	TERMINAL	27214-035	---	1
12	HEAT SHRINK TUBE	31412-056	19530	2
13	ALLEN HEAD SETSCREW	GA#10-01S	15991	2
14	TERMINAL COLLAR	31811-057	14100	2
15	* DYNA SEAL WASHER	S1590	---	2
16	* DYNA SEAL WASHER	S1590	---	2
17	TERMINAL POST	11181	14100	2
18	ALLEN HEAD SETSCREW	GA#10-01S	15991	2
19	TERMINAL POST	38724-009	14100	3
20	ALLEN HEAD SETSCREW	GA0501 1/2	14990	3
21	* DYNA SEAL WASHER	S1586	---	3
22	* DYNA SEAL WASHER	S1586	---	3
23	* TERMINAL PLATE GASKET	38687-529	20000	1
24	* TERMINAL PLATE	38711-001	23010	1
25	* TERMINAL PLATE GASKET	38687-529	20000	1
26	TERMINAL COLLAR	10144	14100	3
27	ALLEN HEAD SETSCREW	GA0501 1/2	14990	3
28	* O-RING	25154-155	---	1
29	HEAT SHRINK TUBE	31413-014	19530	3
30	TERMINAL	S1550	---	1
31	ROUND HEAD MACHINE SCREW	X0603	14990	2
32	T TYPE LOCKWASHER	AK06	15991	2
33	DRIVE SCREW	BM#04-03	17000	4
34	CERTIFICATION PLATE	2613GX	17020	1

NOT SHOWN:

RTV SEALANT 18771-106 --- 1

* INDICATES PARTS RECOMMENDED FOR STOCK

THE GORMAN-RUPP COMPANY • MANSFIELD, OHIO

GORMAN-RUPP OF CANADA LIMITED • ST. THOMAS, ONTARIO, CANADA Printed in U.S.A.

**For U.S. and International Warranty Information,
Please Visit www.grpumps.com/warranty**

or call:

U.S.: 419-755-1280

International: +1-419-755-1352

**For Canadian Warranty Information,
Please Visit www.grcanada.com/warranty**

or call:

519-631-2870

THE GORMAN-RUPP COMPANY • MANSFIELD, OHIO

GORMAN-RUPP OF CANADA LIMITED • ST. THOMAS, ONTARIO, CANADA