

C

Use With: OM-04417
MR-04448

PUBLICATION NUMBER PL-04449-02
Pump Issue 2
April 10, 1996



PUMP MODEL
SM4E1 - X20 460/575/3

MANUAL
PART 2 of 3

PARTS
LIST
WITH
PERFORMANCE CURVE

THE GORMAN-RUPP COMPANY • MANSFIELD, OHIO

GORMAN-RUPP OF CANADA LIMITED • ST. THOMAS, ONTARIO, CANADA Printed in U.S.A.

©Copyright by the Gorman-Rupp Company

PERFORMANCE CURVE – SECTION A

RECORDING MODEL AND SERIAL NUMBERS

Please record the pump model and serial number in the spaces provided below and in the separate Installation/Operation Manual accompanying your pump. Your Gorman-Rupp distributor needs this information when you require parts or service.

Pump Model: _____

Serial Number: _____

WARRANTY INFORMATION

The pump warranty is provided as part of Gorman-Rupp's support program for customers who operate and maintain their equipment as described in this manual and other accompanying literature. Please note that should the equipment be abused or modified to change its performance beyond the original factory specifications, the warranty will become void and any claim will be denied.

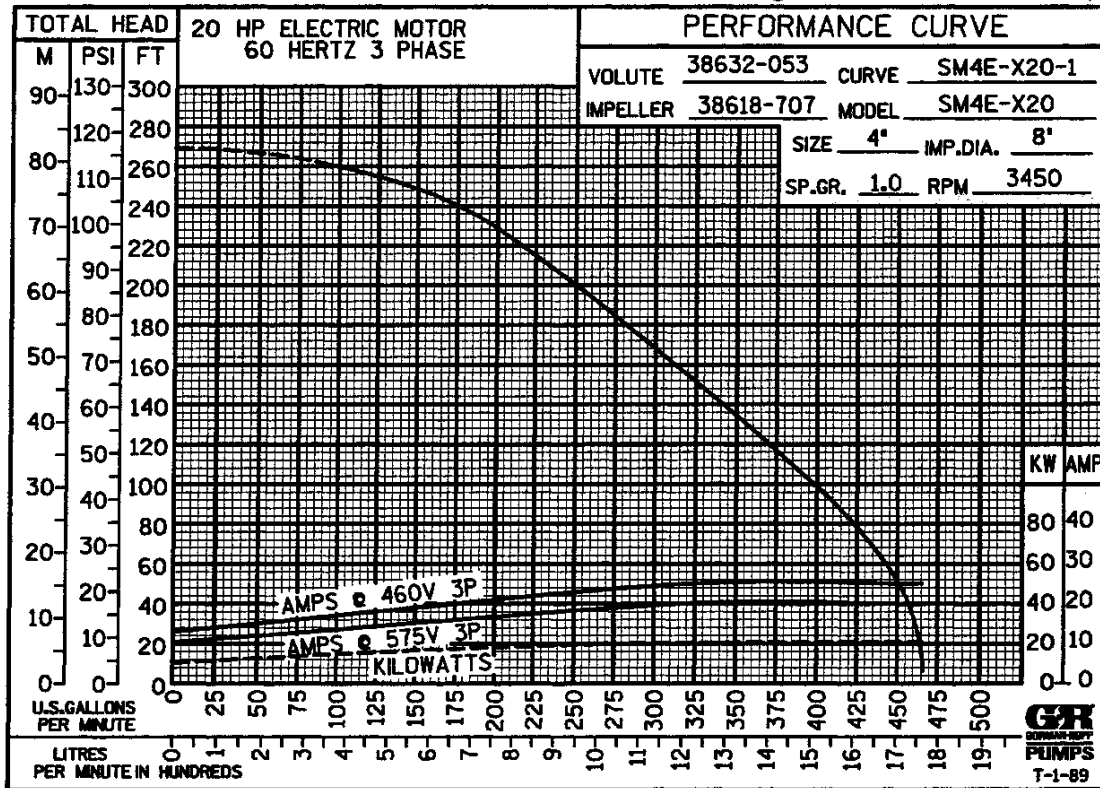
PERFORMANCE CURVES

The performance curve on this page is based on 70° F (21° C) clear water at sea level. Since pump installations are seldom identical, your performance may be different due to such factors as viscosity, specific gravity, elevation, temperature, and impeller trim.

If your pump serial number is followed by an "N", your pump is **NOT** a standard production model. Contact the Gorman-Rupp Company to verify performance or part numbers.



Pump speed and operating condition points must be within the continuous performance range shown on the curve(s).

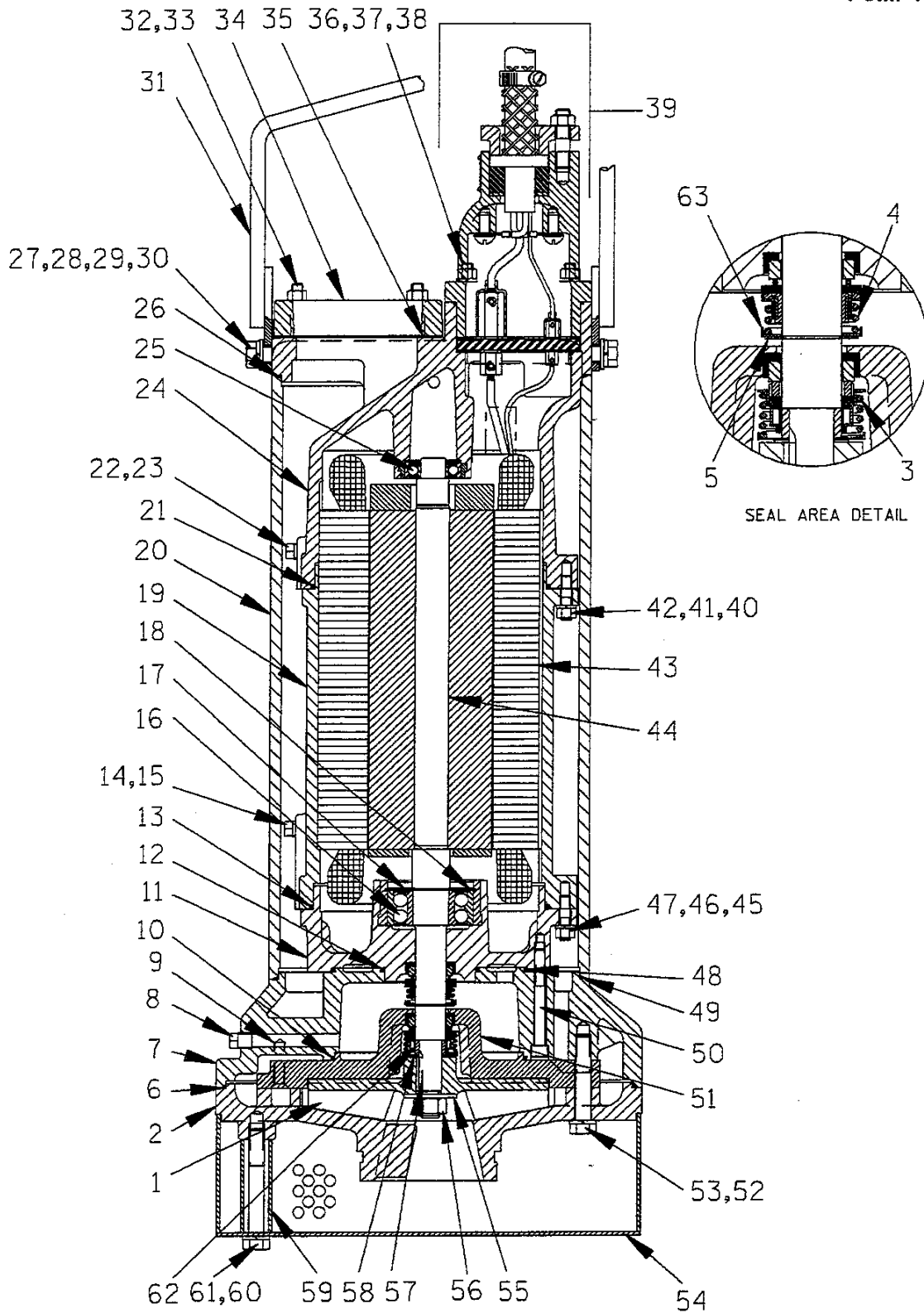


Performance Curve – Model SM4E1-X20 460/575/3

C

SM4E1-X20 460/575/3

S/N 1131719 Up
PUMP ISSUE 2



THE GORMAN-RUPP COMPANY • MANSFIELD, OHIO

GORMAN-RUPP OF CANADA LIMITED • ST. THOMAS, ONTARIO, CANADA

Printed in U.S.A.

1 of 4

APRIL 10, 1996

©Copyright by the Gorman-Rupp Company

Page 154.4 E1

S/N 1131719 Up
PUMP ISSUE 2

If your pump serial number is followed by an "N", your pump is NOT a standard production model. Contact the Gorman-Rupp Company to verify part numbers.

ITEM NO.	PART NAME	PART NUMBER	MAT'L CODE	QTY	ITEM NO.	PART NAME	PART NUMBER	MAT'L CODE	QTY
1 *	IMPELLER	38618-707	1102H	1	40	STUD	C0606	17000	8
2	DIFFUSER	38632-053	1102H	1	41	HEX NUT	D06	17000	8
3 *	SEAL ASSEMBLY	46512-057	----	1	42	LOCKWASHER	J06	17000	8
4 *	SEAL ASSEMBLY	25271-866	----	1	43	STATOR			
5	RETAINING RING	S362	----	1		-460V	47113-822	----	1
6 *	DIFFUSER O-RING	25152-279	----	1		-575V	47113-823	----	1
7	INTERMEDIATE	38261-029	13000	1	44	ROTOR & SHAFT ASSY	47112-812	----	1
8	SEAL CAVITY FILL PLUG	P04	17000	1	45	STUD	C0606	17000	8
9	FLT HD MACH SCREW	Y0405	17000	3	46	HEX NUT	D06	17000	8
10 *	SEAL PLATE O-RING	25152-259	----	1	47	LOCKWASHER	J06	17000	8
11	LWR MOTOR HOUSING	38311-053	13000	1	48 *	INTERMEDIATE O-RING	25152-259	----	1
12 *	MTR HOUSING O-RING	25152-234	----	1	49 *	PUMP CASING O-RING	S1830	----	1
13 *	MTR HOUSING O-RING	25152-265	----	1	50	SOC HD CAPSCREW	DM0613	17000	6
14	PIPE PLUG	38649-022	17030	2	51	SEAL PLATE	38272-353	1102H	1
15	ALLEN HD SETSCREW	GA0501 1/4	15990	2	52	HEX HD CAPSCREW	B0812	17000	6
16	LWR BALL BEARING	23425-457	----	1	53	LOCKWASHER	J08	17000	6
17	INNER RETAINING RING	S1831	----	1	54	STRAINER SCREEN	46611-012	2415V	1
18	OUTER RETAINING RING	24121-552	----	1	55	FLAT WASHER	KB10	17000	1
19	MDL MOTOR HOUSING	38311-040	13000	1	56 *	IMPELLER NUT	D10S	17000	1
20	PUMP CASING	38311-813	13005	1	57 *	IMPELLER KEY	N0304 1/2	17000	1
21 *	MDL MTR HSG O-RING	25152-265	----	1	58 *	IMPELLER ADJ SHIM SET	2Y	17090	1
22	PIPE PLUG	38649-022	17030	2	59	SUPPORT PIPE	31412-064	15070	3
23	ALLEN HD SETSCREW	GA0501 1/4	15990	2	60	HEX HD CAPSCREW	B0815	15991	3
24	UPPER MOTOR HOUSING	38311-039	13000	1	61	LOCKWASHER	J08	15991	3
25	UPPER BALL BEARING	23257-009	----	1	62 *	SHAFT SLEEVE	13878	17020	1
26 *	PUMP CASING O-RING	S1830	----	1	63	SPRING HOLDER	25273-260	----	1
27	BAIL BUSHING	9562	15991	2	NOT SHOWN:				
28	HEX HD CAPSCREW	B0804	15991	2	VOLTAGE TAG				
29	LOCKWASHER	J08	15991	2	-460V 6588BL ---- 1				
30	FLAT WASHER	KE08	15991	2	-575V 6588BM ---- 1				
31	HOIST BAIL	11959	2400V	1	CONTROL BOX				
32	STUD	C0609	15991	4	-460V 47631-152 ---- 1				
33	HEX NUT	D06	15991	4	-575V 47631-153 ---- 1				
34	DISCHARGE FLANGE	11957	13040	1	5 IN. HEAT SHINK TUBING 18763-248 ---- 1				
35 *	DISCH FLANGE GASKET	11957G	20000	1	DRIVE SCREW BM#04-03 17000 6				
36	STUD	C0607	17000	4	MSHA PLATE 2613ES 17020 1				
37	HEX NUT	D06	17000	4	NAME PLATE 2613GH 17020 1				
38	LOCKWASHER	J06	17000	4	INSTRUCTION TAG 38817-073 ---- 1				
39	TERM HSG/CABLE ASSY	47367-075	----	1	IMPELLER PULLER 48711-018 ---- 1				

* INDICATES PARTS RECOMMENDED FOR STOCK

THE GORMAN-RUPP COMPANY • MANSFIELD, OHIO

S/N 1131719 Up
PUMP ISSUE 2

ITEM NO.	PART NAME	PART NUMBER	MAT'L CODE	QTY
1	TERMINAL GLAND	11367	13040	1
2	* CABLE ASSY - 50 FT.	47325-010	---	1
3	HOSECLAMP	26518-666	---	1
4	* CABLE GRIP	11227L	---	1
5	STUD	C0808	17000	2
6	HEX NUT	D08	17000	2
7	LOCKWASHER	J08	17000	2
8	GLAND BUSHING	10758K	19410	1
9	TERMINAL WASHER	10659	15991	1
10	TERMINAL HOUSING	38381-226	13000	1
11	TERMINAL	27214-035	---	1
12	HEAT SHRINK TUBE	31412-056	19530	2
13	ALLEN HEAD SETSCREW	GA#10-01S	15991	2
14	TERMINAL COLLAR	31811-057	14100	2
15	* DYNA SEAL WASHER	S1590	---	2
16	* DYNA SEAL WASHER	S1590	---	2
17	TERMINAL POST	11181	14100	2
18	ALLEN HEAD SETSCREW	GA#10-01S	15991	2
19	TERMINAL POST	38724-009	14100	3
20	ALLEN HEAD SETSCREW	GA0501 1/2	14990	3
21	* DYNA SEAL WASHER	S1586	---	3
22	* DYNA SEAL WASHER	S1586	---	3
23	* TERMINAL PLATE GASKET	38687-529	20000	1
24	* TERMINAL PLATE	38711-001	23010	1
25	* TERMINAL PLATE GASKET	38687-529	20000	1
26	TERMINAL COLLAR	10144	14100	3
27	ALLEN HEAD SETSCREW	GA0501 1/2	14990	3
28	* O-RING	25154-155	---	1
29	HEAT SHRINK TUBE	31413-014	19530	3
30	TERMINAL	S1550	---	1
31	ROUND HEAD MACHINE SCREW	X0603	14990	2
32	T TYPE LOCKWASHER	AK06	15991	2
33	DRIVE SCREW	BM#04-03	17000	4
34	CERTIFICATION PLATE	2613GX	17020	1

NOT SHOWN:

1 OZ RTV SEALANT 18771-106 --- 1

* INDICATES PARTS RECOMMENDED FOR STOCK

THE GORMAN-RUPP COMPANY • MANSFIELD, OHIO

**For U.S. and International Warranty Information,
Please Visit www.grpumps.com/warranty**

or call:

U.S.: 419-755-1280

International: +1-419-755-1352

**For Canadian Warranty Information,
Please Visit www.grcanada.com/warranty**

or call:

519-631-2870

THE GORMAN-RUPP COMPANY • MANSFIELD, OHIO

GORMAN-RUPP OF CANADA LIMITED • ST. THOMAS, ONTARIO, CANADA