

AC

Use With: OM--04151
MR--04280

PUBLICATION NUMBER PL--04281--04
OCTOBER 26, 2000



PUMP MODELS
S2B1 115V 1P
S2B1 230V 1P

MANUAL
PART 2 of 3

PARTS
LIST
WITH
PERFORMANCE CURVE

THE GORMAN-RUPP COMPANY • MANSFIELD, OHIO

GORMAN-RUPP OF CANADA LIMITED • ST. THOMAS, ONTARIO, CANADA Printed in U.S.A.

©Copyright by the Gorman-Rupp Company

PERFORMANCE CURVE – SECTION A

RECORDING MODEL AND SERIAL NUMBERS

Please record the pump model and serial number in the spaces provided below and in the separate Installation/Operation Manual accompanying your pump. Your Gorman-Rupp distributor needs this information when you require parts or service.

Pump Model: _____

Serial Number: _____

WARRANTY INFORMATION

The pump warranty is provided as part of Gorman-Rupp's support program for customers who operate and maintain their equipment as described in this manual and other accompanying literature. Please note that should the equipment be abused or modified to change its performance beyond the original factory specifications, the warranty will become void and any claim will be denied.

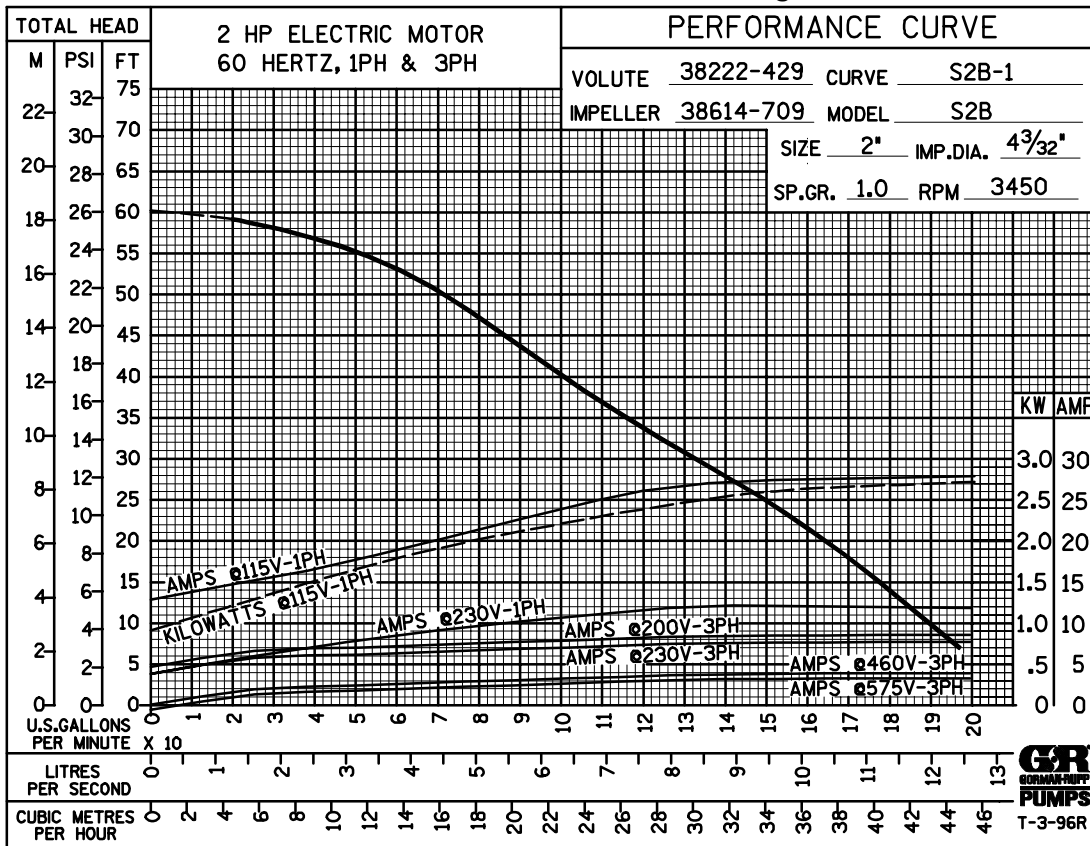
PERFORMANCE CURVES

The performance curves on the following page are based on 70° F (21° C) clear water at sea level. Since pump installations are seldom identical, your performance may be different due to such factors as viscosity, specific gravity, elevation, temperature, and impeller trim.

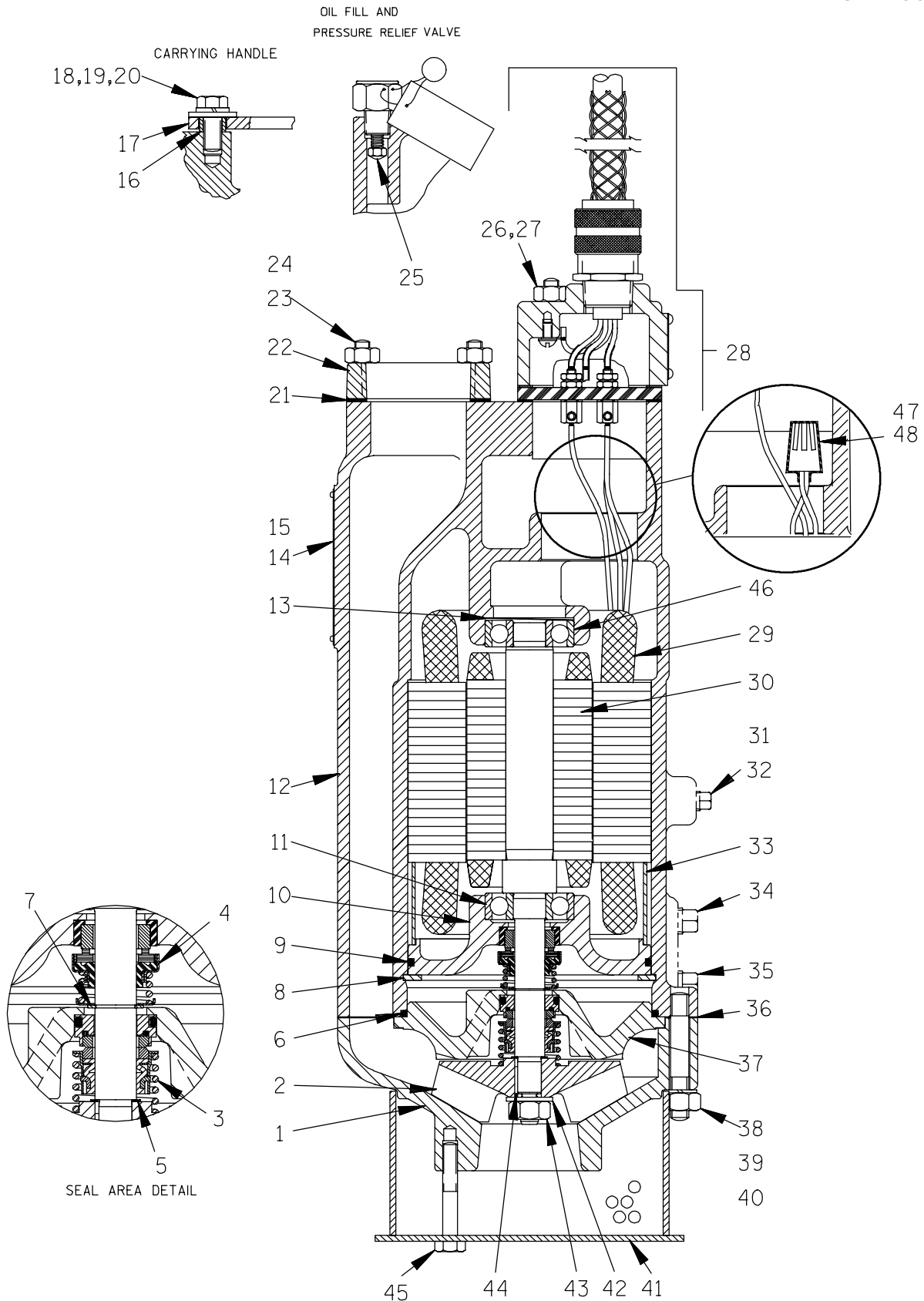
If your pump serial number is followed by an "N", your pump is **NOT** a standard production model. Contact the Gorman-Rupp Company to verify performance or part numbers.



Pump speed and operating condition points must be within the continuous performance range shown on the curve(s).



Performance Curve – Models S2B1 115V 1P And S2B1 230V 1P



THE GORMAN-RUPP COMPANY • MANSFIELD, OHIO

GORMAN-RUPP OF CANADA LIMITED • ST. THOMAS, ONTARIO, CANADA

Printed in U.S.A.

S2B1 115V 1P
S2B1 230V 1P

AC

S/N 1210275 Up
PUMP ISSUE 4

If your pump serial number is followed by an "N", your pump is **NOT** a standard production model. Contact the Gorman-Rupp Company to verify part numbers.

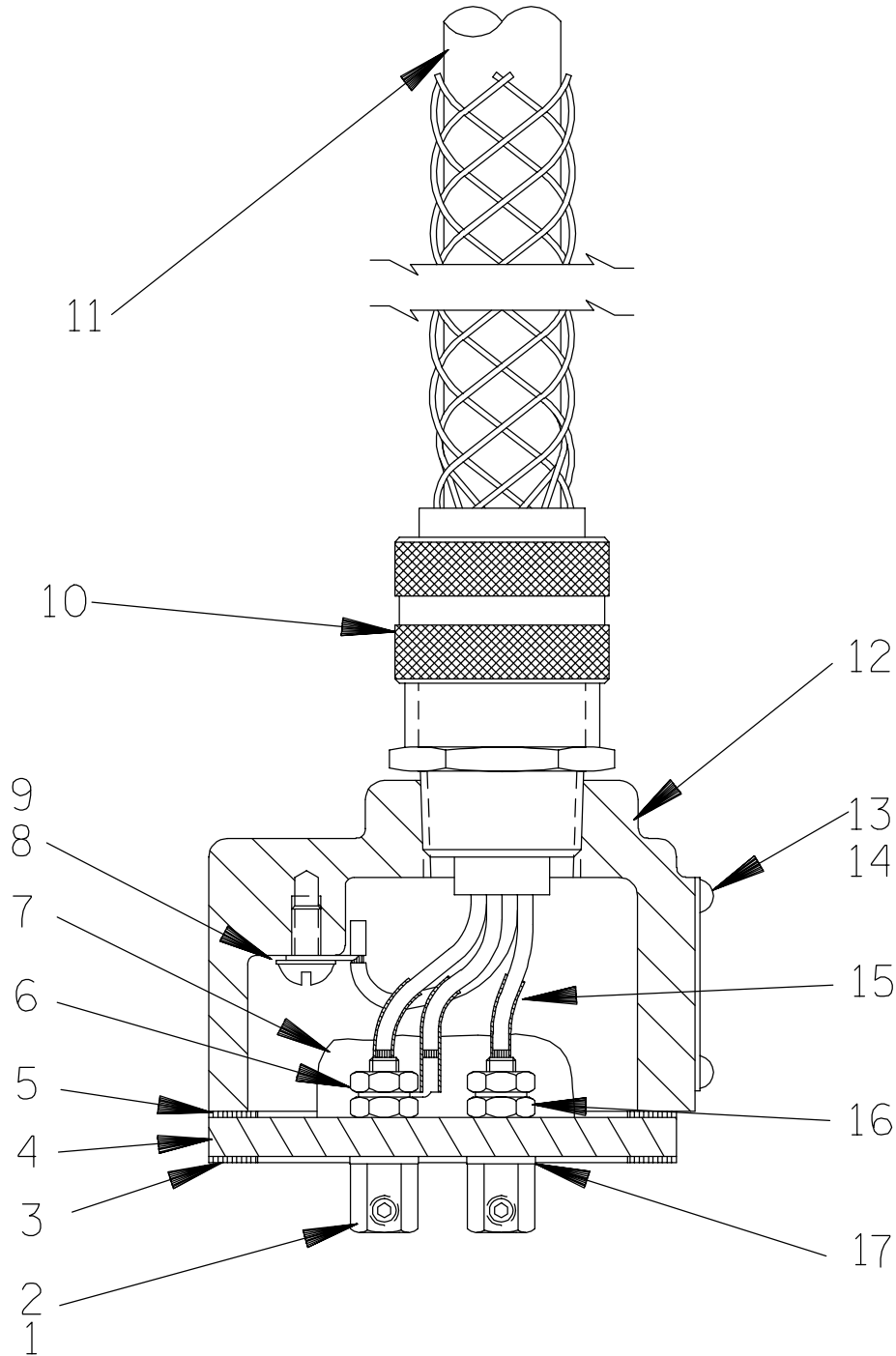
ITEM NO.	PART NAME	PART NUMBER	MAT'L CODE	QTY	ITEM NO.	PART NAME	PART NUMBER	MAT'L CODE	QTY
1	SUCTION CASING	38222-429	10010	1	38	STUD	C0610	17000	4
2 *	IMPELLER	38614-709	14160	1	39	HEX NUT	D06	17000	4
3 *	LOWER SEAL ASSY	46512-036	---	1	40	LOCKWASHER	J06	17000	4
4 *	UPPER SEAL ASSY	25271-824	---	1	41 *	STRAINER ASSY	46611-004	2415V	1
5 *	IMP ADJ SHIM SET	669	14990	1	42	FLAT WASHER	21161-808	---	1
6 *	SEAL PLATE O-RING	25152-250	---	1	43	IMPELLER NUT	D06	17000	1
7	SEAL SNAP RING	S668	---	1	44 *	IMPELLER KEY	N0202-1/2	17000	1
8	RETAINING RING	24121-077	---	1	45	NYLOCK CAPSCREW	BT0508	15991	4
9 *	INTERMEDIATE O-RING	25152-248	---	1	46 *	UPPER BALL BEARING	S1512	---	1
10	INTERMEDIATE BRACKET	38261-015	13040	1	47	CONNECTOR			
11 *	LOWER BALL BEARING	S1512	---	1		- 115V 1P	DOES NOT APPLY		
12	MOTOR HOUSING	38311-016	13040	1		- 230V 1P	S1718	---	1
13	BRG SPRING WASHER	S1554	---	1	48 *	HEAT-SHRINK TUBE			
14	NAME PLATE	38814-055	17000	1		- 115V 1P	DOES NOT APPLY		
15	DRIVE SCREW	BM#04-03	17000	4		- 230V 1P	31411-235	19450	1
16 *	BAIL BUSHING	10194	15071	2	NOT SHOWN:				
17	HOIST BAIL	10185A	1502V	1		CONTROL BOX			
18	HEX HD CAPSCREW	B0604	15991	2		- 115V 1P	27511-104	---	1
19	LOCKWASHER	J06	15991	2		- 230V 1P	27511-103	---	1
20	FLAT WASHER	K06	15991	2		SUB. PUMP OIL	9568	---	1
21 *	DISCH FLANGE GSKT	10195G	20000	1		MOTOR VOLTAGE TAG			
22	DISCHARGE FLANGE	10195	13040	1		- 115V 1P	38816-127	---	1
23	STUD	C0506	15991	4		- 230V 1P	38816-094	---	1
24	HEX NUT	D05	15991	4		CABLE TIE	27111-212	---	1
25 *	RELIEF VALVE ASSY	46431-608	---	1		MOTOR PLATE			
26	STUD	C0511	15991	4		- 230V 1P ONLY	10436	17000	1
27	HEX NUT	D05	15991	4		DRIVE SCREW			
28	TERM HSG/CABLE ASSY					- 230V 1P ONLY	BM#04-03	17000	4
	- 115V 1P	47367-052	---	1	OPTIONAL:				
	- 230V 1P	47367-051	---	1	* REPAIR GASKET SET	11000T	---		1
29	STATOR					STAGING ADAPTOR KIT	48272-002	---	1
	- 115V 1P	47113-851	---	1		DISCH FLANGE	38641-032	13040	1
	- 230V 1P	47113-854	---	1		STUD	C0505	15991	4
30 *	ROTOR W/SHAFT ASSY	47112-801	---	1		ANODE PLATE ASSY	42116-001	---	1
31	PIPE PLUG	P02	17000	1	LIQUID LEVEL DEVICES:				
32	ALLEN HD SETSCREW	GA0501-1/4	15990	1		- DIAPHRAGM TYPE	GRP48-03 or GRP48-061		
33	MOTOR BUSHING	31173-018	23010	1		- FLOAT TYPE	27471-180	---	1
34	PIPE PLUG	P04	17000	1	120V LIQ LVL CONTROL	47631-070	---		1
35	SEAL CVTY DRAIN PLUG	P04	17000	1					
36 *	CASING GSKT	38674-807	20000	1					
37	SEAL PLATE	38272-830	10010	1					

* INDICATES PARTS RECOMMENDED FOR STOCK

THE GORMAN-RUPP COMPANY • MANSFIELD, OHIO

GORMAN-RUPP OF CANADA LIMITED • ST. THOMAS, ONTARIO, CANADA

Printed in U.S.A.



THE GORMAN-RUPP COMPANY • MANSFIELD, OHIO

GORMAN-RUPP OF CANADA LIMITED • ST. THOMAS, ONTARIO, CANADA Printed in U.S.A.

S2B1 115V 1P
S2B1 230V 1P

AC

S/N 1210275 Up
 PUMP ISSUE 4

Terminal Housing

If your pump serial number is followed by an "N", your pump is **NOT** a standard production model. Contact the Gorman-Rupp Company to verify part numbers.

ITEM NO.	PART NAME	PART NUMBER	MAT'L CODE	QTY
1	TERMINAL	11181	14100	3
2	ALLEN HD SETSCREW	GA#10-01S	15991	3
3	* LOWER FLANGE GASKET	10195G	20000	1
4	TERMINAL PLATE	38713-007	23010	1
5	* UPPER FLANGE GASKET	10195G	20000	1
6	HEX NUT	D#10	14990	3
7	1 OZ RTV SEALANT	18771-106	---	1
8	ROUND HEAD MACHINE SCREW	X#10-01 1/2	14990	1
9	T TYPE LOCK WASHER	AK#10	15991	1
10	CABLE GRIP			
	-115V 1P	27111-011	---	1
	-230V 1P	S1553	---	1
11	* CABLE ASSEMBLY			
	-115V 1P	9166H	---	1
	-230V 1P	10551A	---	1
12	TERMINAL HOUSING	38381-224	13040	1
13	DRIVE SCREW	BM#04-03	17000	4
14	INFORMATION PLATE	38816-047	17990	1
15	* HEAT-SHRINK TUBE	31411-203	19530	3
16	HEX NUT	D#10	14990	3
17	* DYNA-SEAL WASHER	S1590	---	3

OPTIONAL:

HEAT SHRINK TERMINAL KIT	48315-008	---	1
--------------------------	-----------	-----	---

* INDICATES PARTS RECOMMENDED FOR STOCK

THE GORMAN-RUPP COMPANY • MANSFIELD, OHIO

GORMAN-RUPP OF CANADA LIMITED • ST. THOMAS, ONTARIO, CANADA Printed in U.S.A.

**For U.S. and International Warranty Information,
Please Visit www.grpumps.com/warranty
or call:
U.S.: 419-755-1280
International: +1-419-755-1352**

**For Canadian Warranty Information,
Please Visit www.grcanada.com/warranty
or call:
519-631-2870**