



**PUMP MODEL**  
**S6D1 – E30 460/575/3**

**MANUAL**  
**PART 2 of 3**

**PARTS**  
**LIST**  
**WITH**  
**PERFORMANCE CURVE**

## PERFORMANCE CURVE – SECTION A

### RECORDING MODEL AND SERIAL NUMBERS

Please record the pump model and serial number in the spaces provided below and in the separate Installation/Operation Manual accompanying your pump. Your Gorman-Rupp distributor needs this information when you require parts or service.

Pump Model: \_\_\_\_\_

Serial Number: \_\_\_\_\_

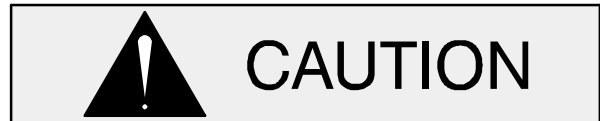
### WARRANTY INFORMATION

The pump warranty is provided as part of Gorman-Rupp's support program for customers who operate and maintain their equipment as described in this manual and other accompanying literature. Please note that should the equipment be abused or modified to change its performance beyond the original factory specifications, the warranty will become void and any claim will be denied.

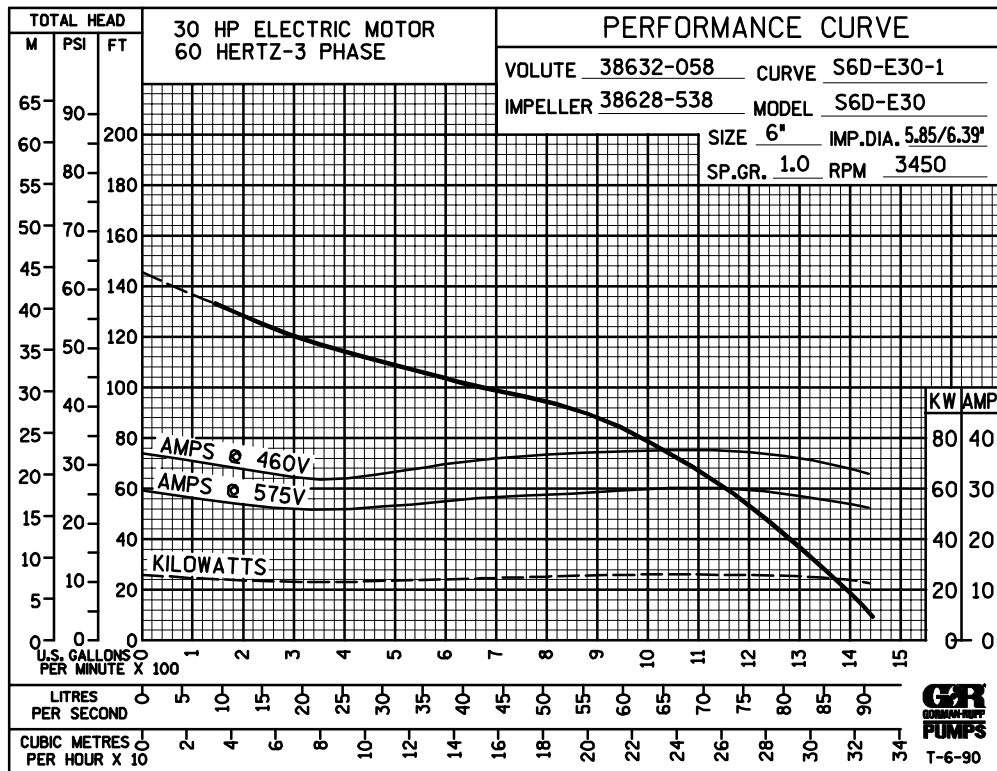
### PERFORMANCE CURVES

The performance curve below is based on 70° F (21° C) clear water at sea level. Since pump installations are seldom identical, your performance may be different due to such factors as viscosity, specific gravity, elevation, temperature, and impeller trim.

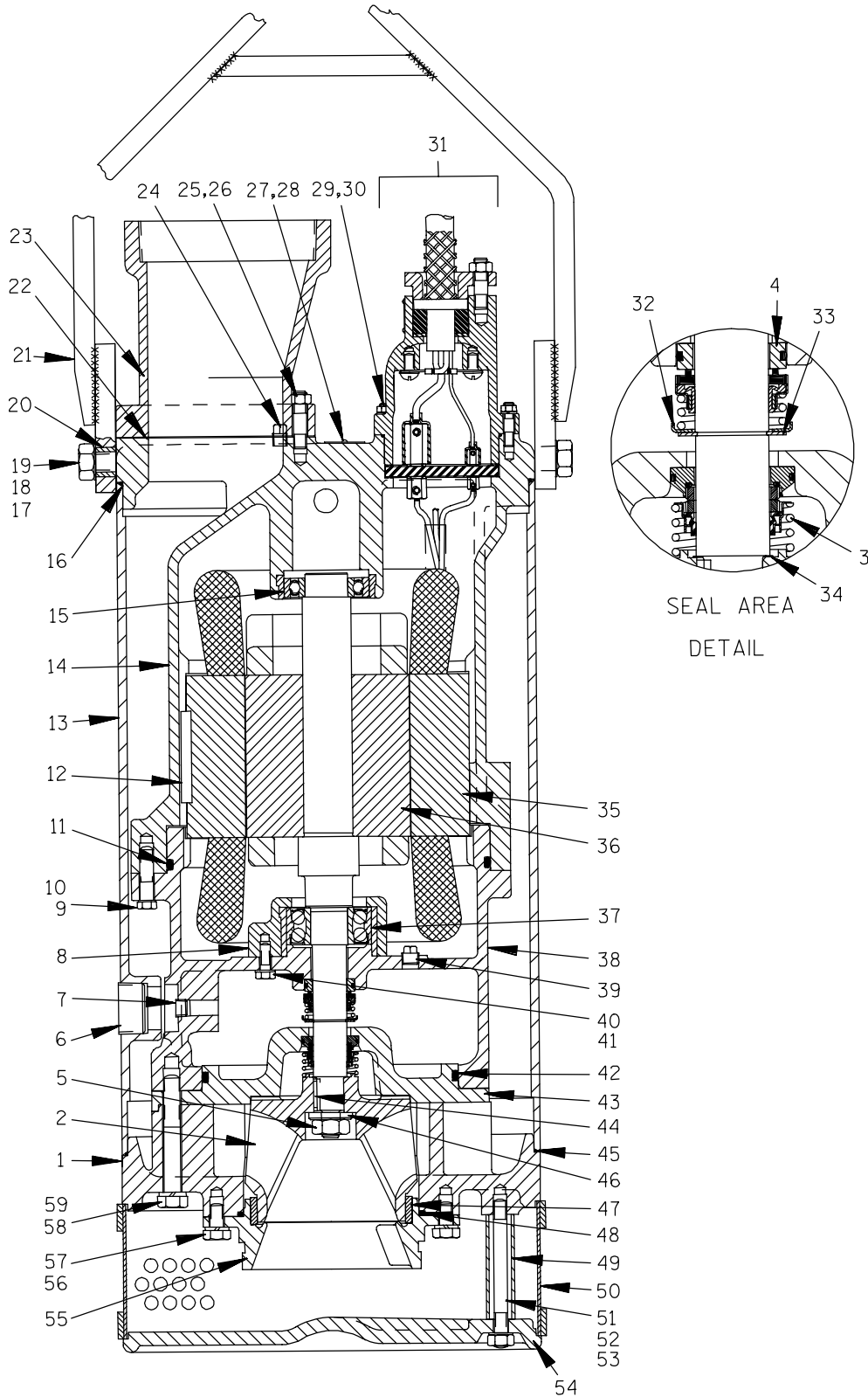
If your pump serial number is followed by an "N", your pump is **NOT** a standard production model. Contact the Gorman-Rupp Company to verify performance or part numbers.



Pump speed and operating condition points must be within the continuous performance range shown on the curve(s).



Performance Curve – Model S6D1 – E30 460/575/3



**THE GORMAN--RUPP COMPANY • MANSFIELD, OHIO**

GORMAN--RUPP OF CANADA LIMITED • ST. THOMAS, ONTARIO, CANADA Printed in U.S.A.

©Copyright by the Gorman--Rupp Company

# S6D1 -- E30 460/575/3

AC

S/N 1013186 UP

PUMP ISSUE 1

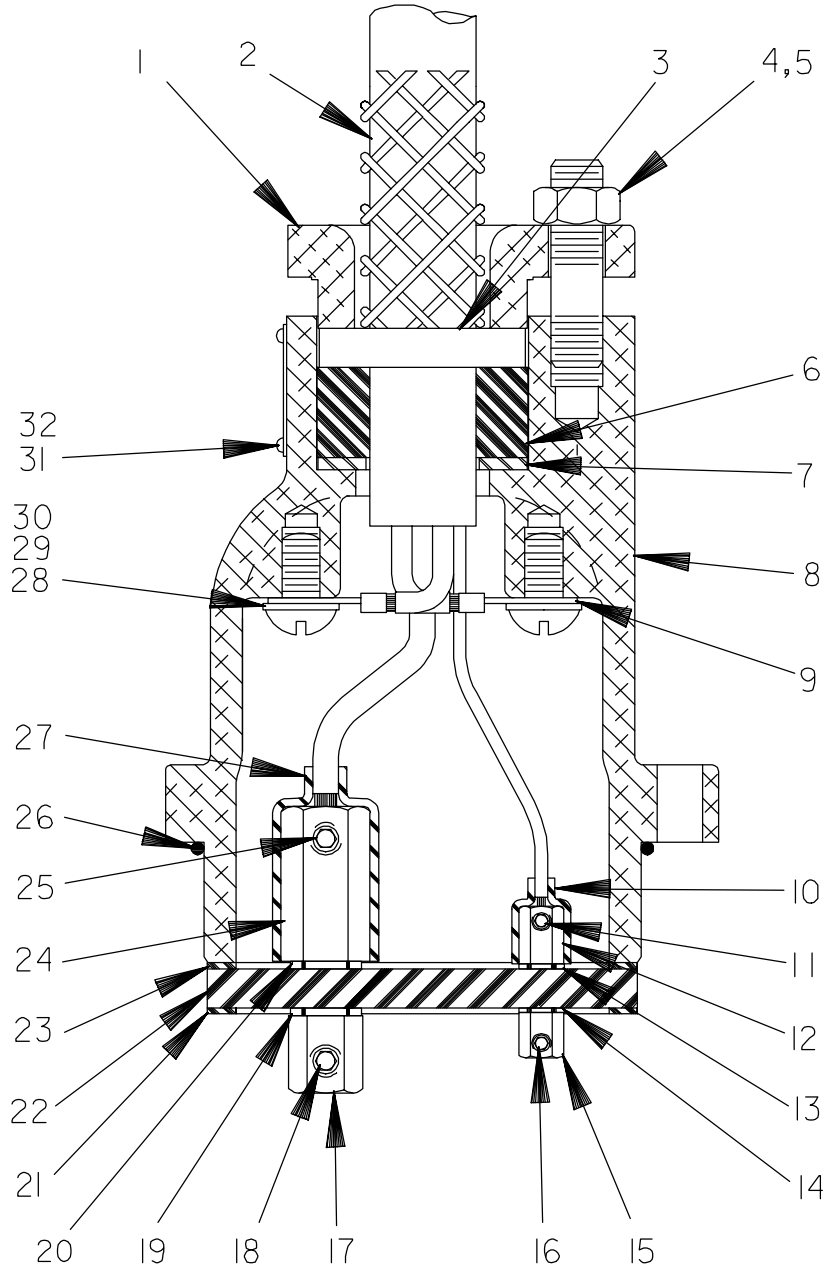
If your pump serial number is followed by an "N", your pump is NOT a standard production model. Contact the Gorman-Rupp Company to verify part numbers.

ITEM NO.	PART NAME	PART NUMBER	MAT'L CODE	QTY	ITEM NO.	PART NAME	PART NUMBER	MAT'L CODE	QTY
1	DIFFUSER	38632-058	1102H	1	39	PIPE PLUG	P06	15079	1
2 *	IMPELLER	38628-538	1102H	1	40	HEX HD CAPSCREW	B0604	15991	4
3 *	LOWER SEAL ASSY	46512-076	---	1	41	DYNA SEAL WASHER	S1586	---	4
4 *	UPPER SEAL ASSY	25271-886	---	1	42 *	SEAL PLATE O-RING	S1748	---	1
5 *	IMPELLER NUT	D10S	17000	1	43	SEAL PLATE	38272-415	1102H	1
6	SOC HD PIPE PLUG	PC24	17000	1	44 *	IMPELLER KEY	N0404	17000	1
7	SOC HD PIPE PLUG	PC06	17000	1	45 *	MTR HOUSING O-RING	25152-281	---	1
8	BEARING CAP	38322-216	13040	1	46 *	IMPELLER WASHER	31131-074	17000	1
9	HEX HD CAPSCREW	B0808	17000	6	47 *	WEAR RING	38691-311	14000	1
10	LOCKWASHER	J08	17000	6	48	DIFFUSER O-RING	25152-363	---	1
11 *	LWR MTR HSG O-RING	S1865	---	1	49	STRAINER SUPPORT	31413-075	15079	6
12 *	STATOR KEY	N0612	17000	1	50	STRAINER	46611-011	2415V	1
13	MOTOR HOUSING	38311-808	13000	1	51	STUD	C0822	15991	6
14	UPPER MOTOR HSG	38311-314	13000	1	52	LOCKWASHER	J08	15991	6
15 *	UPPER BALL BEARING	23257-013	---	1	53	HEX NUT	D08	15991	6
16 *	MTR HOUSING O-RING	25152-281	---	1	54	BASE PLATE	38352-317	13080	1
17	HEX HD CAPSCREW	B1208	15991	2	55	SUCTION HEAD	38246-034	10000	1
18	LOCKWASHER	J12	15991	2	56	HEX HD CAPSCREW	B0804	15991	5
19	FLAT WASHER	K12	15991	2	57	LOCKWASHER	J08	15991	5
20	BUSHING	10045	15071	2	58	HEX HD CAPSCREW	B1018	17000	6
21	HOIST BAIL ASSY	44713-028	2415V	1	59	LOCKWASHER	J10	17000	6
22 *	DISCH FLANGE GASKET	38687-049	20000	1	NOT SHOWN:				
23	DISCHARGE FLANGE	38642-207	10010	1	CONTROL BOX				
24	PIPE PLUG	P04	17000	1	-460V				
25	STUD	C0809	15991	6	-575V				
26	HEX NUT	D08	15991	6	IMPELLER PULLER				
27	NAME PLATE	2613GH	17020	1	5" HEAT-SHRINK TUBE				
28	DRIVE SCREW	BM#04-03	17000	2	INSTRUCTION TAG				
29	STUD	C0607	15991	4	HEATER PACK				
30	DEFORM LOCKNUT	DD06	15991	4	-460V				
31	TERMINAL HOUSING AND CABLE ASSY	47367-077	---	1	-575V				
32 *	SPRING HOLDER	25273-265	---	1	CABLE TIE				
33	RETAINING RING	S700	---	1	OPTIONAL:				
34 *	IMP ADJ SHIM SET	2X	17090	1	* REPAIR GASKET SET				
35	STATOR ASSY				LIQUID LEVEL DEVICES:				
	-460V	47113-050	---	1	DIAPHRAGM TYPE				
	-575V	47113-051	---	1	FLOAT TYPE				
36	ROTOR & SHAFT ASSY	47112-031	---	1	120V LIQ LVL CONT ROL				
37 *	LOWER BALL BEARING	23425-458	---	1					
38	LOWER MOTOR HSG	38311-309	13040	1					

\* INDICATES PARTS RECOMMENDED FOR STOCK

## THE GORMAN--RUPP COMPANY • MANSFIELD, OHIO

GORMAN-RUPP OF CANADA LIMITED • ST. THOMAS, ONTARIO, CANADA Printed in U.S.A.



**THE GORMAN--RUPP COMPANY • MANSFIELD, OHIO**

GORMAN--RUPP OF CANADA LIMITED • ST. THOMAS, ONTARIO, CANADA Printed in U.S.A.

©Copyright by the Gorman--Rupp Company

S/N 1013186 UP

PUMP ISSUE 1

## Terminal Housing And Cable Assembly

If your pump serial number is followed by an "N", your pump is **NOT** a standard production model. Contact the Gorman-Rupp Company to verify part numbers.

ITEM NO.	PART NAME	PART NUMBER	MAT'L CODE	QTY
1	TERMINAL GLAND	11367	13040	1
2	* CABLE - 50 FT	47325-005	---	1
3	* CABLE GRIP	11227L	---	1
4	STUD	C0808	15991	2
5	HEX NUT	D08	15991	2
6	GLAND BUSHING	10758K	19100	1
7	TERMINAL WASHER	10659	15991	1
8	TERMINAL HOUSING	38381-237	13000	1
9	TERMINAL	27214-035	---	1
10	HEAT SHRINK TUBE	31412-056	19530	2
11	ALLEN HEAD SETSCREW	GA#10-01S	15991	2
12	TERMINAL COLLAR	31811-057	14100	2
13	* DYNA SEAL WASHER	S1590	---	2
14	* DYNA SEAL WASHER	S1590	---	2
15	TERMINAL POST	11181	14100	2
16	ALLEN HEAD SETSCREW	GA#10-01S	15991	2
17	TERMINAL POST	38724-009	14100	3
18	ALLEN HEAD SETSCREW	GA0501 -1/2	14990	3
19	* DYNA SEAL WASHER	S1586	---	3
20	* DYNA SEAL WASHER	S1586	---	3
21	* TERMINAL PLATE GSKT	38687-529	20000	1
22	* TERMINAL PLATE	38711-001	23010	1
23	* TERMINAL PLATE GSKT	38687-529	20000	1
24	TERMINAL COLLAR	10144	14100	3
25	ALLEN HEAD SETSCREW	GA0501- 1/2	14990	3
26	* O-RING	25152-155	---	1
27	HEAT-SHRINK TUBE	31413-014	19530	3
28	TERMINAL	S1550	---	1
29	RD HD MACHINE SCREW	X0603	14990	2
30	T TYPE LOCKWASHER	AK06	15991	2
31	DRIVE SCREW	BM#04-03	17000	4
32	INFORMATION PLATE	38816-145	17050	1

NOT SHOWN:

RTV SEALANT	18771-106	---	2
-------------	-----------	-----	---

\* INDICATES PARTS RECOMMENDED FOR STOCK

## THE GORMAN-- RUPP COMPANY • MANSFIELD, OHIO

GORMAN-RUPP OF CANADA LIMITED • ST. THOMAS, ONTARIO, CANADA Printed in U.S.A.

**For U.S. and International Warranty Information,  
Please Visit [www.grpumps.com/warranty](http://www.grpumps.com/warranty)  
or call:  
U.S.: 419-755-1280  
International: +1-419-755-1352**

**For Canadian Warranty Information,  
Please Visit [www.grcanada.com/warranty](http://www.grcanada.com/warranty)  
or call:  
519-631-2870**