

AC

Use With: OM--04151  
MR--04269

PUBLICATION NUMBER PL--04179--04  
March 21, 2001  
Rev. A 04/18/01



**PUMP MODELS**  
**S3B18 230V 1P**  
**S3B18 230V/460V/575V 3P**

**MANUAL**  
**PART 2 of 3**

**PARTS**  
**LIST**  
**WITH**  
**PERFORMANCE CURVE**

**THE GORMAN-RUPP COMPANY • MANSFIELD, OHIO**

GORMAN-RUPP OF CANADA LIMITED • ST. THOMAS, ONTARIO, CANADA Printed in U.S.A.

©Copyright by the Gorman-Rupp Company

## PERFORMANCE CURVE – SECTION A

### RECORDING MODEL AND SERIAL NUMBERS

Please record the pump model and serial number in the spaces provided below and in the separate [Installation/Operation Manual](#) accompanying your pump. Your Gorman-Rupp distributor needs this information when you require parts or service.

Pump Model: \_\_\_\_\_

Serial Number: \_\_\_\_\_

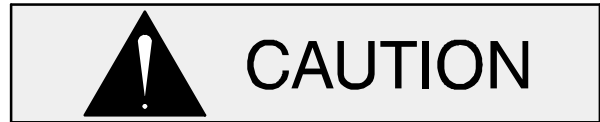
### WARRANTY INFORMATION

The pump warranty is provided as part of Gorman-Rupp's support program for customers who operate and maintain their equipment as described in this manual and other accompanying literature. Please note that should the equipment be abused or modified to change its performance beyond the original factory specifications, the warranty will become void and any claim will be denied.

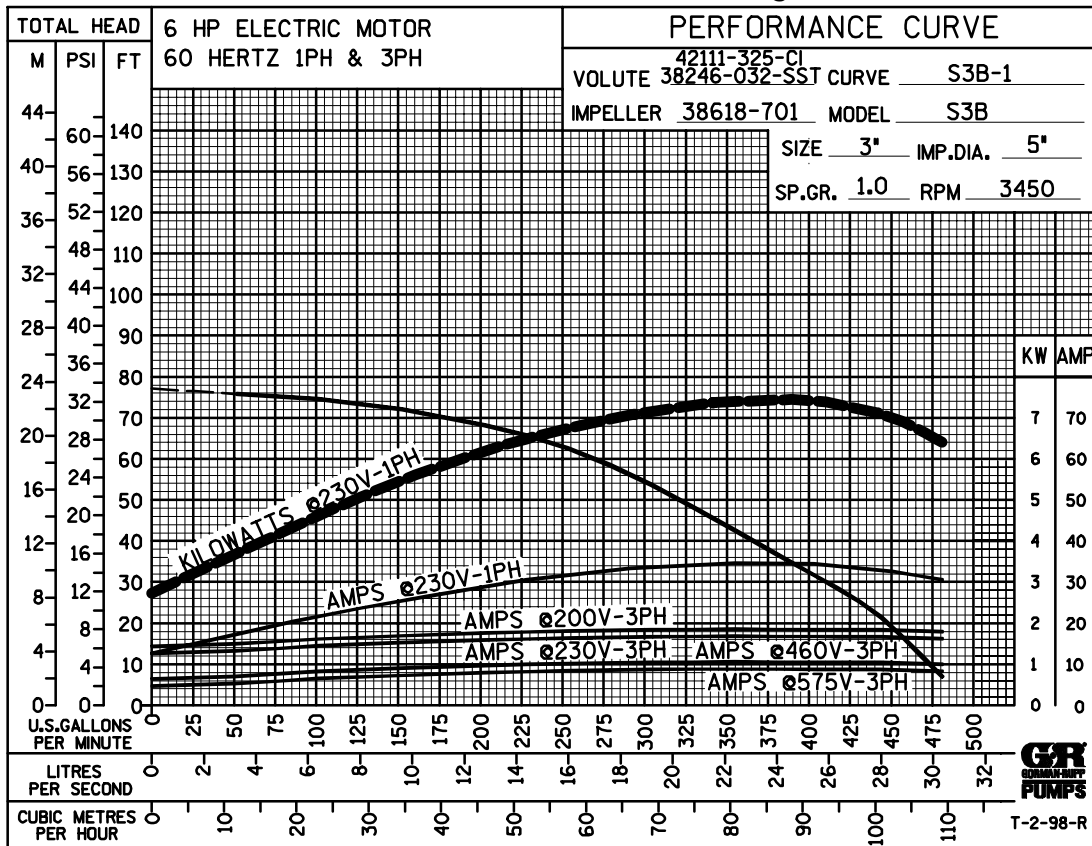
### PERFORMANCE CURVES

The performance curve below is based on 70° F (21° C) clear water at sea level. Since pump installations are seldom identical, your performance may be different due to such factors as viscosity, specific gravity, elevation, temperature, and impeller trim.

If your pump serial number is followed by an "N", your pump is **NOT** a standard production model. Contact the Gorman-Rupp Company to verify performance or part numbers.

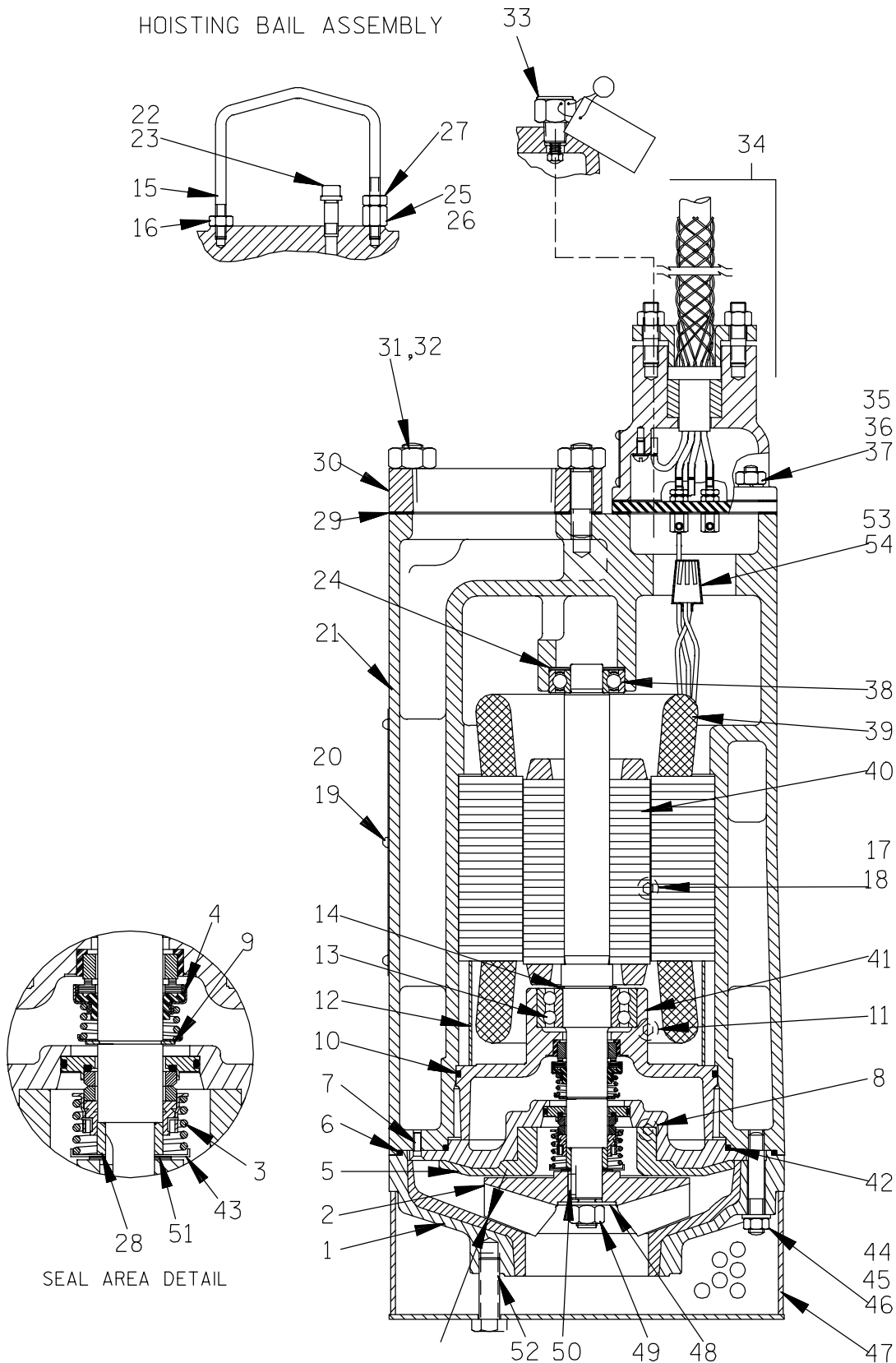


Pump speed and operating condition points must be within the continuous performance range shown on the curve(s).



Performance Curve – Model S3B18 – All Voltages

HOISTING BAIL ASSEMBLY



**THE GORMAN-RUPP COMPANY • MANSFIELD, OHIO**

GORMAN-RUPP OF CANADA LIMITED • ST. THOMAS, ONTARIO, CANADA

Printed in U.S.A.

# S3B18 230V 1P S3B18 230V/460V/575V 3P

AC

S/N 1217899 Up  
PUMP ISSUE 4

If your pump serial number is followed by an "N", your pump is **NOT** a standard production model. Contact the Gorman-Rupp Company to verify part numbers.

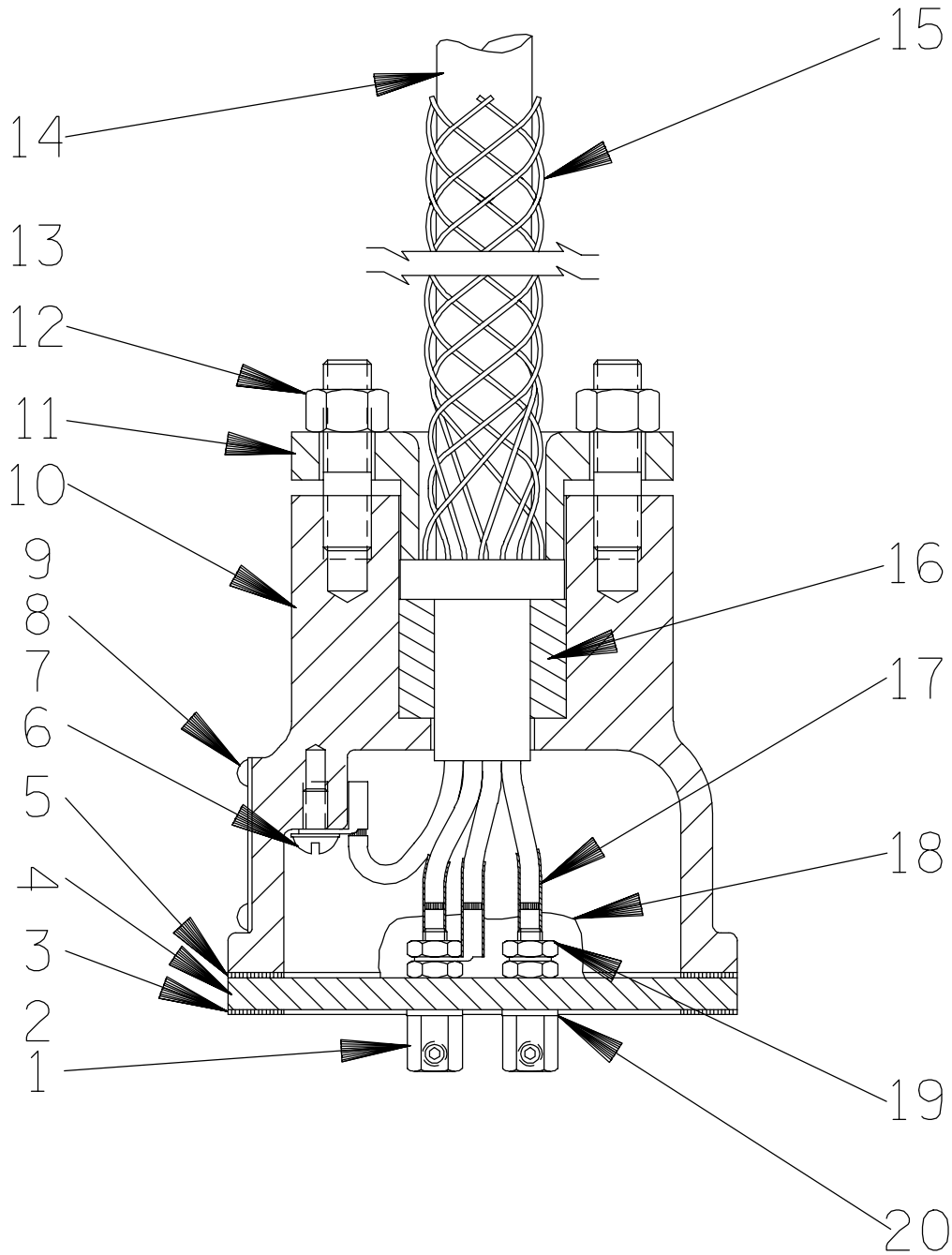
ITEM NO.	PART NAME	PART NUMBER	MAT'L CODE	QTY	ITEM NO.	PART NAME	PART NUMBER	MAT'L CODE	QTY
1	SUCTION HEAD ASSY	42111-325	24010	1	46	LOCKWASHER	J06	17000	6
2 *	IMPELLER	38618-701	1718H	1	47	STRAINER ASSY	46611-006	24170	1
3 *	LOWER SEAL ASSEMBLY	25277-345	---	1	48	FLAT WASHER	KB08	17000	1
4 *	UPPER SEAL	S1832	---	1	49	IMPELLER NUT	22561-145	---	1
5	SEAL PLATE ASSY	42111-064	24010	1	50 *	IMPELLER KEY	N0302 1/2	17000	1
6 *	MOTOR HSG O-RING	25152-270	---	1	51 *	IMPELLER ADJ SHIM SET	2Y	17090	1
7	FLT HD MACHINE SCREW	Y#10-03	17000	2	52	NYLOCK CAPSCREW	BT0806	17000	3
8	SEAL CAVITY DRAIN PLUG	PC04	17000	1	53	CONNECTOR			
9	SEAL RETAINING RING	S362	---	1		-230V 1P & 575V 3P	DOES NOT APPLY		
10 *	INTERMEDIATE O-RING	25152-258	---	1		-230V 3P	S1718	---	1
11	MTR CAVITY DRAIN PLUG	PC04	17000	1		-460V 3P	S1718	---	3
12	MOTOR BUSHING	31173-017	23010	1	54	HEAT-SHRINK TUBE			
13 *	LOWER BALL BEARING	23425-007	---	1		-230V 1P & 575V 3P	DOES NOT APPLY		
14	BRG SNAP RING	S1831	---	1		-230V 3P	31411-235	19450	1
15	HOISTING BAIL	31926-009	1503V	1		-460V 3P	31411-235	19450	3
16	HEX NUT	D08	17000	1					
17	SOCKET HD PIPE PLUG	PC04	17000	1		NOT SHOWN:			
18	ALLEN HD SETSCREW	GA0603	15990	1		MOTOR PLATE			
19	NAME PLATE	2613CY	17020	1		-230V 1P & 575V 3P	DOES NOT APPLY		
20	DRIVE SCREW	BM#04-03	17000	6		-230V 3P & 460V 3P	10436	17000	1
21	MOTOR HOUSING					DRIVE SCREW			
	-230V 1P	38311-013	13040	1		-230V 1P & 575V 3P	DOES NOT APPLY		
	-230V/460V/575 3P	38311-012	13040	1		-230V 3P & 460V 3P	BM#04-03	17000	4
22	PIPE CAP	25471-223	---	1		SUB PUMP OIL	9568	---	1
23	HVY PIPE NIPPLE	THA0608	15079	1		CONTROL BOX ASSY			
24	BRG SPRING WASHER	S1554	---	1		-230V 1P	27511-107	---	1
25	STUD	C0806	17000	1		-230V 3P	27515-564	---	1
26	COUPLING NUT	31811-019	17000	1		-460V 3P	27515-562	---	1
27	HEX NUT	D08	17000	1		-575V 3P	27515-565	---	1
28	SHAFT SLEEVE	13878	17020	1		MOTOR VOLTAGE TAG			
29 *	DISCH FLANGE GSKT	38687-045	20000	1		-230V 1P	38816-098	---	1
30	DISCHARGE FLANGE	38641-006	13040	1		-230V 3P	38816-094	---	1
31	STUD	C0809	17000	3		-460V 3P	38816-093	---	1
32	HEX NUT	D08	17000	3		-575V 3P	38816-128	---	1
33 *	RELIEF VALVE ASSY	46431-608	---	1		IMPELLER PULLER	10285	---	1
34	TERM HSG/CABLE ASSY	47367-082	---	1		CABLE TIE	27111-212	---	1
35	HEX NUT	D05	17000	4		HEATER PACK			
36	LOCKWASHER	J05	17000	4		-230V 1P	DOES NOT APPLY		
37	STUD	C0506	17000	4		-230V 3P	27521-206	---	1
38 *	UPPER BALL BEARING	S1044	---	1		-460V 3P	27521-203	---	1
39	STATOR					-575V	27521-203	---	1
	-230V 1P	47113-860	---	1		OPTIONAL:			
	-230V 3P & 460V 3P	47113-861	---	1		* REPAIR GASKET SET	11000S	---	1
	-575V 3P	47113-862	---	1		STAGING ADAPTOR KIT	48272-015	---	1
40 *	ROTOR & SHAFT ASSY					LIQUID LEVEL DEVICES:			
	-230V 1P	47112-805	---	1		DIAPHRAGM TYPE	GRP48-03 or GRP48-061		
	-230V/460V/575V 3P	47112-806	---	1		FLOAT TYPE	27471-180	---	1
41	INTERMEDIATE	38311-803	13040	1		120 VOLT CONTROL			
42 *	SEAL PLATE O-RING	S2194	---	1		-230V 1P	27521-324	---	1
43 *	SEAL SPRING RETAINER	8793	17990	1		-230V 3P & 460V 3P	47631-136	---	1
44	STUD	C0610	17000	6		-575V 3P	47631-072	---	1
45	HEX NUT	D06	17000	6					

\* INDICATES PARTS RECOMMENDED FOR STOCK

**THE GORMAN-RUPP COMPANY • MANSFIELD, OHIO**

GORMAN-RUPP OF CANADA LIMITED • ST. THOMAS, ONTARIO, CANADA

Printed in U.S.A.



**THE GORMAN-RUPP COMPANY • MANSFIELD, OHIO**

GORMAN-RUPP OF CANADA LIMITED • ST. THOMAS, ONTARIO, CANADA

Printed in U.S.A.

March 21, 2001  
Rev. A 4/18/01

©Copyright by the Gorman-Rupp Company

3 of 4

Page 150.3 B10.5

**S3B18 230V 1P**  
**S3B18 230V/460V/575V 3P**

AC

S/N 1217899 Up  
 PUMP ISSUE 4

**Terminal Housing**

If your pump serial number is followed by an "N", your pump is **NOT** a standard production model. Contact the Gorman-Rupp Company to verify part numbers.

ITEM NO.	PART NAME	PART NUMBER	MAT'L CODE	QTY
1	TERMINAL	11181	14100	3
2	ALLEN HEAD SETSCREW	GA#10-01S	15991	3
3	* LOWER TERMINAL PLATE GASKET	10321G	20000	1
4	TERMINAL PLATE	10320A	23010	1
5	* UPPER TERMINAL PLATE GASKET	10321G	20000	1
6	ROUND HEAD MACHINE SCREW	X#10-01 1/2	14990	1
7	T TYPE LOCK WASHER	AK#10	15991	1
8	INFORMATION PLATE	38816-047	17990	1
9	DRIVE SCREW	BM#04-03	17000	4
10	TERMINAL HOUSING	10757	13040	1
11	TERMINAL CAP	10756B	13040	1
12	STUD	C0606	17000	2
13	HEX NUT	D06	17000	2
14	* CABLE ASSEMBLY	9166H	---	1
15	* CABLE GRIP	11227B	---	1
16	* GLAND BUSHING	10758F	19100	1
17	HEAT SHRINK TUBE	31411-203	19530	3
18	1 OZ RTV SEALANT	18771-106	---	1
19	HEX NUT	D#10	14990	6
20	DYNA-SEAL WASHER	S1590	---	3

OPTIONAL:

HEAT SHRINK TERMINAL KIT	48315-008	---	1
--------------------------	-----------	-----	---

\* INDICATES PARTS RECOMMENDED FOR STOCK

**THE GORMAN-RUPP COMPANY • MANSFIELD, OHIO**

GORMAN-RUPP OF CANADA LIMITED • ST. THOMAS, ONTARIO, CANADA Printed in U.S.A.

**For U.S. and International Warranty Information,  
Please Visit [www.grpumps.com/warranty](http://www.grpumps.com/warranty)  
or call:  
U.S.: 419-755-1280  
International: +1-419-755-1352**

**For Canadian Warranty Information,  
Please Visit [www.grcanada.com/warranty](http://www.grcanada.com/warranty)  
or call:  
519-631-2870**