



**PUMP MODEL  
65A32-B**

**MANUAL  
PART 2 of 3**

**PARTS  
LIST  
WITH  
PERFORMANCE CURVE**

**GORMAN-RUPP PUMPS**

[www.grpumps.com](http://www.grpumps.com)

Register your new  
Gorman-Rupp pump online at  
**[www.grpumps.com](http://www.grpumps.com)**

Valid serial number and e-mail address required.

**RECORD YOUR PUMP MODEL AND SERIAL NUMBER**

Please record your pump model and serial number in the spaces provided below. Your Gorman-Rupp distributor needs this information when you require parts or service.

Pump Model: \_\_\_\_\_

Serial Number: \_\_\_\_\_

## PERFORMANCE CURVE – SECTION A

### RECORDING MODEL AND SERIAL NUMBERS

Please record the pump model and serial number in the spaces provided below and in the separate Installation/Operation Manual accompanying your pump. Your Gorman-Rupp distributor needs this information when you require parts or service.

Pump Model: \_\_\_\_\_

Serial Number: \_\_\_\_\_

### WARRANTY INFORMATION

The pump warranty is provided as part of Gorman-Rupp's support program for customers who operate and maintain their equipment as described in this manual and other accompanying literature. Please note that should the equipment be abused or modified to change its performance beyond the original factory specifications, the warranty will become void and any claim will be denied.

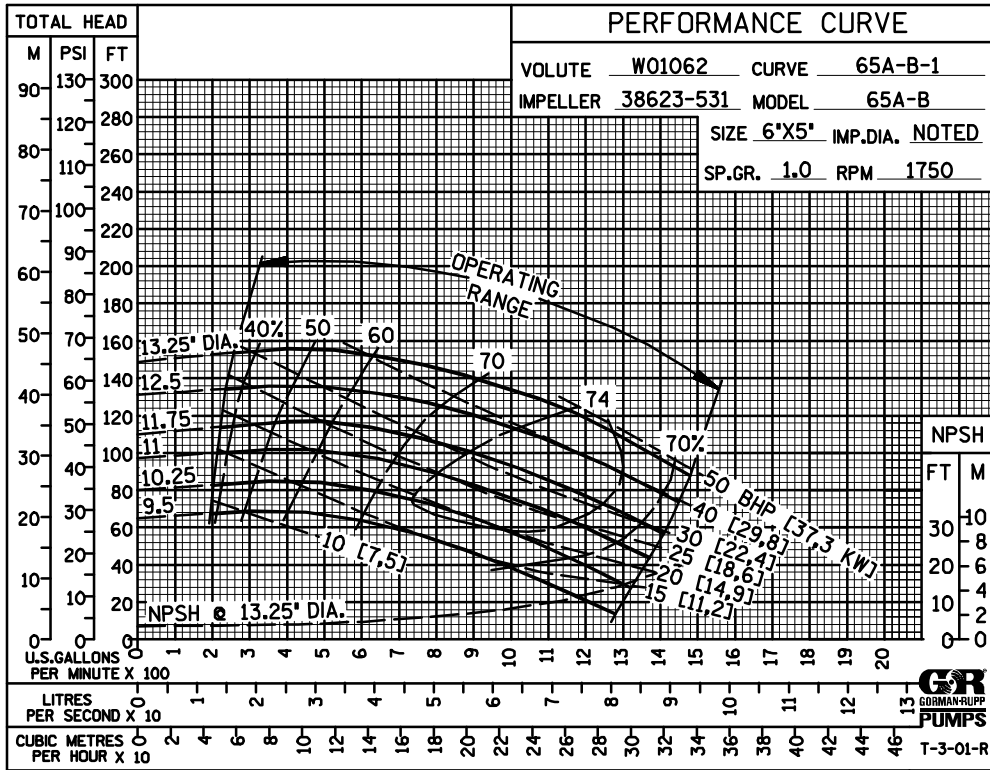
### PERFORMANCE CURVES

The performance curves on the following page are based on 70 °F (21 °C) clear water (or corrected to .80 specific gravity) at sea level with minimum suction lift. Since pump installations are seldom identical, your performance may be different due to such factors as viscosity, specific gravity, elevation, temperature, and impeller trim.

If your pump serial number is followed by an "N", your pump is **NOT** a standard production model. Contact the Gorman-Rupp Company to verify performance or part numbers.

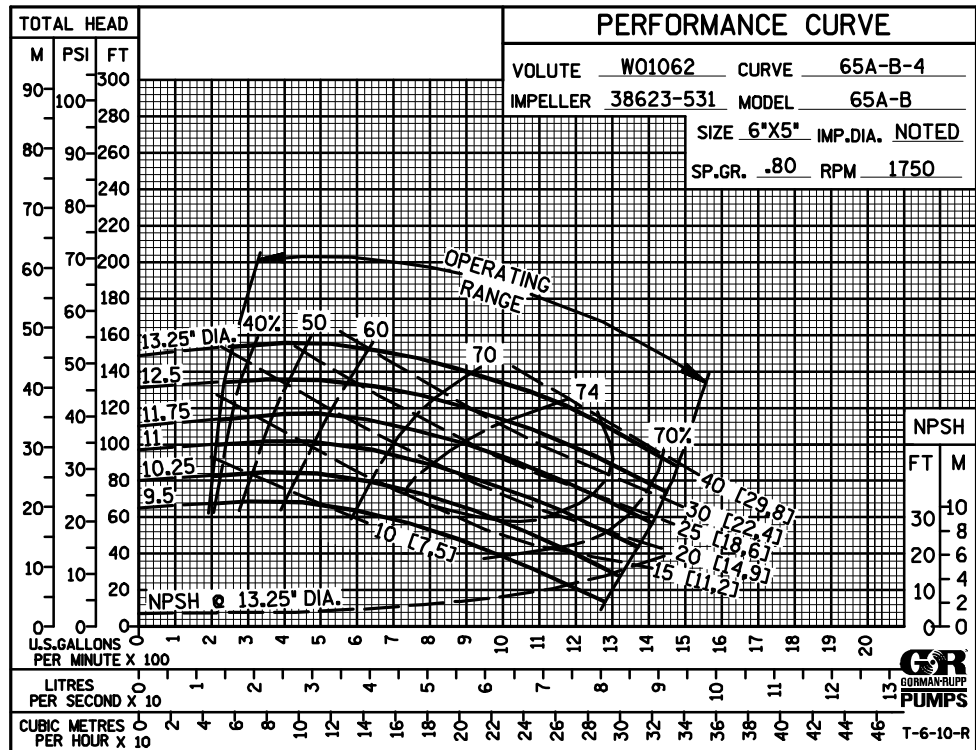


Pump speed and operating condition points must be within the continuous performance range shown on the curve(s).



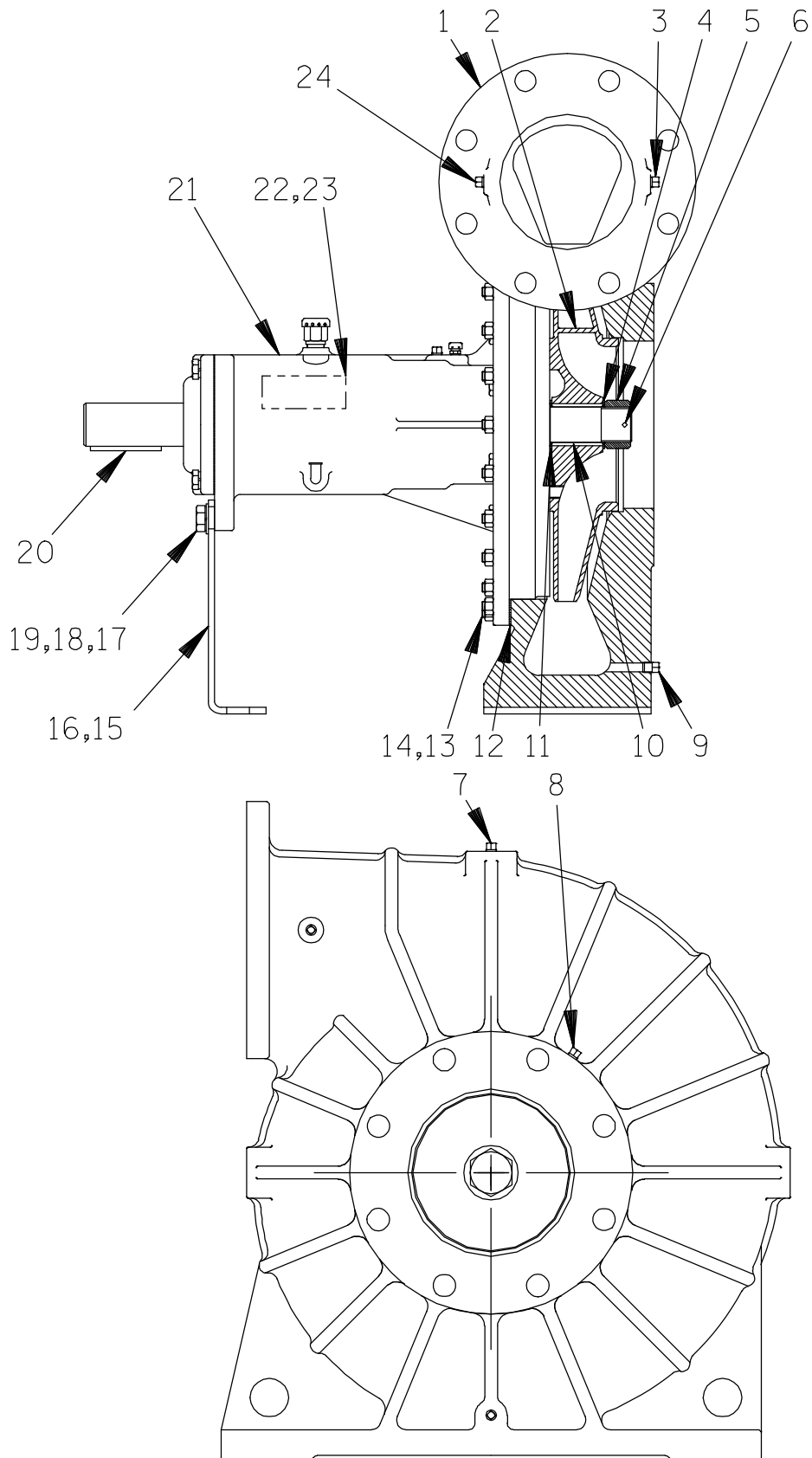
(Based on Clear Water)

(Based on Petroleum Products)



Performance Curves – Model 65A31–B

**This Page Intentionally Blank**



**GORMAN-RUPP PUMPS**

[www.grpumps.com](http://www.grpumps.com)

# 65A32—B

S/N 1061560 Up  
PUMP ISSUE 1

## PARTS LIST Pump Model 65A31—B

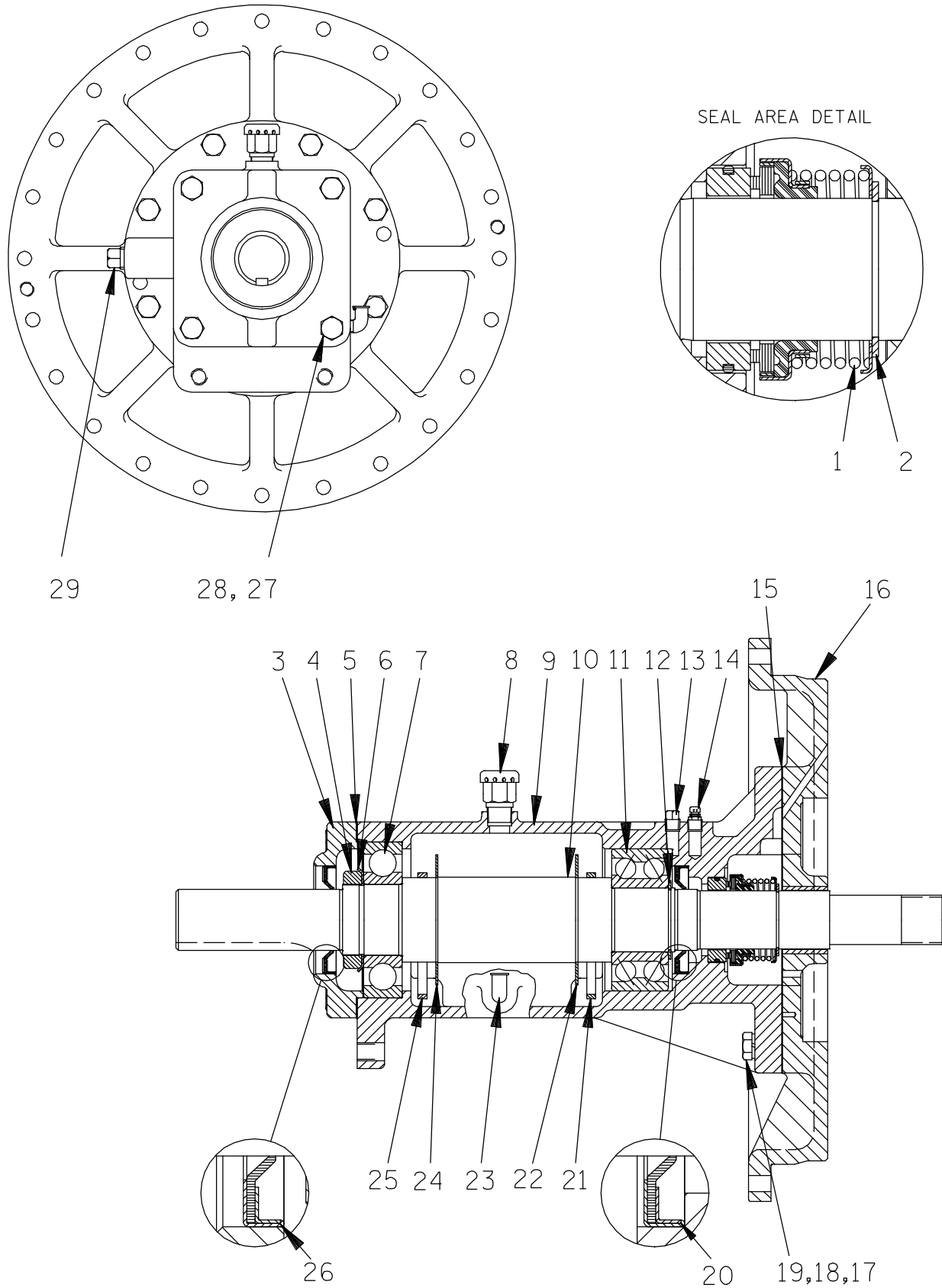
If your pump serial number is followed by an "N", your pump is **NOT** a standard production model. Contact the Gorman-Rupp Company to verify part numbers.

ITEM NO.	PART NAME	PART NUMBER	MAT'L CODE	QTY	ITEM NO.	PART NAME	PART NUMBER	MAT'L CODE	QTY
☞ 1	PUMP CASING	SEE NOTE BELOW		1	18	LOCKWASHER	J08	15991	2
2 *	IMPELLER	38623-531	13048	1	19	FLAT WASHER	K08	15991	2
☞ 3	PIPE PLUG	P02	15079	1	20 *	SHAFT KEY	N0611	15990	1
4	IMPELLER WASHER	K76643	15991	1	21	BRG HOUSING ASSY	R12948-02	----	1
5	IMPELLER NUT	K88233	15111	1	22	NAME PLATE	2613ED	13990	1
6	SPIRAL PIN	21137-079	----	1	23	DRIVE SCREW	BM#04-03	15990	2
☞ 7	PIPE PLUG	P02	15079	1	☞ 24	PIPE PLUG	P02	15079	1
☞ 8	PIPE PLUG	P02	15079	1	NOT SHOWN:				
☞ 9	PIPE PLUG	P02	15079	1	* DISCH FLANGE GASKET	1678G	19060	19060	1
10 *	IMPELLER KEY	K79330	16120	2	* SUCT FLANGE GASKET	1679G	19370	19370	1
11	IMPELLER WASHER	K76643	15991	1	G-R DECAL	GR-03	----	----	1
12 *	PUMP CASING GASKET	N15237-21	19060	1	DISCHARGE STICKER	6588BJ	----	----	1
☞ 13	STUD	C0606-1/2	15991	24	ROTATION DECAL	2613M	----	----	1
14	HEX NUT	D06	15991	24	SUCTION STICKER	6588AG	----	----	1
15	BRG HSG SUPPORT	R12852-02	15990	1	INSTRUCTION TAG	38817-011	----	----	1
16	G-R DECAL	GR-03	----	1	BEARING LUBE DECAL	38816-074	----	----	1
17	HEX HD CAPSCREW	B0805	15991	2					

\* INDICATES PARTS RECOMMENDED FOR STOCK

☞ INCLUDED WITH REPAIR 46474-335 ---- 1  
PUMP CASING ASSY

### GORMAN-RUPP PUMPS



**GORMAN-RUPP PUMPS**



# 65A32-B

S/N 1061560 Up  
PUMP ISSUE 1

## PARTS LIST R12948-02 Bearing Housing Assembly

ITEM NO.		PART NAME	PART NUMBER	MAT'L CODE	QTY
1	*	SEAL ASSEMBLY	25271-921	---	1
2		RETAINING RING	24124-243	---	1
3		BEARING CAP	R12770-02	10010	1
4		BEARING LOCK NUT	23962-011	---	1
5	*	BEARING CAP GASKET	N18938-01	18000	1
6		BRG LOCKWASHER	23962-511	---	1
7	*	OUTBOARD BEARING	S1077	---	1
8		AIR VENT	S1703	---	1
9		BEARING HOUSING	W01172-04	11010	1
10	*	IMPELLER SHAFT	T08656-02	15010	1
11	*	INBOARD BEARING	23421-410	---	1
12		BEARING RET RING	24124-245	---	1
13		PIPE PLUG	P02	15079	1
14		AIR VENT FITTING	S2162	---	1
15	*	BODY COVER GASKET	R12923	18000	1
16		BODY COVER	T03712-20	10140	1
17		HEX HD CAPSCREW	21632-599	---	8
18		LOCKWASHER	J06	15991	8
19		DOWEL PIN	21133-108	---	2
20	*	OIL SEAL	25227-240	---	1
21		OIL RING	K86483	15030	1
22		OIL RING STOP	K76632-01	---	1
23		OILER	26713-054	---	1
24		OIL RING STOP	K76632-01	---	1
25		OIL RING	K86483	15030	1
26	*	OIL SEAL	25227-240	---	1
27		HEX HD CAPSCREW	21632-597	---	4
28		LOCKWASHER	J06	15991	4
29		PIPE PLUG	P06	15079	1
OPTIONAL:					
		TEFLON SEAL	25271-761	---	1

\* INDICATES PARTS RECOMMENDED FOR STOCK

### GORMAN-RUPP PUMPS

**For U.S. and International Warranty Information,  
Please Visit [www.grpumps.com/warranty](http://www.grpumps.com/warranty)  
or call:**

**U.S.: 419-755-1280  
International: +1-419-755-1352**

**For Canadian Warranty Information,  
Please Visit [www.grcanada.com/warranty](http://www.grcanada.com/warranty)  
or call:**

**519-631-2870**