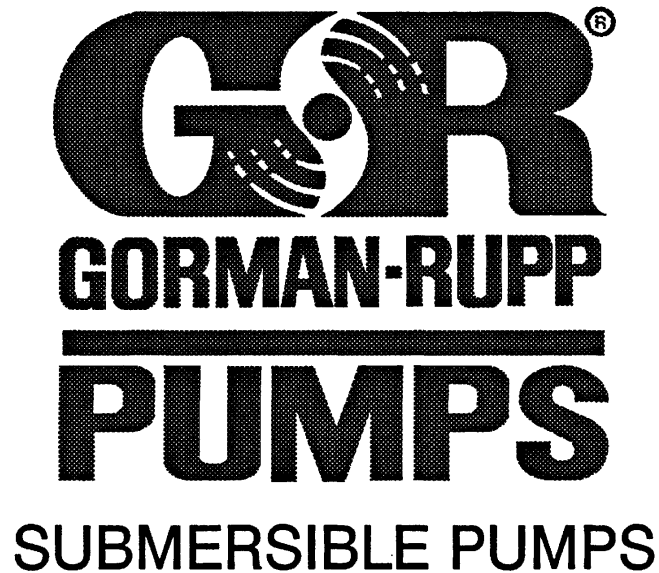

**INSTALLATION, OPERATION,
AND MAINTENANCE MANUAL**
WITH PARTS LIST



MODELS
S6E1-E60 460/3
S6E1-E60 575/3

THE GORMAN-RUPP COMPANY • MANSFIELD, OHIO

GORMAN-RUPP OF CANADA LIMITED • ST. THOMAS, ONTARIO, CANADA Printed in U.S.A.

©Copyright by the Gorman-Rupp Company

TABLE OF CONTENTS

INTRODUCTION	PAGE I – 1
WARNINGS - SECTION A	PAGE A – 1
INSTALLATION – SECTION B	PAGE B – 1
PREINSTALLATION INSPECTION	PAGE B – 1
Lubrication	PAGE B – 1
PUMP INSTALLATION	PAGE B – 2
Pump Specifications	PAGE B – 2
Pump Dimensions	PAGE B – 2
Lifting	PAGE B – 3
Positioning the Pump	PAGE B – 3
Typical Pump Installations	PAGE B – 4
PIPING	PAGE B – 4
CONTROL BOX INSTALLATION	PAGE B – 4
Enclosure	PAGE B – 5
Control Box Dimensions (Both Voltages)	PAGE B – 5
Grounding Methods	PAGE B – 5
Field Wiring Connections (Incoming Power)	PAGE B – 6
Pump Motor Voltage Limits	PAGE B – 7
Pump Power Cable Connections	PAGE B – 7
Pump Power Cable Specifications Model S6E	PAGE B – 7
Control Box Specifications	PAGE B – 8
LIQUID LEVEL DEVICES	PAGE B – 8
WIRING DIAGRAMS	PAGE B – 9
Elementary Diagram (27515–525 and 27515–535)	PAGE B – 10
Pictorial Diagram (27515–525 and 27515–535)	PAGE B – 11
PARTS LISTS	
27515–525and 27515–535	PAGE B – 12
OPERATION – SECTION C	PAGE C – 1
CONTROL BOX FUNCTION	PAGE C – 1
Component Function	PAGE C – 1
PUMP OPERATION	PAGE C – 2
Liquid Temperature And Overheating	PAGE C – 2
Checking Pump Rotation	PAGE C – 2
STARTING	PAGE C – 3
Standard Pump (No Liquid Level Devices)	PAGE C – 3
With Automatic Liquid Level Devices	PAGE C – 3
STOPPING	PAGE C – 3
Operational Checks	PAGE C – 4
Cold Weather Preservation	PAGE C – 4
TROUBLESHOOTING – SECTION D	PAGE D – 1
ELECTRICAL TESTING	PAGE D – 3
Test Equipment	PAGE D – 3
Voltage Imbalance	PAGE D – 3
Motor And Motor Power Cable Continuity	PAGE D – 4
Insulation Resistance	PAGE D – 4

TABLE OF CONTENTS
(continued)

PUMP MAINTENANCE AND REPAIR - SECTION E	PAGE E - 1
STANDARD PERFORMANCE CURVE	PAGE E - 1
PARTS LISTS	
Pump Model S6E1-E60 460/3 & S6E1-E60 575/3	PAGE E - 3
47367-079 Standard Terminal Housing And Cable Assembly	PAGE E - 5
47367-080 Optional Terminal Housing And Cable Assembly	PAGE E - 7
PUMP AND SEAL DISASSEMBLY AND REASSEMBLY	PAGE E - 8
PUMP END DISASSEMBLY	PAGE E - 9
Strainer Removal	PAGE E - 9
Draining Oil From Seal Cavity	PAGE E - 9
Positioning Pump For Disassembly	PAGE E - 9
Suction Head And Wear Ring Removal	PAGE E - 9
Diffuser Removal	PAGE E - 9
Impeller Removal	PAGE E - 9
Lower Seal Removal	PAGE E - 10
Upper Seal Removal	PAGE E - 10
PUMP END REASSEMBLY	PAGE E - 10
Cleaning And Inspection Of Pump Parts	PAGE E - 10
Upper Seal Installation	PAGE E - 12
Lower Seal Installation	PAGE E - 12
Impeller Installation	PAGE E - 13
Diffuser Installation	PAGE E - 13
Suction Head And Wear Ring Installation	PAGE E - 13
Strainer Installation	PAGE E - 14
MOTOR DISASSEMBLY	PAGE E - 14
Terminal Housing And Power Cable Removal And Disassembly	PAGE E - 14
Shaft And Rotor Removal	PAGE E - 15
Stator Removal	PAGE E - 16
Hoisting Bail	PAGE E - 17
MOTOR REASSEMBLY	PAGE E - 17
Stator Installation	PAGE E - 17
Shaft And Rotor Installation	PAGE E - 18
Terminal Housing And Power Cable Reassembly And Installation	PAGE E - 19
Sealing Terminal Housing Connections With Hot Melt Adhesive	PAGE E - 20
Sealing Terminal Housing Connections With Potting Compound	PAGE E - 21
Terminal Housing Reassembly	PAGE E - 22
FINAL ASSEMBLY	PAGE E - 23
Hoisting Bail	PAGE E - 23
LUBRICATION	PAGE E - 23
Seal Cavity	PAGE E - 23
Pump Oil Specifications	PAGE E - 24
Motor Housing Cavity	PAGE E - 24
MOTOR LEAK TEST	PAGE E - 24

INTRODUCTION

This Installation, Operation, and Maintenance manual is designed to help you achieve the best performance and longest life from your Gorman-Rupp pump.

The pump is capable of handling most non-volatile, non-flammable liquids. Refer to the following chart for the materials of construction for your particular

pump. The pump may be operated fully or partially submerged, since the integral air-filled electric motor is thermally protected and cooled by the liquid being pumped. The motor must be operated through the control box furnished with the pump as standard equipment. Neither the pump nor the control box are explosion-proof, and should not be operated in a hazardous atmosphere.

Pump Model	Basic Materials of Construction
S6E1-E60 460/3	Aluminum, w/austempered ductile iron impeller, diffuser, and seal plate.
S6E1-E60 575/3	Aluminum, w/austempered ductile iron impeller, diffuser, and seal plate.

If there are any questions regarding the pump or its application which are not covered in this manual or in other literature accompanying this unit, please contact your Gorman-Rupp distributor, or write:

The Gorman-Rupp Company
P.O. Box 1217
Mansfield, Ohio 44901-1217

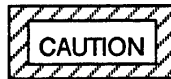
or

Gorman-Rupp of Canada Limited
70 Burwell Road
St. Thomas, Ontario N5P 3R7

The following are used to alert maintenance personnel to procedures which require special attention, to those which could damage equipment, and to those which could be dangerous to personnel:

NOTE

Instructions to aid in installation, operation, and maintenance or which clarify a procedure.



INSTRUCTIONS WHICH MUST BE FOLLOWED TO AVOID CAUSING DAMAGE TO THE PRODUCT OR OTHER EQUIPMENT INCIDENTAL TO THE INSTALLATION. THESE INSTRUCTIONS DESCRIBE THE REQUIREMENTS AND THE POSSIBLE DAMAGE WHICH COULD RESULT FROM FAILURE TO FOLLOW THE PROCEDURES.



THESE INSTRUCTIONS MUST BE FOLLOWED TO AVOID CAUSING INJURY OR DEATH TO PERSONNEL, AND DESCRIBE THE PROCEDURE REQUIRED AND THE INJURY WHICH COULD RESULT FROM FAILURE TO FOLLOW THE PROCEDURE.

WARNINGS - SECTION A

THESE WARNINGS APPLY TO THE S SERIES SUBMERSIBLE MOTOR DRIVEN PUMP AND CONTROL BOX.



BEFORE ATTEMPTING TO OPEN OR SERVICE THE PUMP:

1. FAMILIARIZE YOURSELF WITH THIS MANUAL.
2. LOCK OUT INCOMING POWER TO THE CONTROL BOX TO ENSURE THAT THE PUMP WILL REMAIN INOPERATIVE.
3. ALLOW THE PUMP TO COOL IF OVERHEATED.
4. CLOSE THE DISCHARGE VALVE (IF USED).



THE PUMP IS DESIGNED TO BE OPERATED THROUGH THE CONTROL BOX FURNISHED WITH THE PUMP. THE CONTROL BOX PROVIDES OVERLOAD PROTECTION AND POWER CONTROL. DO NOT CONNECT THE PUMP MOTOR DIRECTLY TO THE INCOMING POWER LINES.



THE ELECTRICAL POWER USED TO OPERATE THIS PUMP IS HIGH ENOUGH TO CAUSE INJURY OR DEATH. OBTAIN THE SERVICES OF A QUALIFIED ELECTRICIAN TO MAKE ALL ELECTRICAL CONNECTIONS. MAKE CERTAIN THAT THE PUMP AND ENCLOSURE ARE PROPERLY GROUNDED; NEVER USE GAS PIPE AS AN ELECTRICAL GROUND. BE SURE THAT THE INCOMING POWER MATCHES THE VOLTAGE AND PHASE OF THE PUMP AND CONTROL BEFORE CONNECTING THE POWER SOURCE. DO NOT RUN THE PUMP IF THE VOLTAGE IS NOT WITHIN THE LIMITS. IF THE OVERLOAD UNIT IS

TRIPPED DURING PUMP OPERATION, CORRECT THE PROBLEM BEFORE RESTARTING THE PUMP.



THE ELECTRICAL POWER USED TO OPERATE THIS PUMP IS HIGH ENOUGH TO CAUSE INJURY OR DEATH. MAKE CERTAIN THAT THE CONTROL HANDLE ON THE CONTROL BOX IS IN THE OFF POSITION AND LOCKED OUT, OR THAT THE POWER SUPPLY TO THE CONTROL BOX HAS BEEN OTHERWISE CUT OFF AND LOCKED OUT, BEFORE ATTEMPTING TO OPEN OR SERVICE THE PUMP ASSEMBLY. TAG ELECTRICAL CIRCUITS TO PREVENT ACCIDENTAL START-UP.



NEVER ATTEMPT TO ALTER THE LENGTH OR REPAIR ANY POWER CABLE WITH A SPLICE. THE PUMP MOTOR AND CABLE MUST BE COMPLETELY WATERPROOF. INJURY OR DEATH MAY RESULT FROM ALTERATIONS.



ALL ELECTRICAL CONNECTIONS MUST BE IN ACCORDANCE WITH THE NATIONAL ELECTRIC CODE AND ALL LOCAL CODES. IF THERE IS A CONFLICT BETWEEN THE INSTRUCTIONS PROVIDED AND N.E.C. SPECIFICATIONS, N.E.C. SPECIFICATIONS SHALL TAKE PRECEDENCE. ALL ELECTRICAL EQUIPMENT SUPPLIED WITH THIS PUMP WAS IN CONFORMANCE WITH N.E.C. REQUIREMENTS IN EFFECT ON THE DATE OF MANUFACTURE. FAILURE TO FOLLOW APPLICABLE SPECIFICATIONS, OR SUBSTITUTION OF ELECTRICAL PARTS NOT SUPPLIED OR APPROVED BY THE MANUFACTURER, CAN RESULT IN SEVERE INJURY OR DEATH.



THIS PUMP IS **NOT** DESIGNED TO PUMP VOLATILE, EXPLOSIVE, OR FLAMMABLE MATERIALS. REFER TO THE CHART IN INSTALLATION, SECTION B FOR THE BASIC MATERIALS OF CONSTRUCTION FOR EACH PUMP COVERED IN THIS MANUAL. **DO NOT** ATTEMPT TO PUMP ANY LIQUIDS FOR WHICH YOUR PUMP IS NOT APPROVED, OR WHICH MAY DAMAGE THE PUMP OR ENDANGER PERSONNEL AS A RESULT OF PUMP FAILURE. CONSULT THE FACTORY FOR SPECIFIC APPLICATION DATA.



APPROACH THE PUMP CAUTIOUSLY AFTER IT HAS BEEN RUNNING. ALTHOUGH THE MOTOR IS COOLED BY THE LIQUID BEING PUMPED, NORMAL OPERATING TEMPERATURES CAN

BE HIGH ENOUGH TO CAUSE BURNS. THE TEMPERATURE WILL BE ESPECIALLY HIGH IF OPERATED AGAINST A CLOSED DISCHARGE VALVE. NEVER OPERATE AGAINST A CLOSED DISCHARGE VALVE FOR LONG PERIODS OF TIME.



AFTER THE PUMP HAS BEEN INSTALLED, MAKE CERTAIN THAT THE PUMP AND ALL PIPING OR HOSE CONNECTIONS ARE SECURE BEFORE OPERATION.



THE PUMP MOTOR IS THERMALLY PROTECTED AND SUBJECT TO AUTOMATIC RESTART. ALWAYS TERMINATE POWER TO THE PUMP BEFORE PERFORMING SERVICE FUNCTIONS.

INSTALLATION – SECTION B

Review all WARNINGS in Section A.

This section is intended only to summarize recommended installation practices for the pump and control box. If there are any questions concerning your specific application, contact your Gorman-Rupp distributor or the Gorman-Rupp Company.

Automatic liquid level devices are not furnished with the pump, but are available from Gorman-Rupp as options (see **Liquid Level Devices** in this Section); for information on installing and operating these devices, see the technical data accompanying that option.

This section is intended only to summarize recommended installation practices for the pump and control box. If there are any questions concerning your specific installation, contact your Gorman-Rupp distributor or the Gorman-Rupp Company.

PREINSTALLATION INSPECTION

The pump and control box were inspected and tested before shipment from the factory. Before installation, inspect the pump for damage which may have occurred during shipment. Check as follows:

- a. Inspect the pump assembly for cracks, dents, damaged threads, and other obvious damage.
- b. Check for and tighten loose attaching hardware. Since gaskets tend to shrink after drying, check for loose hardware at mating surfaces.
- c. The standard pump is furnished with 50 feet (15,2 meters) of power cable. Inspect the cable for cuts or damage.
- d. Inspect the control box for cracks, dents, and other obvious damage.
- e. Check that all control box components are securely attached to their mounting surfaces, and that the electrical connections are tight and free of corrosion.
- f. Compare the amperes, phase, voltage and hertz indicated on the motor nameplate to the ratings indicated for the control box.
- g. Carefully read all tags, decals, and markings on the pump assembly and the control box, and perform all duties as indicated.
- h. Check the pump and motor for any oil leaks. An oil leak may indicate a cut O-ring or other damage.
- i. If the pump and control box have been stored for more than 12 months, some of the components or lubricants may have exceeded their maximum shelf life. These **must be inspected or replaced** to ensure maximum pump service.

If the maximum shelf life has been exceeded, or if anything appears to be abnormal, contact your Gorman-Rupp distributor or the factory to determine the repair or updating policy. **Do not** put the pump into service until appropriate action has been taken.

Lubrication

This pump utilizes one lubrication cavity, located just behind the seal plate. It is filled with premium quality submersible pump oil which lubricates two shaft seals. The motor operates in air and requires no lubrication.

The lower shaft seal prevents liquid from entering the lubrication cavity, while the upper shaft seal prevents oil leakage into the motor. The upper seal also acts as backup protection in the event of lower seal failure.

The lubrication cavity was fully lubricated when shipped from the factory. Check the oil level before installing the pump (see **LUBRICATION in MAINTENANCE AND REPAIR**). An additional quart of oil has been provided with the pump to “top off” the oil cavity. If the oil level is abnormally low, determine the cause before putting the pump into service.

PUMP INSTALLATION

Pump Specifications

See Tables 1 and 2 for pump specifications.

Table 1. Pump Specifications

Model	Voltage/ Phase	Motor Horse- power	Motor Speed (RPM)	Full Load Amperes	No Load Amperes	Locked Rotor Amperes	Discharge Size (NPT)
S6E	460/3	60	3450	66	11	500	6 INCH
S6E	575/3	60	3450	52.8	8.8	400	6 INCH

Table 2. Additional Specifications

Approximate Weights:	
Pump:	
Models S6E1-E60 460/3 & 575/3	135 lbs. (61,2 kg)
Control Box Only	32 lbs. (14 kg)
50 ft. of Cable	52,5 lbs. (23,8 kg)
Seal oil cavity capacity	4.5 U.S. quarts (4,3 liters)
Motor Cable	#6 AWG., 9 Conductor, 600/2000V, Type SPC, Yellow Jacket 1.05 ± 0.03 O.D.
Trailing Cable	#6 Ga., 3 Conductor Type G-GC, 1.05 ± 0.03 O.D. 600/2000V, 90°C, Protected by an Instantaneous Trip Circuit Breaker set at 300 Amps Max., Flame Resistant, Max. Length 500 Ft.

Pump Dimensions

The standard pump is provided with a suction strainer to prevent large solids from clogging the impeller. On high discharge head applications, the

strainer can be removed, and the pump suction "staged" to the discharge of another pump, allowing one pump to feed the other. See Figure 1 for the approximate physical dimensions of this pump and control box.

OUTLINE DRAWING

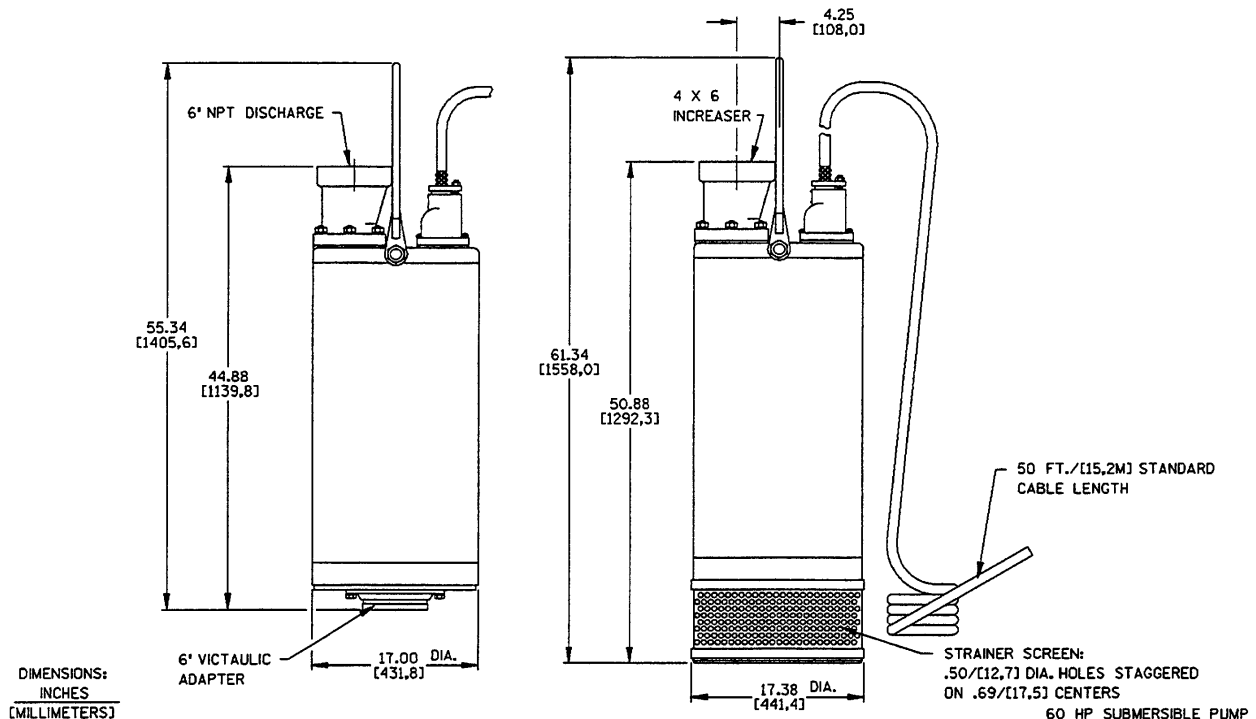


Figure 1. S6E1-E60 460/3 And S6E1-E60 575/3 Pump Models

Lifting

Use lifting equipment with a capacity of at least **5 times the weight of the complete unit** (include the weight of any customer-installed accessories, the power cable, and the control box if all are to be lifted). Refer to Table 2 for weights. Customer-installed equipment such as discharge piping **must** be removed before attempting to lift.



DO NOT ATTEMPT TO LIFT THE PUMP BY THE MOTOR POWER CABLE OR THE PIPING. ATTACH PROPER LIFTING EQUIPMENT TO THE LIFTING DEVICE FITTED TO THE PUMP. IF CHAINS OR CABLE ARE WRAPPED AROUND THE PUMP TO LIFT IT, MAKE CERTAIN THAT THEY ARE POSITIONED SO AS NOT TO DAMAGE THE PUMP, AND SO THAT THE LOAD WILL BE BALANCED.

Positioning the Pump

This pump is designed to operate fully or partially submerged. It may also be operated in air for extended periods. The rotating parts are oil lubricated, and the motor is cooled by a constant flow of air discharged through internal passages.

The pump will operate if positioned on its side, but this is not recommended because the motor torque could cause the pump to roll during operation.

The pump should be independently secured and supported by the lifting device fitted on the pump. If the application involves a lot of debris, protect the pump from excessive wear and clogging by suspending it in a perforated barrel or culvert pipe. If the bottom is heavily sludge-covered, rest the pump on support blocks or suspend it from a raft or similar device near the surface of the liquid. See Figure 2 for typical pump installations.

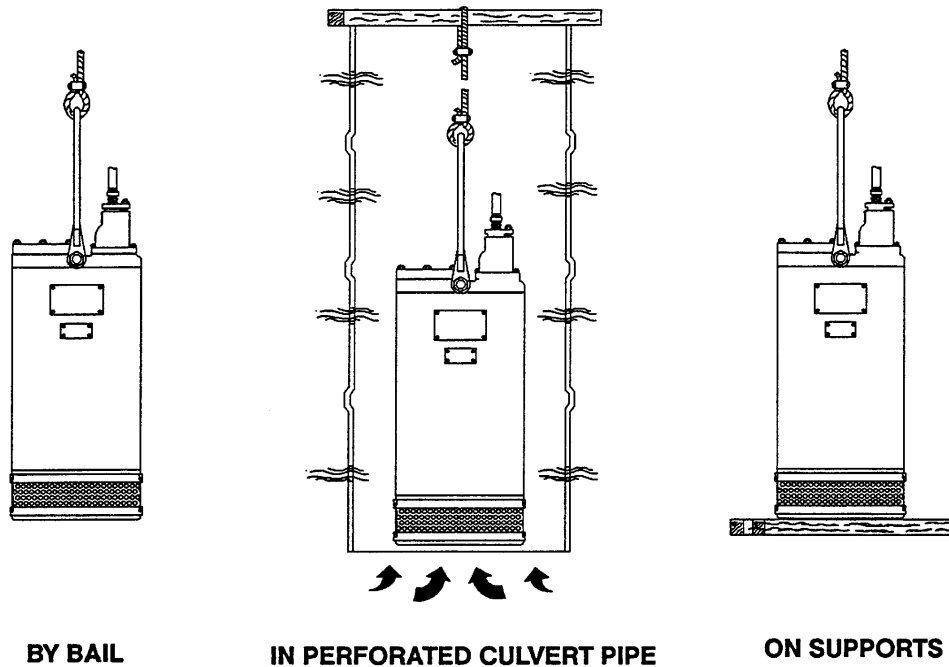


Figure 2. Typical Pump Installations

All liquid entering the pump must pass through a strainer screen. Any spherical solids which pass through the screen will pass through the pump.

NOTE

*Before actual operation, check the direction of impeller rotation to ensure that the pump is properly wired to the control box. See **Checking Pump Rotation** in **OPERATION**, Section C.*

For maximum pumping capacity, keep the discharge as short and straight as possible. Minimize the use of elbows and fittings which increase friction losses through the discharge piping system.

It is recommended that a check valve or throttling valve be installed in the discharge line to control siphoning or back flow when the pump is shut off.

It is recommended that a check valve or throttling valve be installed in the discharge line to control siphoning or back flow when the pump is shut off.

PIPING

No suction piping is required in a standard submerged application.

The pump is provided with a suction strainer to prevent large solids from clogging the impeller. On high discharge head applications, the strainer can be removed, and the pump suction "staged" to the discharge of another pump, allowing one pump to feed the other.

To determine the size of the discharge connection, see Table 1, **Pump Specifications**. Either hose or rigid pipe may be used. To facilitate mobility and

CONTROL BOX INSTALLATION

This pump is driven by an integral 30 horsepower motor. It is designed to operate through the control box furnished with the pump.



THE PUMP IS DESIGNED TO BE OPERATED THROUGH THE CONTROL BOX FURNISHED WITH THE PUMP. THE CONTROL BOX PROVIDES OVERLOAD PROTECTION AND POWER

CONTROL. DO NOT CONNECT THE PUMP MOTOR DIRECTLY TO THE INCOMING POWER LINES.

ble to the operator, and located close enough to the pump to avoid excessive voltage drop due to cable length (see **Pump Power Cable Connections**). After the box is installed, make certain the front cover latches properly.

Enclosure

The control box is a rainproof enclosure with a padlockable front cover. The enclosure is not designed to be watertight, and should not be submerged. See Figure 3 for enclosure dimensions and callouts.

Secure the control box vertically on a level surface, above flood level. The box should be easily accessi-



FAILURE TO MOUNT THE CONTROL BOX VERTICALLY ON A LEVEL SURFACE MAY AFFECT OPERATION OF THE PUMP CONTROLS.

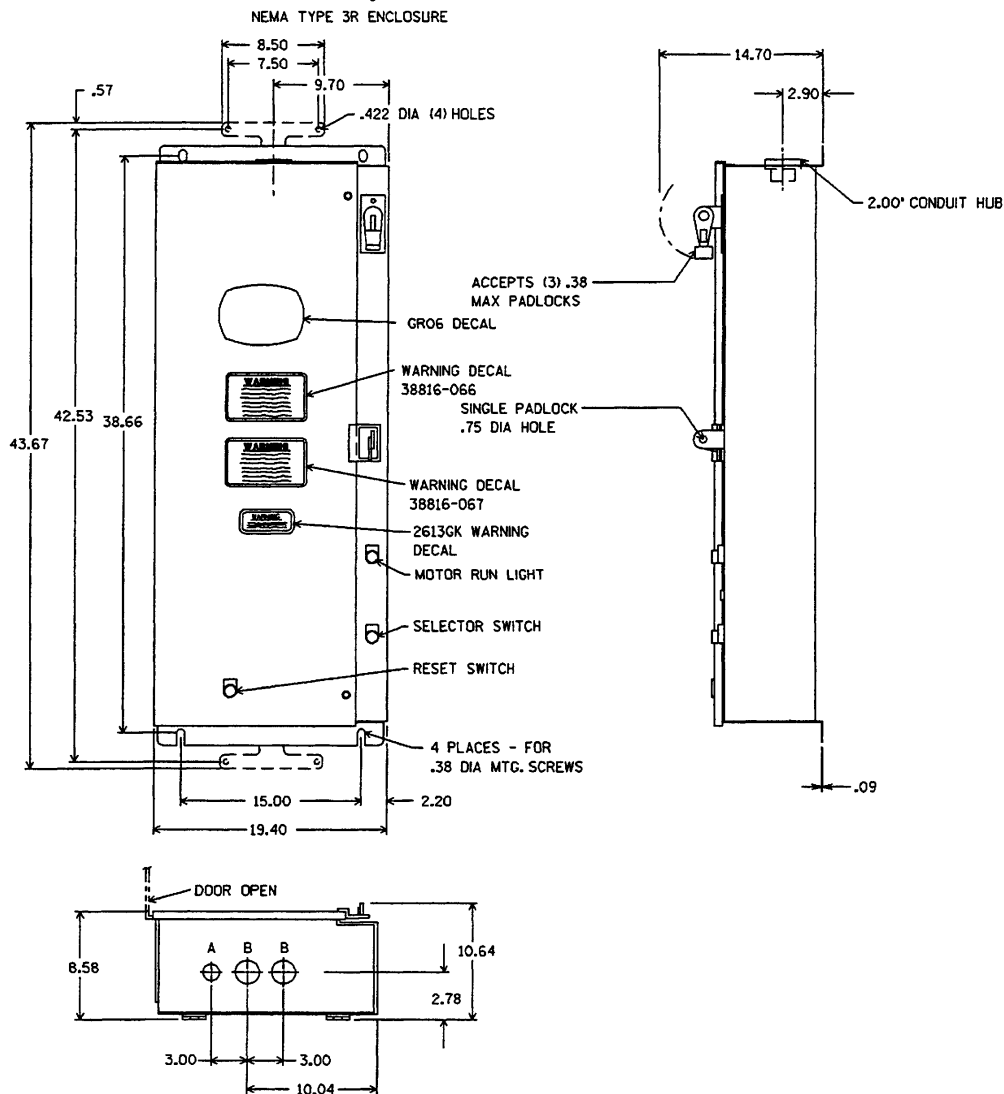


Figure 3. 460V and 575V Control Box Dimensions

Grounding Methods

Electrically ground the installation before connecting the field wiring to the control box. Install a

grounding terminal to the enclosure and connect it to a properly embedded electrode.

The material used for the electrode **must** be an excellent conductor of electricity, such as copper. If iron or steel is used, it must be galvanized or otherwise metal plated to resist corrosion. **Do not** coat the electrode with any material of poor conductivity, such as paint or plastic.

The electrode must conform to the recommendations of N.E.C. ARTICLE 250. Follow all installation requirements of the N.E.C., and all applicable codes. See Figure 4 for some suggested grounding methods.

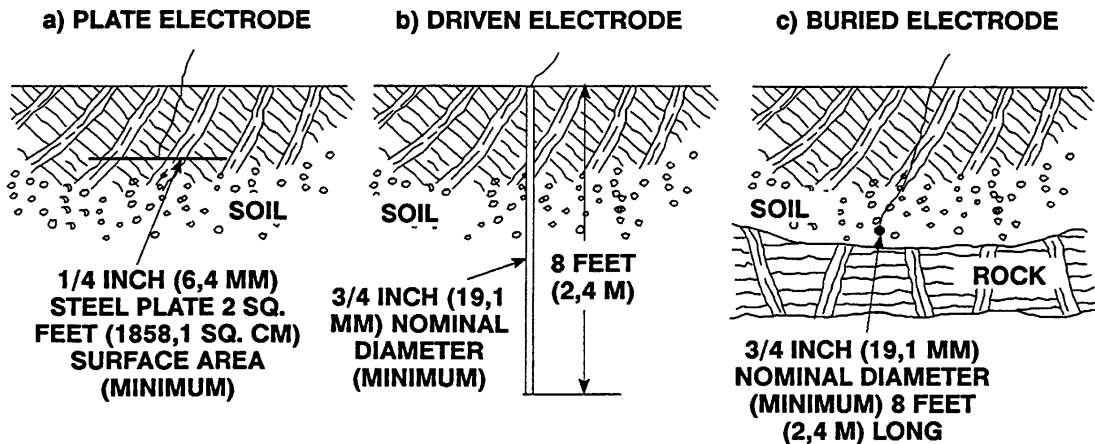


Figure 4. Suggested Grounding Methods

- a. **Plate Electrode:** An iron or steel plate, 1/4 inch (6,4 mm) thick, completely impeded in the ground. The plate must present a surface area of at least 2 square feet (1858,1 sq. cm).
- b. **Driven Electrode:** A rod or pipe, 3/4 inch (19,1 mm) in diameter minimum, 8 feet (2,4 m) long, completely driven into the ground.
- c. **Buried electrode:** If rock or stone prevents embedding the full 8 foot (2,4 m) length of the ground rod, bury it horizontally in a trench.

Space the ground rod or plates at least 6 feet (1,8 m) from any other electrode or ground rod, such as those used for signal circuits, radio grounds, lightning rods, etc.

The earth surrounding the ground rod or plate **must** contain enough moisture to make a good electrical connection. In dry or sandy areas, pour water around the rod, or consult qualified personnel to devise a method of improving the connection.



THE ELECTRICAL POWER USED TO OPERATE THIS PUMP IS HIGH ENOUGH TO CAUSE INJURY OR DEATH. MAKE CERTAIN THAT THE

CONTROL BOX IS PROPERLY GROUNDED AFTER INSTALLATION.

Field Wiring Connections (Incoming Power)

The trailing cable from the power source to the control box must be furnished by the customer. The cable must be flame-resistant, protected by an instantaneous circuit breaker, and meet the specifications indicated in Table 2 in this section.



THE ELECTRICAL POWER USED TO OPERATE THIS PUMP IS HIGH ENOUGH TO CAUSE INJURY OR DEATH. OBTAIN THE SERVICES OF A QUALIFIED ELECTRICIAN TO MAKE ALL ELECTRICAL CONNECTIONS. MAKE CERTAIN THAT THE PUMP AND ENCLOSURE ARE PROPERLY GROUNDED; NEVER USE GAS PIPE AS AN ELECTRICAL GROUND. BE SURE THAT THE INCOMING POWER MATCHES THE VOLTAGE AND PHASE OF THE PUMP AND CONTROL BEFORE CONNECTING THE POWER SOURCE. DO NOT RUN THE PUMP IF THE VOLTAGE IS NOT WITHIN THE LIMITS.

The pump control is designed to regulate a 460 or 575 volt, 3 phase, 60 hertz power supply. The field

wiring must be properly sized to ensure an adequate voltage supply. The voltage available at the motor must be within the range indicated in Table 3.

To calculate the voltage available at the motor, proceed as follows:

- a. Measure the incoming voltage across lines 1 & 2, 2 & 3, and 1 & 3 **while the pump is operating at full capacity**. See the wiring diagrams in this section for power supply connections.
- b. Next, subtract the motor cable voltage drop (see Table 4, **Pump Power Cable Specifications**).
- c. Do not continue to operate the pump if this voltage is not within the recommended limits. Obtain the services of a qualified electrician to determine the correct field wiring size and other details to insure an adequate voltage supply to the pump.

Table 3. Pump Motor Voltage Limits

Nominal Voltage	Phase	Minimum Voltage	Maximum Voltage
460	3	420	500
575	3	520	630

Use the packing gland nuts to secure and seal the incoming field wiring to the control box. make certain all connections are tight and that cable entry points are rainproof. Support the cable weight, if required, to prevent excessive strain on cable clamps and cable.

NOTE

After the power cables have been connected to the control box, the packing gland nuts must be wired

Table 4. Pump Power Cable Specifications Model S6E

Voltage/Phase	A.W.G Cable Size	Cable O.D. (Inches) [mm]	Conductor Dia. (Inches) [mm]	Amp Rating * at 40°C (Amperes)	DC Resistance at 25°C (ohms/ 1000 ft. [304,8 m])	Voltage Drop at Max. Load per 100 ft. [30,5 m]
460/3	6	1.25 [31,8]	0.21 [5,3]	79	0.45	5.94
575/3	6	1.25 [31,8]	0.21 [5,3]	79	0.45	4.75

* Applies only to type SPC cable. Refer to manufacturer's specifications for other cable.

and sealed before operation. See *Terminal Housing And Power Cable Reassembly* in Section E for instructions.

Pump Power Cable Connections



THE ELECTRICAL POWER USED TO OPERATE THIS PUMP IS HIGH ENOUGH TO CAUSE INJURY OR DEATH. OBTAIN THE SERVICES OF A QUALIFIED ELECTRICIAN TO MAKE ALL ELECTRICAL CONNECTIONS. MAKE CERTAIN THAT INCOMING POWER TO THE CONTROL BOX IS IN THE OFF POSITION AND LOCKED OUT, OR THAT THE POWER SUPPLY TO THE CONTROL BOX HAS BEEN OTHERWISE CUT OFF AND LOCKED OUT, BEFORE CONNECTING POWER OR ACCESSORY CABLES.

The standard pump is provided with a 50 foot (15,2 meter) power cable (see table 4 for power cable specifications). If a longer cable is required, an optional cable assembly **must** be ordered from the factory. Splicing of the power cable is **not** recommended by the Gorman-Rupp Company due to safety and warranty considerations.



NEVER ATTEMPT TO ALTER THE LENGTH OR REPAIR ANY POWER CABLE WITH A SPLICE. THE PUMP MOTOR AND CABLE MUST BE COMPLETELY WATERPROOF. INJURY OR DEATH MAY RESULT FROM ALTERATIONS.

When necessary to change or connect the pump power cable to the control box, make certain the incoming power is **OFF** and **LOCKED OUT**. Make certain the control box is **PROPERLY GROUNDED** and that the electrical data on the control matches the motor name plate data.

Connect the pump power cable to the control box as shown in the wiring diagrams in this section. Use conduit or cable clamps to secure the power and accessory cables to the control box. Make certain that all connections are tight and that cable entry points are rainproof.

NOTE

The power cable furnished with this pump includes three electrical conductors (white, red, and black), one grounding conductor (green) and one ground check conductor (yellow). The yellow ground check lead is used in conjunction with customer-supplied ground monitoring equipment. If this equipment is not used, the yellow lead should be used as a ground conductor.

Control Box Specifications

The circuit breakers within the control box are mag-

netic trip only, set to trip at approximately 9 to 11 times the full load current (FLA). If the breaker trips on motor starting, turn the adjustment knob to the next higher position; however, this setting **must not** exceed 13 times the full load current.



AFTER BEING PLACED IN SERVICE, THE TRIPPING OF THE INSTANTANEOUS TRIP CIRCUIT BREAKER IS AN INDICATION THAT A FAULT CURRENT HAS BEEN INTERRUPTED. CURRENT CARRYING COMPONENT PARTS OF THE MAGNETIC MOTOR CONTROLLER SHOULD BE EXAMINED AND REPLACED IF DAMAGED TO PROVIDE CONTINUED PROTECTION AGAINST FIRE OR SHOCK HAZARD. IF BURNOUT OF THE HEATER COIL OF THE OVERLOAD RELAY OCCURS, THE COMPLETE OVERLOAD RELAY MUST BE REPLACED.

After replacing heater coils, press the reset button to set the relay. Allow 10 seconds for the relay to cool after tripping before pressing the reset. Increasing heater coil size **is not** recommended. **Do not** mount heater coils between terminal ends having turned up edges, as this will damage the coil.

Table 5. Control Box Specifications

NEMA SIZE	CONTROL P/N		VOLTAGE	HERTZ	CONTINUOUS CURRENT RATING	REFERENCE DATA			CONTROL TRANSFORMER C-H PART NO.	OPTIONAL LIQUID LEVEL CONTROL RELAY
	G-R PART NO.	C.H. CAT. NO.				HEATER PACK	HEATER SETTING *	RANGE (AMPS)		
3	27515-525	AN801KRY5-2	460	60	90 Amps	27521-211	A	62.2/84.6	C340DG1	27521-321
3	27515-535	AN801KRY6-3	575	60	90 Amps	27515-210	A+3/4	45.7/62.1	C340DD1	27521-321

* Maximum setting **must not** exceed 13 times Full Load Amps

LIQUID LEVEL DEVICES

The standard pump is **not** furnished with a means to automatically regulate liquid level. However, the pump may be controlled to perform filling or dewatering functions by using **either** of the following optional sensing devices (see Figure 5):

- **Diaphragm Type:** two fixed-position sensors (upper and lower) each contain a diaphragm which flexes with changes in liquid level, thus activating an enclosed miniature switch.
- **Bulb (Float) Type:** a bulb raises or lowers (floats) with the liquid level, thus activating an enclosed miniature switch.

For added safety, the sensing devices operate through low voltage (24 volts) circuitry which is specially designed to fit into the main pump control (see the parts list in Section E for part numbers).

The circuitry may be prewired as a factory option, or easily added in the field by qualified personnel. The unit is complete except for the remote float switches, and is available for both 460 and 575 volt applications. For installation and operation, see the detailed instructions included with the optional package.



LIQUID LEVEL DEVICES MUST BE POSITIONED FAR ENOUGH APART TO ALLOW 10 MINUTES BETWEEN STARTS. IF THE PUMP MOTOR CYCLES MORE THAN 6 STARTS PER HOUR, IT WILL OVERHEAT, RESULTING IN DAMAGE TO THE MOTOR WINDINGS OR CONTROL BOX COMPONENTS.

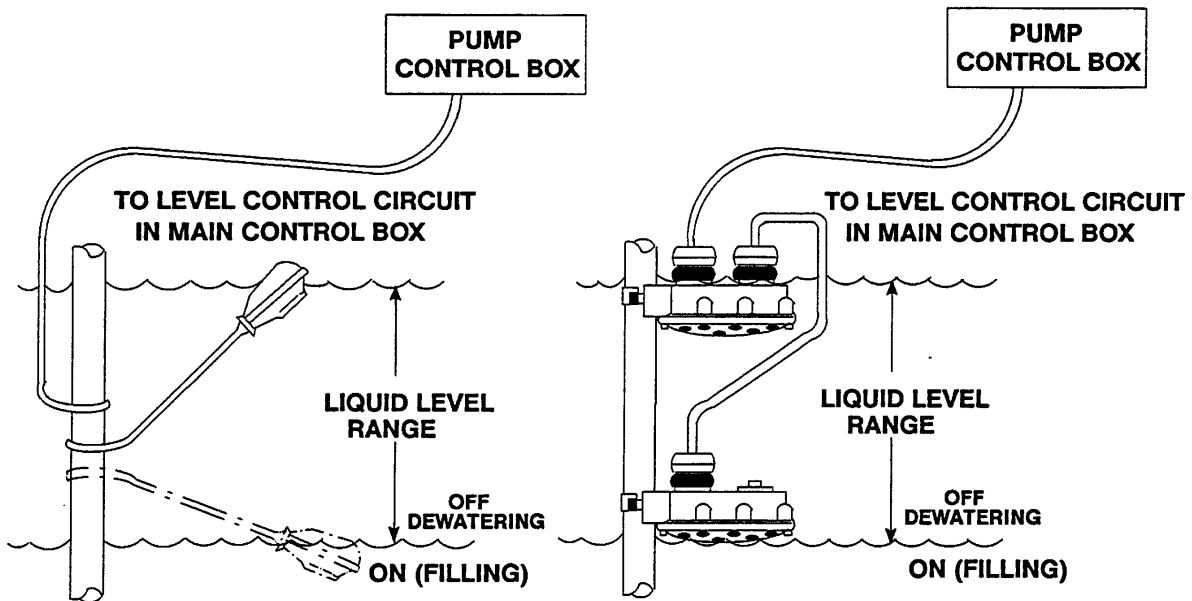


Figure 5. Liquid Level Devices

WIRING DIAGRAMS



THE INTERNAL WIRING OF THE SENSING DEVICES ARE DIFFERENT FOR FILLING AND DEWATERING FUNCTIONS. BE SURE TO FOLLOW THE INSTRUCTIONS INCLUDED WITH THE OPTION BEFORE MAKING WIRING CONNECTIONS.

Consult the following elementary and pictorial wiring diagrams for the standard and optional control boxes, for both 460 and 575 volt applications.

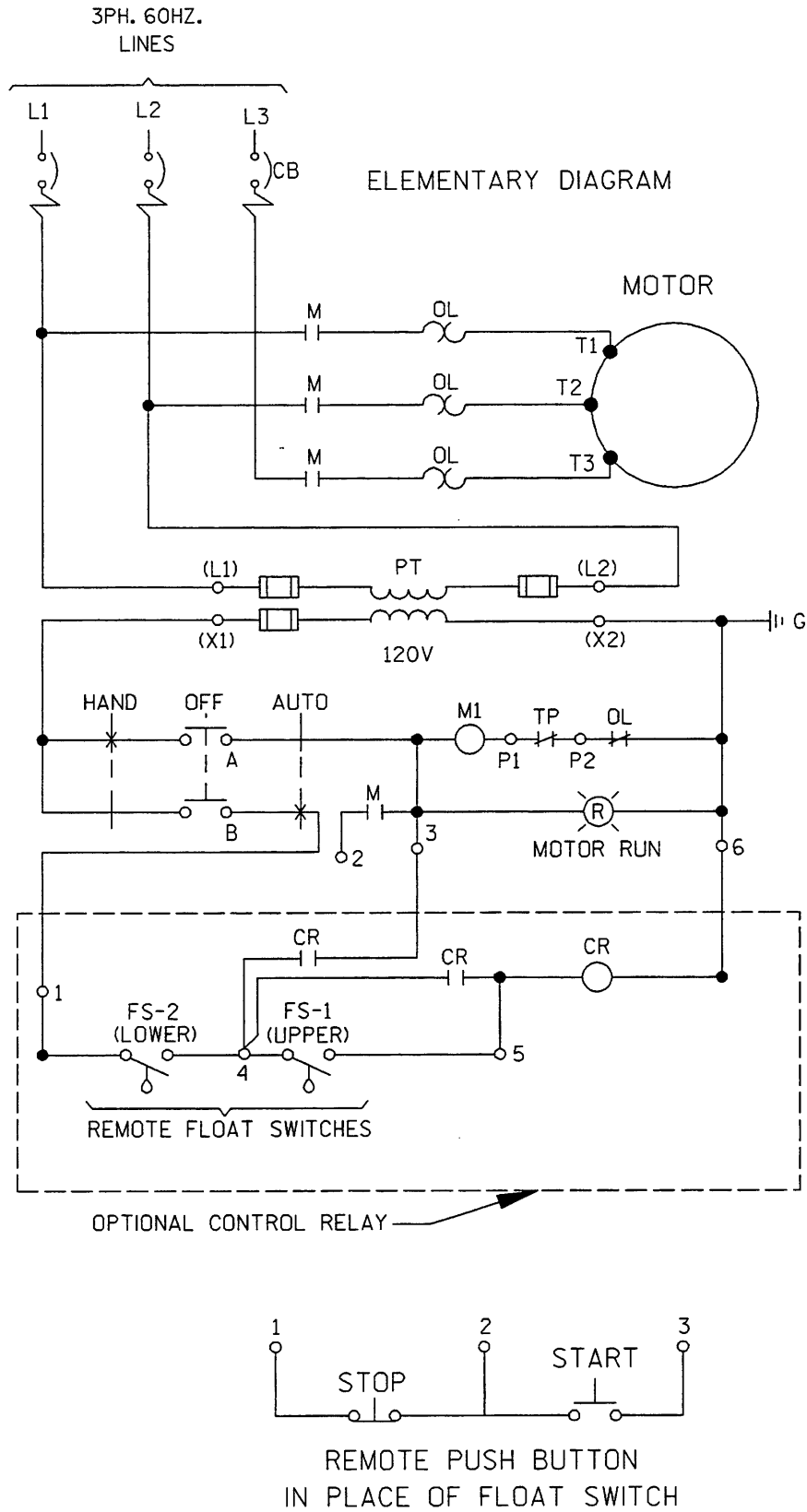


Figure 6. Elementary Diagram - 27515-525 (460V) and 27515-535 (575V)
(With Optional Liquid Level Controls Available)

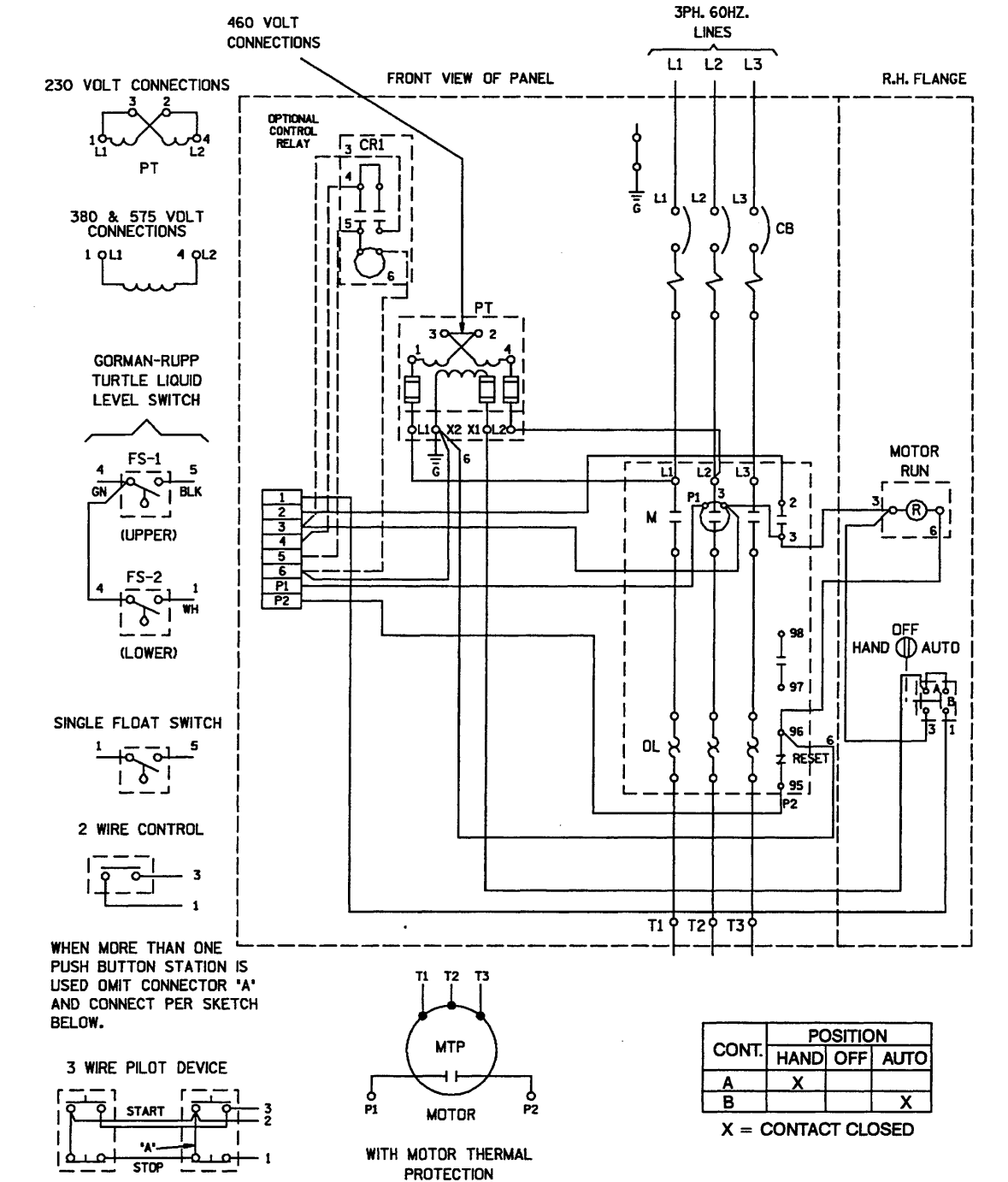


Figure 7. Pictorial Diagram - 27515-525 (460V) and 27515-535 (575V)
(With Optional Liquid Level Controls Available)

NEMA SIZE	CONTROL P/N		VOLTAGE	HERTZ	CONTINUOUS CURRENT RATING	REFERENCE DATA			CONTROL TRANSFORMER C-H PART NO.	OPTIONAL LIQUID LEVEL CONTROL RELAY
	G-R PART NO.	C.H. CAT. NO.				HEATER PACK	HEATER SETTING	RANGE (AMPS)		
3	27515-525	AN801KRY5-2	460	60	90 Amps	27521-211	A	62.2/84.6	C340DG1	27521-321
3	27515-535	AN801KRY6-3	575	60	90 Amps	27515-210	A+3/4	45.7/62.1	C340DD1	27521-321

REPAIR PARTS LIST
27515-525 (460V) AND 27515-535 (575V) CONTROL BOXES

(Unless Otherwise Specified, Components Identified By Cutler Hammer Part Numbers)

ITEM NO.	PART NAME	PART NUMBER	QTY
1	CIRCUIT BREAKER - 100 AMPS	C370HMCP3	1
2	MOTOR STARTER	AN16KNOA	1
3	CONTACTOR - 3 POLE	CN15KN3A	1
4	RENEWAL CONTACT SET	6-43-2	1
5	COIL	9-2756-1	1
6	OVERLOAD RELAY	10-6530	1
7	460V HEATER PACK (G-R PART NUMBER)	27521-211	1
	575V HEATER PACK (G-R PART NUMBER)	27521-210	1
8	CONTROL TRANSFORMER (460V)	C340DG1	1
	CONTROL TRANSFORMER (575V)	C340DD1	1
9	"MOTOR RUN" PILOT LIGHT	10250T34R	1
10	"MOTOR RUN" LEGEND PLATE	10250TM81	1
11	TERMINAL BLOCK	80-5817	2
12	H-O-A SELECTOR SWITCH	10250T21KB	1
13	"HAND-OFF-AUTO" LEGEND PLATE	10250TM51	1

OPERATION – SECTION C

Review all warnings in Section A.

Follow the instructions on all tags, labels and decals attached to the pump and control box.

CONTROL BOX FUNCTION

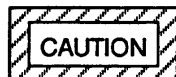


THIS PUMP MOTOR AND CONTROL BOX ARE NOT DESIGNED TO BE EXPLOSION-PROOF. DO NOT OPERATE IN AN EXPLOSIVE ATMOSPHERE.

A control box is provided to facilitate operation of the pump. It contains controls for starting and stopping the pump, and provides overload protection for the pump motor.



THE PUMP IS DESIGNED TO BE OPERATED THROUGH THE CONTROL BOX FURNISHED WITH THE PUMP. THE CONTROL BOX PROVIDES OVERLOAD PROTECTION AND POWER CONTROL. DO NOT CONNECT THE PUMP MOTOR DIRECTLY TO THE INCOMING POWER LINES.



SINCE OPERATION OF THE PUMP MOTOR IS DEPENDENT UPON THE QUALITY AND PERFORMANCE OF THE ELECTRICAL CONTROLS, THE PUMP WARRANTY IS VALID ONLY WHEN CONTROLS HAVE BEEN SPECIFIED OR PROVIDED BY THE GORMAN-RUPP COMPANY.

Component Function

The control box contains the following hand-operated switches and controls:

- The **control handle** operates the control box circuit breakers. In the OFF position, the control handle opens the circuit breakers to interrupt incoming power through the control box and prevent pump operation. In the ON position, it closes the circuit breakers to permit pump operation. The circuit breakers will open or “trip” automatically in the event of a short circuit overload current, or thermal excess within the pump motor or electrical system. When tripped, move the control handle to OFF and back to ON to reset the circuit breakers.
- The **selector switch** (optional on some boxes) controls the mode of operation. In the OFF position, it prevents all operation of the pump. In the HAND position, it allows the pump to run continuously. In the AUTO position, it allows the pump to be controlled automatically by the optional liquid level control system, if used.
- The **reset pushbutton** resets the motor overload relay after it has been “tripped” by an overload. The overload relay will trip automatically if the current drawn by the motor exceeds design specifications. (Do not confuse the function of the overload relay with that of the thermal overload protector within the motor. The reset pushbutton has no effect in restarting the pump after it has been shut down by the thermal overload protector within the pump motor.)

NOTE

*If the circuit breaker trips, do not reset it immediately. Wait at least ten minutes before resetting the control handle back to the ON position. If the overload unit continues to trip, operational problems exist. See **TROUBLESHOOTING**.*

- The **liquid level devices** (optional equipment) operate in conjunction with the 3-position switch (HAND-OFF-AUTO) supplied as part of that option. After the level sensors and circuitry have been installed, pump operation may be automatically controlled for filling or

dewatering functions (see **LIQUID LEVEL DEVICES**, Section B).



PUMP OPERATION



THIS PUMP IS **NOT** DESIGNED TO PUMP VOLATILE, EXPLOSIVE, OR FLAMMABLE MATERIALS. REFER TO THE CHART IN INSTALLATION, SECTION B FOR THE BASIC MATERIALS OF CONSTRUCTION FOR EACH PUMP COVERED IN THIS MANUAL. **DO NOT** ATTEMPT TO PUMP ANY LIQUIDS FOR WHICH YOUR PUMP IS NOT APPROVED, OR WHICH MAY DAMAGE THE PUMP OR ENDANGER PERSONNEL AS A RESULT OF PUMP FAILURE. CONSULT THE FACTORY FOR SPECIFIC APPLICATION DATA.

Liquid Temperature And Overheating

The maximum liquid temperature for this pump is 120° F (49° C). Do not apply the pump at higher operating temperatures.

Overheating can occur if the pump is misapplied, required to start repeatedly, or if the temperature of the liquid being pumped exceeds 120° F (49° C). Operating the pump against a closed discharge for an extended period of time will also cause the pump to overheat.

As a safeguard against rupture or explosion due to heat, this pump is equipped with a thermal overload protector which automatically shuts the motor down when the operating temperature exceeds design limits. After the motor cools down, **it will automatically restart**. Always terminate power to the pump and control box before investigating pump or control box problems.



THE PUMP MOTOR IS THERMALLY PROTECTED AND SUBJECT TO AUTOMATIC RESTART. ALWAYS TERMINATE POWER TO THE PUMP AND CONTROL BOX BEFORE PERFORMING SERVICE FUNCTIONS.

APPROACH THE PUMP CAUTIOUSLY AFTER IT HAS BEEN RUNNING. ALTHOUGH THE MOTOR IS COOLED BY THE LIQUID BEING PUMPED, NORMAL OPERATING TEMPERATURES CAN BE HIGH ENOUGH TO CAUSE BURNS. THE TEMPERATURE WILL BE ESPECIALLY HIGH IF OPERATED AGAINST A CLOSED DISCHARGE VALVE. NEVER OPERATE AGAINST A CLOSED DISCHARGE VALVE FOR LONG PERIODS OF TIME.

If overheating does occur, stop the pump immediately and allow it to cool before servicing it. Approach any overheated pump cautiously.



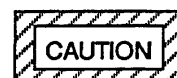
OVERHEATED PUMPS CAN CAUSE SEVERE BURNS AND INJURIES. IF OVERHEATING OF THE PUMP OCCURS:

1. STOP THE PUMP IMMEDIATELY.
2. VENTILATE THE AREA.
3. ALLOW THE PUMP TO COOL.
4. CHECK THE TEMPERATURE BEFORE SERVICING.
5. VENT THE PUMP SLOWLY AND CAUTIOUSLY.
6. REFER TO INSTRUCTIONS IN THIS MANUAL BEFORE RESTARTING THE PUMP.

Checking Pump Rotation

Check the direction of pump rotation before operation to ensure that the impeller is rotating in the correct direction.

Suspend the pump from the lifting device fitted on the pump. Turn the pump on momentarily and note the direction of twist. For correct rotation and operation, the twist must be in a **counterclockwise** direction when viewed from the **top** (see Figure 1).



SECURE THE PUMP DURING ROTATION TO PREVENT COILING OF THE POWER CABLE.

If the pump twists clockwise on start, interchange any two motor leads at the control box.



THE ELECTRICAL POWER USED TO OPERATE THIS PUMP IS HIGH ENOUGH TO CAUSE INJURY OR DEATH. MAKE CERTAIN THAT INCOMING POWER IS OFF AND LOCKED OUT BEFORE INTERCHANGING MOTOR LEADS.

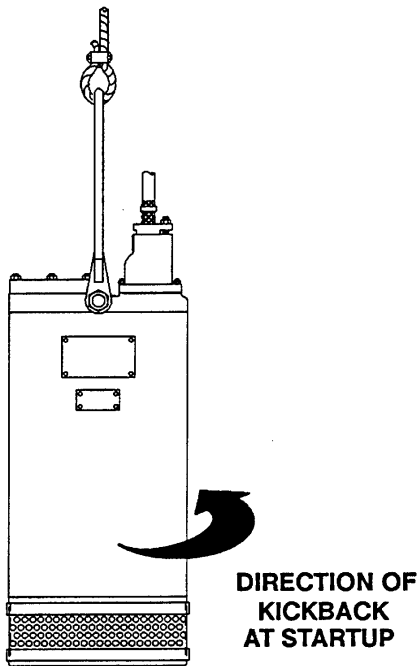


Figure 1. Checking Pump Rotation

STARTING

After the pump and control box have been installed, start the pump as follows.

NOTE

*Before actual operation, check the direction of impeller rotation to ensure that the pump is properly wired. See **Checking Pump Rotation** in this section.*



NEVER START THE PUMP MORE THAN 6 TIMES PER HOUR. IF THE PUMP MOTOR DOES NOT COOL BETWEEN STARTS, IT WILL OVER-HEAT, RESULTING IN DAMAGE TO THE MOTOR WINDINGS OR CONTROL BOX COMPONENTS.

Standard Pump (No Liquid Level Devices)

If no liquid level devices have been installed, move the control handle to the ON position and turn the selector switch to HAND. The pump motor will start the pumping should begin.

The pump will continue to operate until it is stopped by turning the selector switch to OFF.

With Automatic Liquid Level Devices

If optional liquid level devices have been installed, move the 3-position selector switch to OFF, and the control handle to ON.

If desired to operate in the manual mode, set the selector switch to HAND; the pump will continue to run until the switch is returned to OFF or reset to AUTO.

If desired to operate the pump in the automatic mode, set the selector switch to AUTO; pump operation will be maintained by the optional liquid level control system. To terminate automatic mode, move the selector switch to OFF or HAND.

STOPPING

As a safeguard against rupture or explosion due to heat, this pump is equipped with a thermal overload protector which automatically shuts the motor down when the operating temperature exceeds design limits. After the motor cools down, **it will automatically restart**. Always terminate power to the pump and control box before investigating pump or control box problems.



THE PUMP MOTOR IS THERMALLY PROTECTED AND SUBJECT TO AUTOMATIC RESTART. ALWAYS TERMINATE POWER TO THE PUMP AND CONTROL BOX BEFORE PERFORMING SERVICE FUNCTIONS.

To stop the pump, turn the control handle OFF, thereby opening the circuit breaker. This **does not** terminate incoming power through the field wiring connected to the control box.

After stopping the pump, be sure to perform all required maintenance and preservation procedures.

NOTE

It is recommended that a check valve or throttling valve be installed in the discharge line if there is any possibility of siphoning or back flow when the pump is shut off.

Operational Checks

Check the pump for proper operation when it is first started and periodically thereafter to identify minor problems.

Check the pump for unusual noises or excessive vibration while it is operating. If noise or vibration is excessive, stop the pump and refer to the troubleshooting chart for possible causes.

Check the pump strainer screen for clogging caused by stones, sticks, or other debris. Clean the strainer screen when required. In some cases, stopping the pump momentarily may back flush the strainer screen, purging most of the debris from it. If this fails to clean the screen, remove the pump from the sump

and remove the debris manually (see **PUMP END DISASSEMBLY** in Section E).

Never introduce air or steam pressure into the pump casing or piping to remove a blockage. This could result in personal injury or damage to the equipment. If backflushing is absolutely necessary, **liquid pressure** must be limited to 50% of the maximum permissible operating pressure shown on the pump performance curve (see **MAINTENANCE AND REPAIR**, Section E).

Check the pump for overheating. The pump could overheat if operated against a closed discharge valve, or if subjected to repeated start cycles.

Cold Weather Preservation

In freezing temperatures, the pump will not freeze as long as it is submerged in liquid. If the pump casing is not submerged, or if the liquid begins to freeze, remove the pump from the sump or wet well and allow it to dry thoroughly. Run the pump for two or three minutes to dry the inner walls.

If the pump freezes, move it into a warm area until completely thawed, or submerge it into the liquid. If the liquid is near freezing, the pump must be submerged for an extended period of time. Start the pump and check for shaft rotation. If still frozen, allow additional thawing time before attempting to restart.

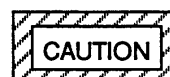


DO NOT ATTEMPT TO THAW THE PUMP BY USING A TORCH OR OTHER SOURCE OF FLAME. THIS COULD DAMAGE GASKETS OR HEAT THE OIL WITHIN THE PUMP ABOVE THE CRITICAL POINT AND CAUSE THE PUMP TO RUPTURE OR EXPLODE.

TROUBLE	POSSIBLE CAUSE	PROBABLE REMEDY
OVERLOAD UNIT TRIPS	<p>Low or high voltage, or excessive voltage drop between pump and control box.</p> <p>Defective insulation in motor windings or power cable; defective windings.</p> <p>Impeller jammed due to debris or insufficient clearance.</p> <p>Bearing(s) frozen.</p>	<p>Measure voltage at control box. Check that wiring is correct type, size, and length. (See Field Wiring Connections, Section B).</p> <p>Check insulation resistance; check continuity.</p> <p>Disassemble pump and check impeller.</p> <p>Disassemble pump and check bearing(s).</p>
MOTOR RUNS, BUT PUMP FAILS TO DELIVER RATED DISCHARGE	<p>Discharge head too high.</p> <p>Low or incorrect voltage.</p> <p>Discharge throttling valve partially closed; check valve is installed improperly.</p> <p>Discharge line clogged or restricted; hose kinked.</p> <p>Liquid being pumped too thick.</p> <p>Strainer screen or impeller clogged.</p> <p>Insufficient liquid in sump or tank.</p> <p>Worn impeller vanes; excessive impeller clearance.</p> <p>Pump running backwards.</p>	<p>Reduce discharge head, or install staging adaptor and additional pump.</p> <p>Measure control box voltage, both when pump is running and when shut-off.</p> <p>Open discharge valve fully; check piping installation.</p> <p>Check discharge lines; straighten hose.</p> <p>Dilute liquid by heating if possible.</p> <p>Clear clog(s). Stop pump; back flow may flush away debris.</p> <p>Stop pump until liquid level rises.</p> <p>Check impeller and clearance. See PUMP END REASSEMBLY.</p> <p>Check direction of rotation and correct by interchanging any two motor leads at control box. (See Pump Rotation, Section C).</p>
PUMP RUNS WITH EXCESSIVE NOISE OR VIBRATION	<p>Pumping entrained air.</p> <p>Damaged or unbalanced impeller.</p> <p>Discharge piping not properly supported.</p>	<p>Check liquid level in sump; check position of pump and liquid level sensing device(s).</p> <p>Replace impeller.</p> <p>Check piping installation.</p>

TROUBLE	POSSIBLE CAUSE	PROBABLE REMEDY
PUMP RUNS WITH EXCESSIVE NOISE OR VIBRATION (CONT'D.)	Impeller jammed or loose. Motor shaft or bearings defective. Pump cavitation.	Check impeller. Disassemble pump and check motor and bearings. Reduce discharge head, or restrict flow on low head applications.

ELECTRICAL TESTING



If you suspect that pump malfunctions are caused by defects in the motor, power cable or control box, perform the following checks to help isolate the defective part.

BE CERTAIN TO REFER TO THE WIRING DIAGRAM(S) IN THE INSTALLATION SECTION OF THIS MANUAL BEFORE RECONNECTING ANY ELECTRICAL COMPONENTS WHICH HAVE BEEN DISCONNECTED.



OBTAIN THE SERVICES OF A QUALIFIED ELECTRICIAN TO TROUBLESHOOT, TEST AND/OR SERVICE THE ELECTRICAL COMPONENTS OF THIS PUMP.

Test Equipment

A volt/amp/ohmmeter and megohmmeter of adequate range and quality will be required to conduct the following electrical tests. The suggested equipment indicated below is commercially available, or an equivalent substitute may be used.

Equipment	Manufacturer	Use
Amprobe Model 300 or Amprobe, Jr.	Pyramid Instrument Corp. Lynbrook, NY	To check AC Voltage and current (amperage)
Megohmer	Herman H. Sticht Co. 25 Bark Place New York, NY	To measure resistance (ohms) to ground

Voltage Imbalance

Each phase of the incoming three-phase power must be balanced with the other two as accurately as a commercial voltmeter will read. If the phases are balanced, check out the motor as described below. If the phases are out of balance, contact your power company and request that they correct the condition.

- a. Use a voltmeter, amprobe, or equivalent meter to read the voltage across terminals 1 & 2, 2 & 3, and 1 & 3 in the control box. All three

measured voltages must be the same, as accurately as the meter will read. If possible, measure the voltage with the pump off, with the pump running but out of the water, and with the pump running in the water at full load. All the measured voltages at each condition must be the same.

- b. Use an amprobe or equivalent meter to measure the current draw of each phase while the pump is running at full load and at no load. All three amperage readings must be the same at each condition, as accurately as the meter will read. Nominal amperage values are

listed in Table 1, but these apply only when the actual voltage at the site is the nominal voltage listed.

- c. If the voltages are balanced with the pump off, but are unbalanced when the pump is running, a thorough check of the power source, all interconnecting cables, and the pump motor is required to isolate the defect.

Motor And Motor Power Cable Continuity

To check continuity, zero-balance the ohmmeter set at the RX1 scale, and test as follows:

- a. Disconnect the motor power cable leads from the control box and connect the test leads to any two of the three power cable leads (not to the green ground lead). If there is a high resistance reading on the ohmmeter, there is an open or broken circuit cause a break in the power cable or motor windings, or by a bad connection between the motor and the power cable. Switch one test lead to the third power lead, and test again.
- b. If an open or broken circuit is indicated, check the power cable for obvious damage, and replace as necessary (see **MAINTENANCE AND REPAIR**). If there is no apparent damage to the motor cable, remove the terminal housing (see **MAINTENANCE AND REPAIR**) and check the continuity of each power cable lead at the terminal posts.

NOTE

When shipped from the factory, the connections between the power cable leads and the terminal posts were encapsulated in heat shrink tubing and bonded to the terminal plate to provide a water tight seal. In service, these connections may have been potted by the pump operator. Do not cut the tubing or potting away unless absolutely necessary. Check the continuity of each lead from the motor side of the terminal plate. If the continuity is good, there is no need to remove the tubing or potting material. If there is no continuity through the lead, remove the tubing or potting from only that terminal, and check for a loose connection. Be sure to replace the tubing or potting and allow adequate drying time before

*putting the pump back into service. (See **Power Cable Reassembly, Section E**).*

- c. If an open circuit still exists after each lead (terminal) has been tested and tightened, then the **entire** motor power cable must be replaced. Splicing or other means of repair are not recommended.
- d. If no break is found in the power cable, check the motor leads for continuity. If the test reading indicates an open or broken circuit, there is an open circuit in the motor.

NOTE

It is recommended that a pump with a defective motor be returned to Gorman-Rupp, or to one of the Gorman-Rupp authorized Submersible Repair Centers.

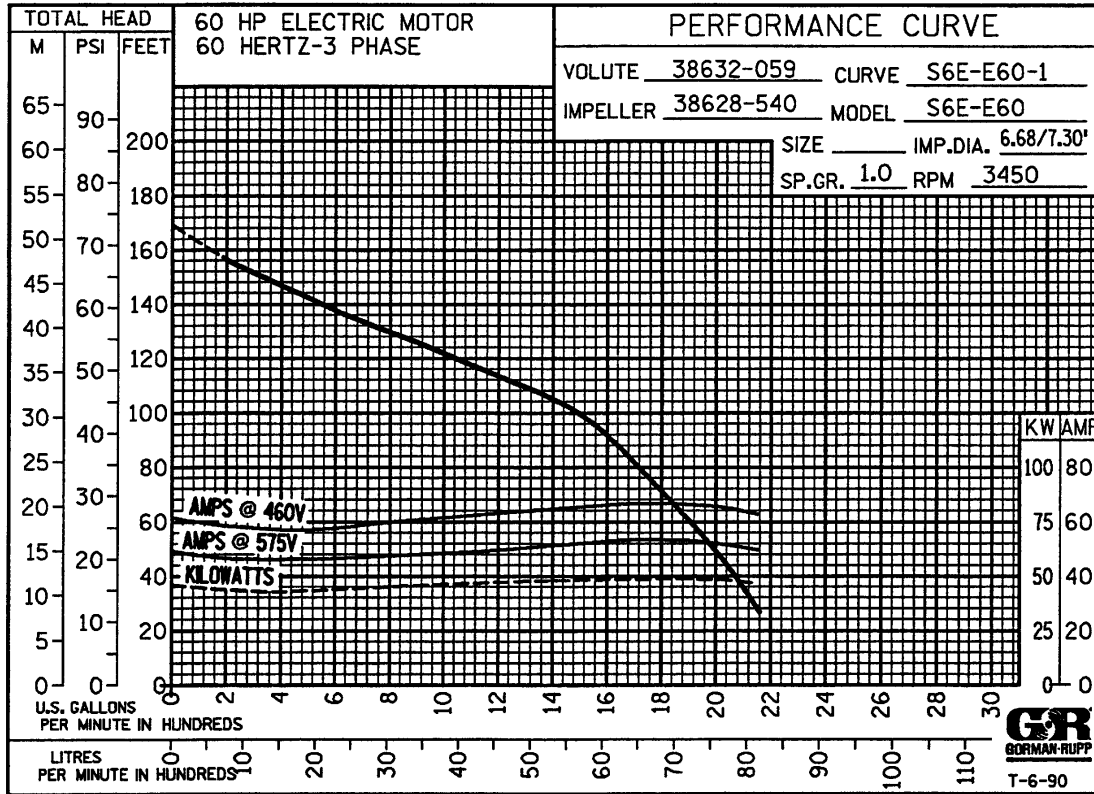
Insulation Resistance

To check insulation, zero-balance the ohmmeter set at the RX100K scale, and test as follows:

- a. Disconnect the motor power cable leads from the control box. Connect one test lead to the power cable green ground lead, and touch the other test lead to each of the three power leads in turn.
- b. The reading obtained will indicate resistance values in both the power cable and the motor windings. If the resistance reading is infinity (∞), the insulation is in good condition. If the reading is between infinity (∞) and 1 megohm, the insulation is acceptable but should be rechecked periodically. If the reading is less than 1 megohm, the insulation should be checked more closely; a reading of zero indicates that the power cable or the motor is grounded.
- c. To determine whether the power cable or the motor is grounded, remove the terminal housing (see **MAINTENANCE AND REPAIR**), disconnect the motor leads from the motor terminals, and test the power cable leads and motor leads separately.

PUMP MAINTENANCE AND REPAIR - SECTION E

MAINTENANCE AND REPAIR OF THE WEARING PARTS OF THE PUMP WILL MAINTAIN PEAK OPERATING PERFORMANCE.



*** STANDARD PERFORMANCE FOR PUMP MODELS
S6E1 - E60 460 3P AND S6E1 - E60 575 3P**

* Based on 70° F (21° C) clear water at sea level. Since pump installations are seldom identical, your performance may be difference due to such factors as viscosity, specific gravity, elevation, temperature, and impeller trim.

If your pump serial number is followed by an "N", your pump is **NOT** a standard production model. Contact the Gorman-Rupp Company to verify performance or part numbers.

SECTION DRAWING

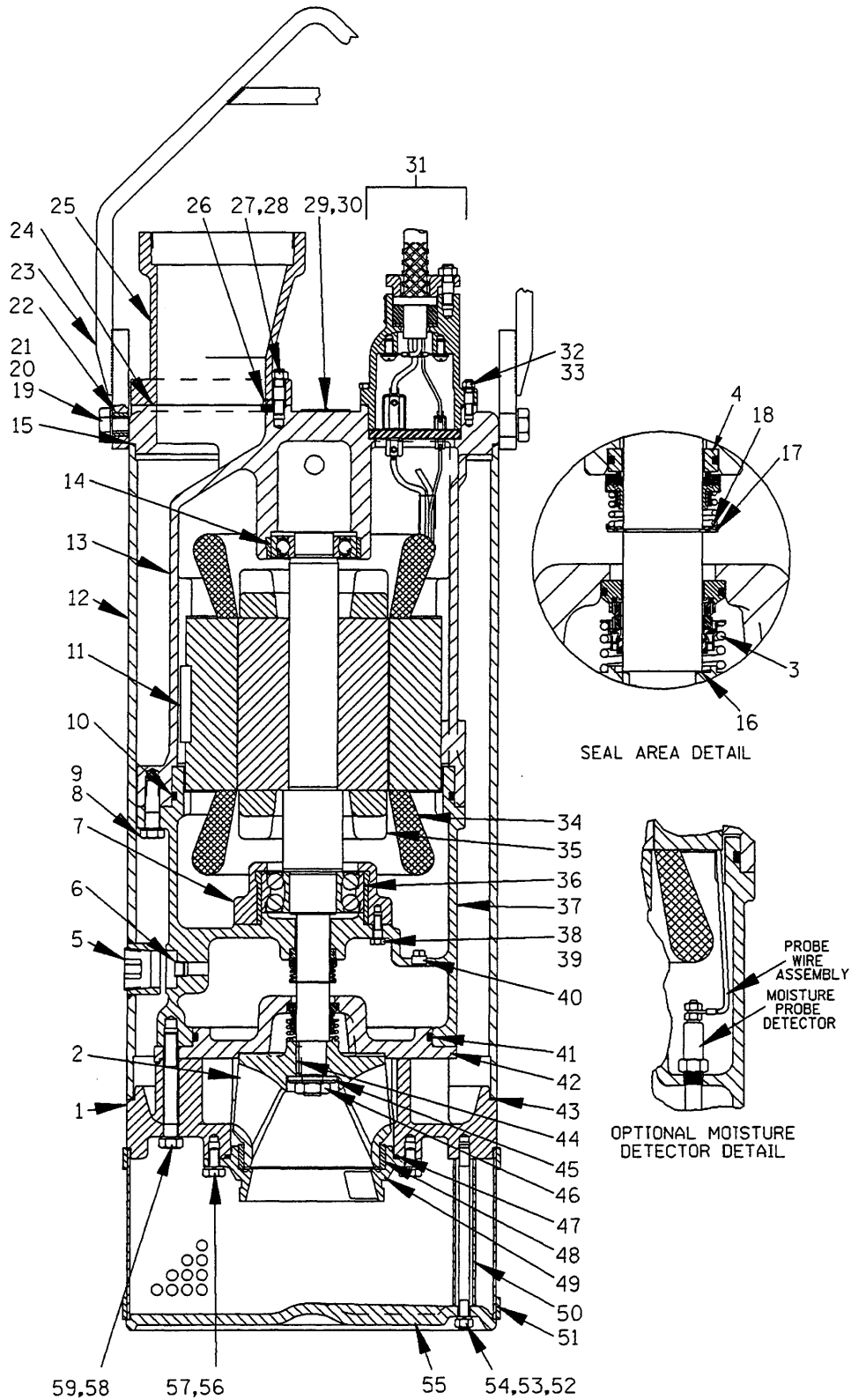


Figure 1. Pump Models S6E1-E60 460/3 & S6E1-E60 575/3

SECTION DRAWING

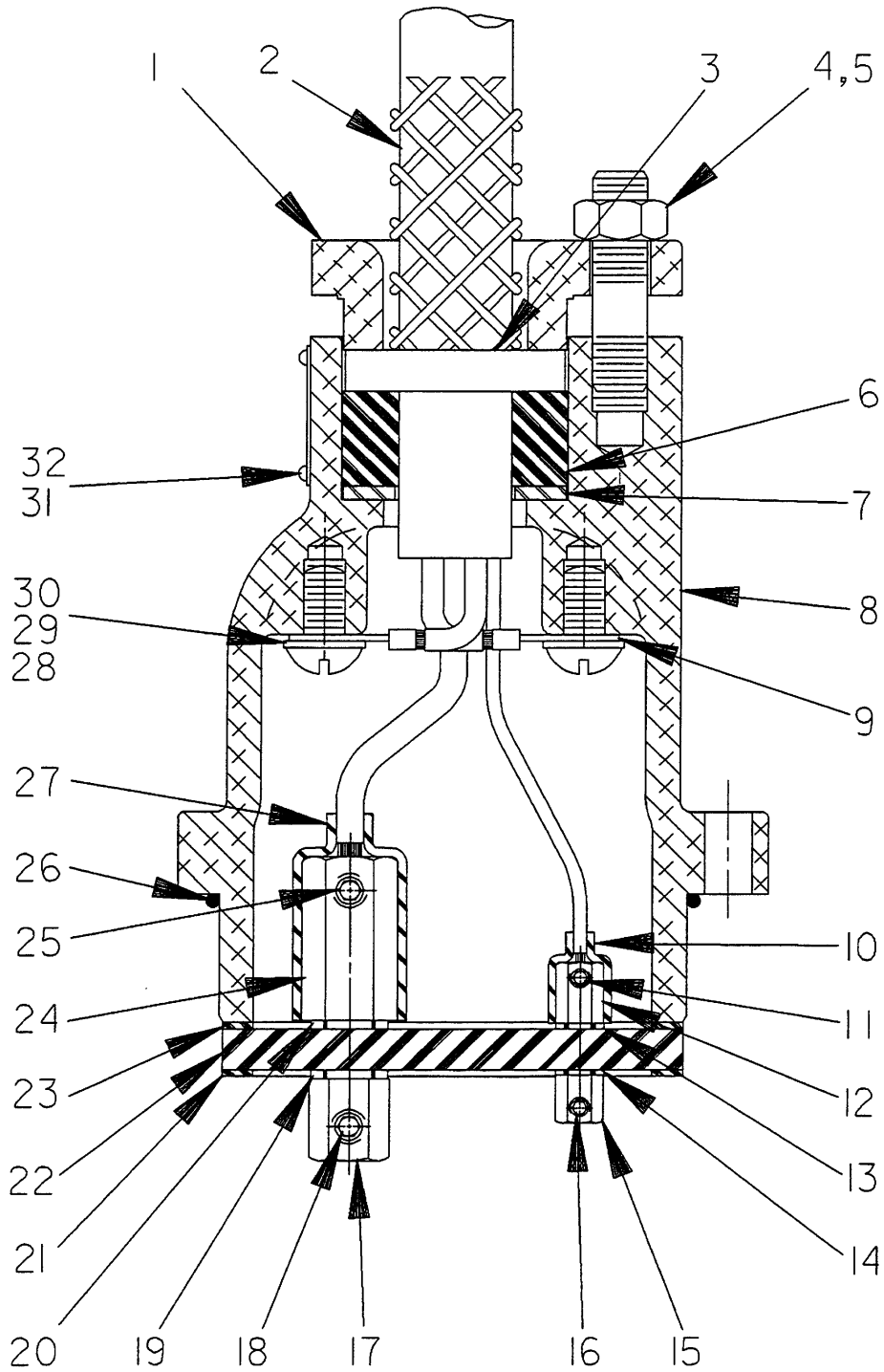


Figure 2. 47367-079 Standard Terminal Housing And Cable Assembly

PARTS LIST
47367-079 Standard Terminal Housing And Cable Assembly

ITEM NO.	PART NAME	PART NUMBER	MAT'L CODE	QTY
1	TERMINAL GLAND	38381-614	13040	1
2	* POWER CABLE	47325-006	-----	1
3	CABLE GRIP	11227K	-----	1
4	STUD	C0808	15991	2
5	HEX NUT	D08	15991	2
6	* GLAND BUSHING	31143-067	19100	1
7	TERMINAL WASHER	31133-122	15991	1
8	TERMINAL HOUSING	38381-237	13000	1
9	TERMINAL	27214-035	-----	1
10	HEAT SHRINK TUBE	31412-056	19530	2
11	ALLEN HEAD SETSCREW	GA#10-01S	15991	2
12	TERMINAL COLLAR	31811-057	14100	2
13	* UPPER DYNA SEAL WASHER	S1590	-----	2
14	* LOWER DYNA SEAL WASHER	S1590	-----	2
15	TERMINAL POST	11181	14100	2
16	ALLEN HEAD SETSCREW	GA#10-01S	15991	2
17	TERMINAL POST	38724-009	14100	3
18	ALLEN HEAD SETSCREW	GA0501-1/2	14990	3
19	* LOWER DYNA SEAL WASHER	S1586	-----	3
20	* UPPER DYNA SEAL WASHER	S1586	-----	3
21	* LOWER TERMINAL PLATE GASKET	38687-529	20000	1
22	TERMINAL PLATE	38711-001	23010	1
23	* UPPER TERMINAL PLATE GASKET	38687-529	20000	1
24	TERMINAL COLLAR	10144	14100	3
25	ALLEN HEAD SETSCREW	GA0501-1/2	14990	3
26	* O-RING	25152-155	-----	1
27	HEAT SHRINK TUBE	31413-014	19530	3
28	TERMINAL	S1550	-----	1
29	RD HD MACH SCREW	X0603	14990	2
30	T TYPE LOCKWASHER	AK06	15991	2
31	DRIVE SCREW	BM#04-03	17000	4
32	INFORMATION PLATE	38816-145	17050	1
NOT SHOWN:				
	1 OZ. HOT MELT ADHESIVE STICK	18661-045	-----	2
OPTIONAL:				
	HEAT SHRINK TERM KIT	48315-010	-----	1

* INDICATES PARTS RECOMMENDED FOR STOCK

SECTION DRAWING

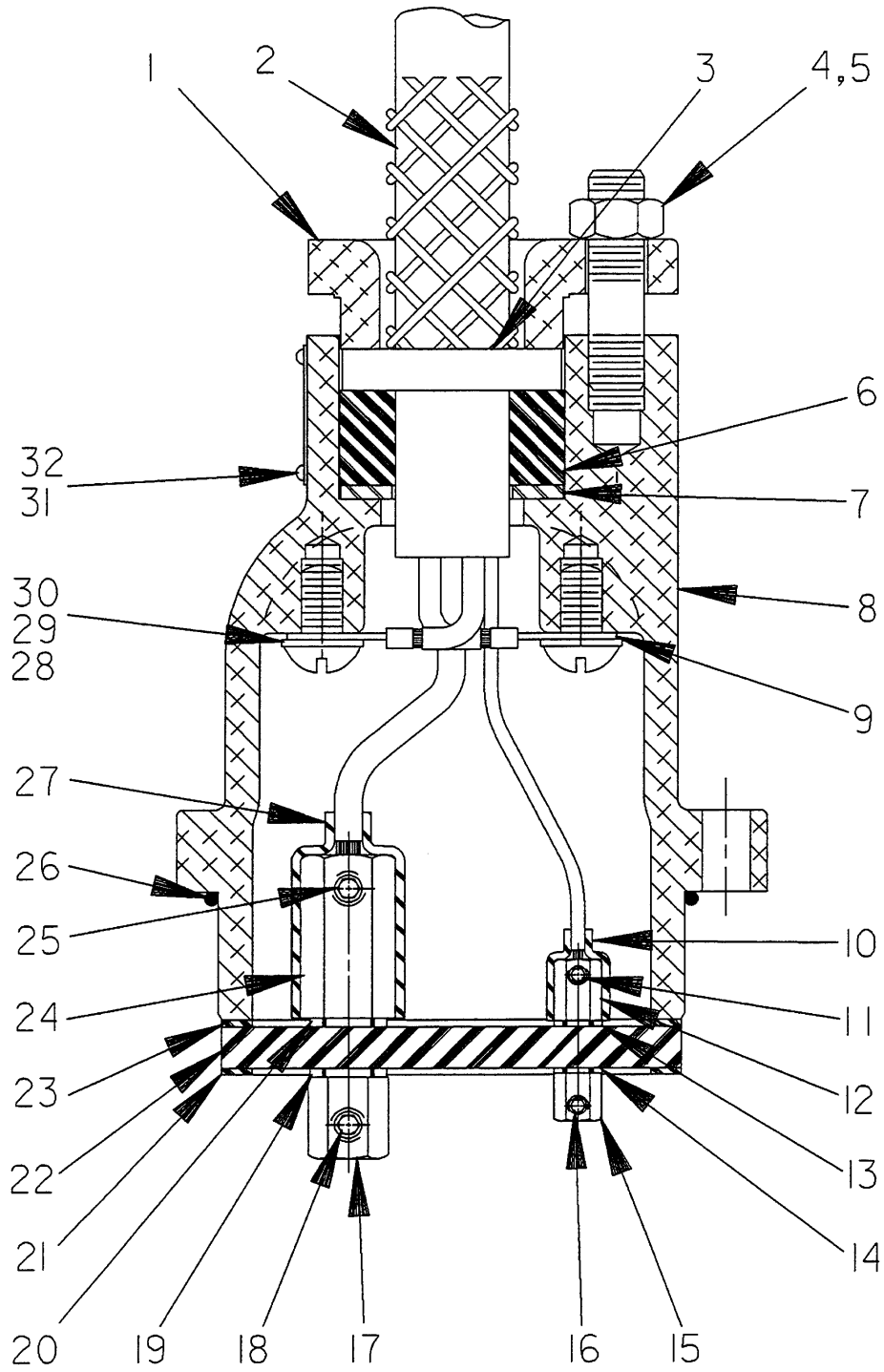


Figure 3. 47367-080 Optional Terminal Housing And Cable Assembly

PARTS LIST
47367-080 Optional Terminal Housing And Cable Assembly

ITEM NO.	PART NAME	PART NUMBER	MAT'L CODE	QTY
1	TERMINAL GLAND	38381-614	13040	1
2	* POWER CABLE	47325-006	-----	1
3	CABLE GRIP	11227K	-----	1
4	STUD	C0808	15991	2
5	HEX NUT	D08	15991	2
6	* GLAND BUSHING	31143-067	19100	1
7	TERMINAL WASHER	31133-122	15991	1
8	TERMINAL HOUSING	38381-237	13000	1
9	TERMINAL	S1550	-----	1
10	HEAT SHRINK TUBE	31412-056	19530	3
11	ALLEN HEAD SETSCREW	GA#10-01S	15991	3
12	TERMINAL COLLAR	31811-057	14100	3
13	* UPPER DYNA SEAL WASHER	S1590	-----	3
14	* LOWER DYNA SEAL WASHER	S1590	-----	3
15	TERMINAL POST	11181	14100	3
16	ALLEN HEAD SETSCREW	GA#10-01S	15991	3
17	TERMINAL POST	38724-009	14100	3
18	ALLEN HEAD SETSCREW	GA0501-1/2	14990	3
19	* LOWER DYNA SEAL WASHER	S1586	-----	3
20	* UPPER DYNA SEAL WASHER	S1586	-----	3
21	* LOWER TERMINAL PLATE GASKET	38687-529	20000	1
22	TERMINAL PLATE	38711-005	23010	1
23	* UPPER TERMINAL PLATE GASKET	38687-529	20000	1
24	TERMINAL COLLAR	10144	14100	3
25	ALLEN HEAD SETSCREW	GA0501-1/2	14990	3
26	* O-RING	25152-155	-----	1
27	HEAT SHRINK TUBE	31413-014	19530	3
28	TERMINAL	S1550	-----	1
29	RD HD MACH SCREW	X0603	14990	2
30	T TYPE LOCKWASHER	AK06	15991	2
31	DRIVE SCREW	BM#04-03	17000	4
32	INFORMATION PLATE	38816-145	17050	1
NOT SHOWN:				
	1 OZ. HOT MELT ADHESIVE STICK	18661-045	-----	2
OPTIONAL:				
	HEAT SHRINK TERM KIT	48315-010	-----	1

* INDICATES PARTS RECOMMENDED FOR STOCK

PUMP AND SEAL DISASSEMBLY AND REASSEMBLY

Review all warnings in Section A.

Follow the instructions on all tags, label and decals attached to the pump.

The following maintenance and repair instructions are keyed to the Pump Model sectional view (Figure 1) and the Terminal Housing sectional views (Figures 2 and 3), and the accompanying parts lists.

Before attempting to service the pump or control, terminate the power supply to the control box. Close the discharge throttling valve, if so equipped.

The pump motor is equipped with a thermal overload protector which automatically shuts the motor down when the operating temperature exceeds design limits. After the motor cools down, it will automatically restart. Always terminate power to the pump and control box before investigating pump or control box problems.



THE PUMP MOTOR IS THERMALLY PROTECTED AND SUBJECT TO AUTOMATIC RESTART. ALWAYS TERMINATE POWER TO THE PUMP AND CONTROL BOX. BEFORE PERFORMING SERVICE FUNCTIONS.



THE ELECTRICAL POWER USED TO OPERATE THIS PUMP IS HIGH ENOUGH TO CAUSE INJURY OR DEATH. MAKE CERTAIN THAT THE CONTROL HANDLE ON THE CONTROL BOX IS IN THE OFF POSITION AND LOCKED OUT, OR THAT THE POWER SUPPLY TO THE CONTROL BOX HAS BEEN OTHERWISE CUT OFF AND LOCKED OUT, BEFORE ATTEMPTING TO OPEN OR SERVICE THE PUMP ASSEMBLY. TAG ELECTRICAL CIRCUITS TO PREVENT ACCIDENTAL START-UP.

Use the hoisting bail to remove the pump from the wet well or sump, and move it to a location where the discharge line can be removed. It is not necessary to disconnect a flexible discharge hose before removing the pump. If rigid discharge piping is used, disconnect the piping before attempting to move the pump.



DO NOT ATTEMPT TO LIFT THE PUMP BY THE MOTOR POWER CABLE OR THE PIPING. ATTACH PROPER LIFTING EQUIPMENT TO THE LIFTING DEVICE FITTED TO THE PUMP. IF CHAINS OR CABLE ARE WRAPPED AROUND THE PUMP TO LIFT IT, MAKE CERTAIN THAT THEY ARE POSITIONED SO AS NOT TO DAMAGE PUMP, AND SO THAT THE LOAD WILL BE BALANCED.

Select a suitable location, preferably indoors, to perform the degree of maintenance required. If the motor housing is to be opened, the work must be done in a clean, well-equipped shop. All maintenance functions must be done by qualified personnel.

Check the chart in **TROUBLESHOOTING**, Section D, to determine the nature of the pump problem. If the problem is mechanical in nature, such as worn pump parts, seal replacement, lubrication, etc., refer to **PUMP END DISASSEMBLY** for instructions.

If the problem is electrical, complete disassembly may not be required. Refer to **Electrical Testing** in **TROUBLESHOOTING**, Section D, and have a qualified electrician check the control box, cable and terminal housing. If the problem is determined to be in the motor, proceed with **PUMP END DISASSEMBLY**, followed by **MOTOR DISASSEMBLY**. Otherwise, see **Terminal Housing And Power Cable Disassembly**.

Carefully inspect any O-rings or gaskets before removal and cleaning to determine if a proper seal and compression existed prior to disassembly. If sealing was faulty or questionable, the cause must be determined and corrected before reassembly. All gaskets and most O-rings **must** be replaced if disturbed. Repair gaskets and O-rings are listed on the parts list.

PUMP END DISASSEMBLY

Strainer Removal

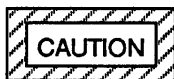
(Figure 1)

To remove the strainer (51), raise the pump slightly, or lay it on its side and disengage the strainer hardware (53 and 54). Remove the base plate (55), strainer and supports (50). If the impeller is clogged, the debris can usually be removed without further disassembly.

Draining Oil From Seal Cavity

(Figure 1)

If any further disassembly is to be performed on the pump, the seal oil cavity must be drained.



LET THE PUMP COOL BEFORE REMOVING THE SEAL CAVITY DRAIN PLUG. PRESSURE BUILT UP WITHIN A HOT PUMP COULD CAUSE THE OIL TO SPRAY OUT WHEN THE PLUG IS REMOVED. REMOVE THE PLUG SLOWLY AND PERMIT PRESSURE TO VENT TO ATMOSPHERE.

Lay the pump on its side with the pipe plug (5) facing up. Clean any dirt from around the plug, and remove it. Remove the seal cavity drain plug (6), and install a short 3/8-inch NPT nipple in the hole. Tip the pump and drain the seal oil into a **clean** container. Inspect the oil for water, dirt, or cloudy condition which could indicate lower seal failure or poor gasket seal.

Positioning Pump For Disassembly

(Figure 1)

It is recommended that the pump be positioned upside-down during disassembly. To hold the pump in the inverted position, screw a pipe in the discharge flange (25) and clamp it in a large vise, or remove the discharge flange and secure the flange studs to a bench or work stand. The pump may also be rested securely on blocks. Be careful not to damage the terminal housing or cable while in this position. Use adequate equipment and personnel to

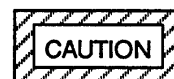
safely handle the pump until it is secured. If inverting the pump is not practical, lay the pump on its side and secure it to prevent rolling.

Suction Head And Wear Ring Removal

(Figure 1)

Remove the hardware (56 and 57) securing the suction head (49) to the diffuser (1). Remove the suction head, and remove and discard the diffuser O-ring (48).

Inspect the wear ring (48) for excessive wear or scoring. If replacement is required, use a chisel or other suitable tool to cut it from the suction head. **Be careful** not to damage the suction head bore.



USE CAUTION NOT TO DAMAGE THE SUCTION HEAD WHEN REMOVING THE WEAR RING.

Diffuser Removal

(Figure 1)

Remove the hardware (58 and 59) securing the diffuser (1) to the seal plate (42) and lower motor housing (37). Remove the diffuser, and remove and discard the lower pump casing O-ring (43).

Impeller Removal

(Figure 1)

Temporarily reinstall two of the capscrews (58). Wedge a piece of wood between the vanes of the impeller (2) and the capscrews to prevent shaft rotation. Remove the impeller jam nut (46) and washer (45).

Remove the wood from the impeller vanes, and remove the capscrews (58) temporarily installed in the seal plate and lower motor housing.

Use A wheel puller to pull the impeller from the shaft. Use caution when removing the impeller; tension on the seal spring will be released. Retain the impeller key (44).

Remove the impeller adjusting shims (16); tie and tag the shims, or measure and record their thickness for ease of reassembly.

Lower Seal Removal

(Figures 1 and 4)

Remove the seal spring. Lubricate the shaft, and work oil up under the rubber bellows of the rotating portion of the seal. Carefully slide the rotating portion of the seal assembly off the shaft.

To remove the stationary portion of the seal, slide the seal plate (42) off the shaft. Remove and discard the seal plate O-ring (41).

Place the seal plate on a flat surface with the impeller side down. Use a dowel to press the stationary seat and element out of the seal plate.

An alternate method of removing the stationary portion of the seal without removing the seal plate is to slide a pair of stiff wires with hooked ends along the shaft and hook the stationary seat from the back side. Use the wires to pull the stationary portion of the seal from the seal plate.

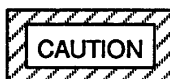
The rotating and stationary seal elements are precision finished and subject to wear. The complete seal should be replaced with each overhaul to ensure trouble-free operation. However, if the old seal must be reused, wrap the seal faces individually in clean tissue paper to prevent damage to the sealing surfaces.

If no further disassembly is required, proceed to the appropriate areas in **PUMP END REASSEMBLY**.

Upper Seal Removal

(Figures 1 and 4)

Unless cracked or otherwise worn, it is not necessary to remove the lower motor housing (37) for access to the upper seal assembly (4).



IF THE LOWER MOTOR HOUSING MUST BE REMOVED, SEE THE PROCEDURE UNDER **MOTOR DISASSEMBLY** IN THIS SECTION. **DO NOT ATTEMPT TO LOOSEN THE HARDWARE (38 AND 39) SECURING THE BEARING CAP (7) BEFORE REFERRING TO THIS SECTION; OTHERWISE, THE ROTOR SHAFT AND BEARINGS COULD BE DAMAGED.**

Remove the seal retaining ring (17) with snap ring pliers. Use caution when removing the retaining ring; tension on the seal spring will be released. Remove the seal spring holder (18) and spring. Lubricate the shaft adjacent to the seal, and work oil up under the rubber bellows. Position a screwdriver or other suitable device on each side of the bellows retaining flange, and pry the bellows upward until the rotating portion is off the shaft.

Slide the hook ends of two wires along the shaft and under the stationary seal seat. Hook the back side of the seat, and pull it from the lower motor housing.

With the pump inverted, stuff a clean tissue into the seal bore of the lower motor housing (or wrap a small rag around the shaft) to prevent foreign material from entering the motor cavity.

NOTE

*Do not disassemble the motor unless it is necessary, and a clean, well-equipped shop is available. If the motor housing components are to be serviced, see **MOTOR DISASSEMBLY** in this section. Do not reassemble the pump end components at this time.*

If no further disassembly is required, proceed to **PUMP END REASSEMBLY**.

PUMP END REASSEMBLY

NOTE

Reuse of old O-rings, gaskets, or shaft seal parts may result in premature leakage or reduced pump performance. It is strongly recommended that new gaskets and shaft seal assemblies be used during reassembly (see the parts lists for numbers).

Cleaning And Inspection Of Pump Parts

(Figure 1)

Carefully inspect any O-rings or gaskets before removal and cleaning to determine if a proper seal and compression existed prior to disassembly. If sealing was faulty or questionable, the cause must be determined and corrected before reassembly. Replace any parts as required.

Thoroughly clean all reuseable parts with a soft cloth soaked in cleaning solvent. Use a clean cloth lightly

dampened with solvent to clean the lower motor housing, suction head, diffuser, and seal plate. Do not allow the solvent to enter the motor.



MOST CLEANING SOLVENTS ARE TOXIC AND FLAMMABLE. USE THEM ONLY IN A WELL-VENTILATED AREA FREE FROM EXCESSIVE HEAT, SPARKS, AND FLAME. READ AND FOLLOW ALL PRECAUTIONS PRINTED ON SOLVENT CONTAINERS.

Remove all O-rings and gaskets, and clean the sealing surfaces of dirt or gasket material. Be careful not to scratch gasket surfaces.

Inspect the rotor shaft for damaged threads, scoring, or nicks. Remove nicks and burrs with a fine file or hand honing stone to restore original contours. If the shaft is bent or severely damaged, the rotor and

shaft must be replaced as an assembly (see **MOTOR DISASSEMBLY**).

Neither of the shaft seal assemblies should be reused because wear patterns on the finished faces cannot be realigned during reassembly. This could result in premature failure. If necessary to reuse an old seal in an emergency, **carefully** wash all metallic parts in fresh cleaning solvent and allow to dry thoroughly.

Handle the seal parts with extreme care to prevent damage. Be careful not to contaminate the precision finished faces; even fingerprints on the faces can shorten seal life. If necessary, clean the faces with a non-oil based solvent and a clean, lint-free tissue. Wipe **lightly** in a concentric pattern to avoid scratching the faces.

Inspect the seal components for wear, scoring, grooves, and other damage that might cause leakage. If any components are worn, replace the complete seal; **never mix old and new seal parts.**

Install the shaft seals as illustrated in Figure 4.

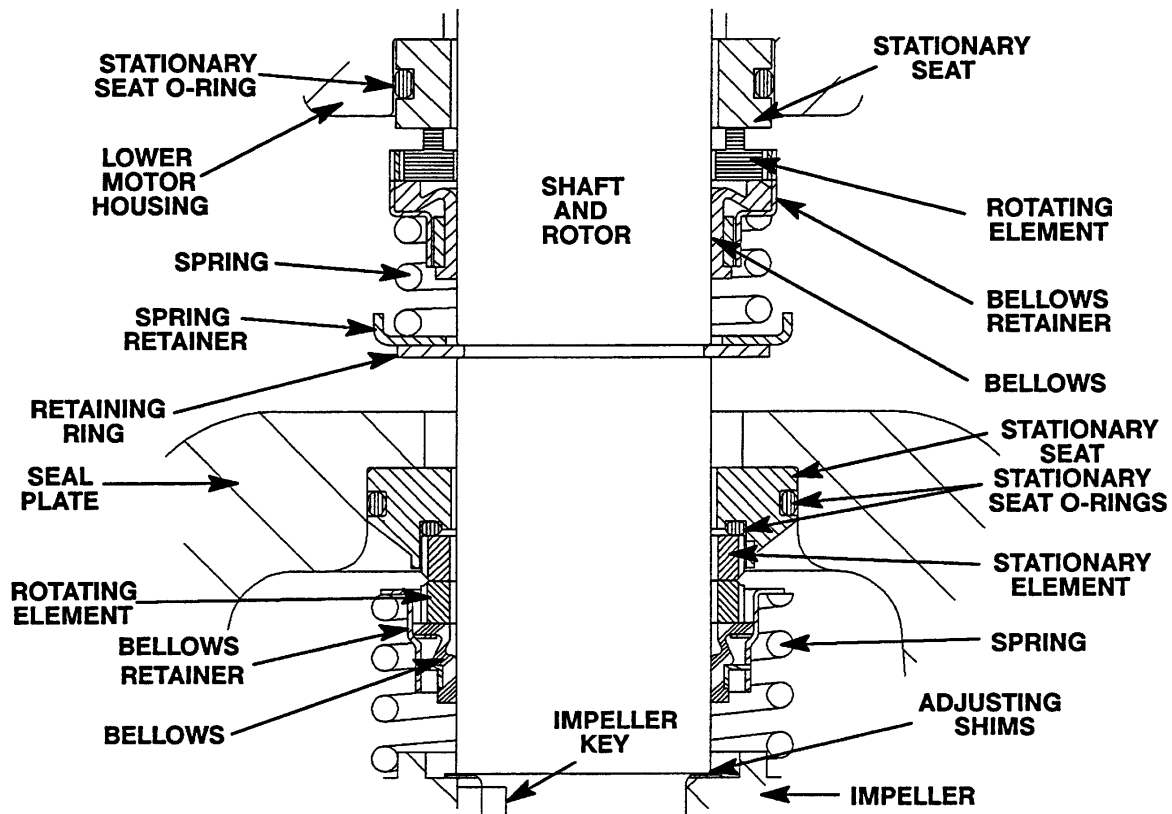


Figure 4. 46512-056 (Lower) And 25271-903 (Upper) Seal Assemblies



THIS SEAL IS NOT DESIGNED FOR OPERATION AT TEMPERATURES ABOVE 120° F (49° C). DO NOT USE AT HIGHER OPERATING TEMPERATURES.

Upper Seal Installation

(Figures 1 and 4)

If a new upper seal assembly is to be installed, do not unwrap it until time of installation. Cleanliness of seal components is critical, especially the seal faces.

Carefully remove the material stuffed into the seat bore (or unwrap the shaft). **Be sure** no debris stopped by the material falls into the motor cavity.

Clean the rotor shaft and seal cavity area of the lower motor housing. Be sure the area is dry and free of lint and dirt. **Do not** permit cleaning solvent or debris to fall into the motor cavity. Check the seal bore for burrs or nicks that might prevent a good seal. Apply a **light** coating of oil to the bore.

Unpack the stationary seat. Apply a **light** coating of oil to the stationary seat O-ring. Keep the sealing face dry.

NOTE

When pressing seal components onto the impeller shaft, use hand pressure only. A push tube cut from a length of plastic pipe will aid in installing seal components. The I.D. of the push tube should be approximately the same as the I.D. of the seal spring.

Position the seat in the bore with the sealing face up, and cover it with a clean tissue. Use your thumbs to press the seal into the bore. Apply equal pressure on opposite sides of the seat until it is fully seated in the bore. Remove the tissue and inspect the seal face to ensure that it is clean and dry. If cleaning is necessary, use clean tissue to wipe **lightly** in a concentric pattern.

Unpack the rotating portion of the seal. Be certain the seal face of the rotating element is free of grit or surface damage. Place a **small** amount of grease at equal spaces on the back of the element, and as-

semble the drive grooves of the rotating element into the drive lugs of the bellows retainer. The grease should hold the element in position until the seal is installed.

Apply a light coating of oil to the seal seating surface on the shaft, the groove for the retaining ring (17), and the I.D. of the bellows. Apply a single drop of **light** lubricating oil to the precision-finished seal face. Position the rotating seal portion on the shaft with the seal face down. Apply firm, steady pressure on the bellows retainer until it slides down the shaft and the seal faces contact. This step should be done in one continuous motion to prevent the bellows from sticking or rolling as it passes over the retaining ring groove.

Slide the seal spring over the shaft and bellows retainer, and install the spring retainer (18). Install the seal retaining ring (17). See Figure 5 for proper order of seal assembly.

Lower Seal Installation

(Figures 1 and 5)

Thoroughly clean the sealing surfaces and seal bore of the the seal plate (42). The seal bore must be free of burrs and nicks which could damage the seal.

NOTE

When pressing seal components onto the impeller shaft, use hand pressure only. A push tube cut from a length of plastic pipe will aid in installing seal components. The I.D. of the push tube should be approximately the same as the I.D. of the seal spring.

Unpack the stationary seat, and check that the O-rings are properly installed (see Figure 5). Press the stationary element into the seat, making sure that the grooves in the element engage the lugs on the seat. Apply a **light** coating of oil to the seal plate bore and the outer O-ring. Keep the sealing face dry.

Position the seal plate on a flat surface with the impeller side up. Position the seat in the bore with the sealing face up, and cover it with a clean tissue. Use your thumbs to press the seat into the bore. Apply equal pressure on opposite sides of the sealing elements until it is fully seated in the bore. Remove the tissue and inspect the seal face to ensure that it is clean and dry. If cleaning is necessary, use a clean tissue to wipe **lightly** in a concentric pattern.

Lubricate the O-ring (41) with light oil, and install it in the groove in the seal plate shoulder. Apply a light coating of oil on the O-ring seating surface in the lower motor housing. Carefully position the seal plate and assembled stationary portion of the seal over the shaft. **Be careful** not to damage the stationary element. Press the seal plate into the lower motor housing until fully seated.

Unpack the rotating portion of the seal. Be certain the seal face of the rotating element is free of grit or surface damage. Place a **small** amount of grease at equal spaces on the back of the element, and assemble the drive grooves of the rotating element into the drive lugs of the bellows retainer. The grease should hold the element in position until the seal is installed.

Apply a light coating of oil on the I.D. of the bellows, and the seal seating surface on the shaft. Position the rotating portion of the seal on the shaft with the seal face down. Apply firm, steady pressure on the bellows retainer until it slides down the shaft and the seal faces contact.

Slide the seal spring over the shaft and bellows retainer. See Figure 5 for proper order of seal assembly.

Impeller Installation

(Figure 1)

Inspect the impeller (2) for cracks, broken vanes, or wear from erosion, and replace it if damaged. Inspect the diffuser (1) and replace it if defective.

For maximum pump efficiency, there should be a back clearance of .020 to .040 inch (0,5 to 1,0 mm) between the impeller and seal plate.

To determine the thickness of shims required to obtain this clearance, measure from the machined surface on the back of the impeller to the seal spring seating shoulder (machined tolerance is .720 to .725 inch (18,3 to 18,4 mm)). Next measure from the seal plate (behind the impeller) to the shaft shoulder (where the adjusting shims seat).

NOTE

The seal plate must be fully seated in the lower motor housing when taking this measurement. Tempo-

rarily secure the seal plate with three 5/8-16 UNC by 1-3/4 inch long capscrews (not supplied).

Subtract the seal plate-to-shaft dimensions from the impeller dimension. Assemble shims from the shim set to obtain the required clearance.

Install the impeller key (44) in the rotor shaft keyway, align the impeller keyway, and press the impeller onto the shaft until it is firmly seated. Be sure the seal spring seats squarely over the shoulder on the back of the impeller.

Remove the three capscrews temporarily securing the seal plate.

Apply 'Loctite Threadlocker No. 242' or equivalent compound to the threads of the rotor shaft and install the impeller washer (45) and jam nut (46). Install two capscrews (58) in the seal plate. Wedge a block of wood between the impeller vanes and capscrews to prevent shaft rotation, and torque the impeller nut to 175 ft. lbs. (2100 in. lbs or 24,2 m. kg.).

Diffuser Installation

(Figure 1)

Remove the capscrews (58), and position the diffuser (1) against the seal plate. Apply 'Never-Seez' or equivalent compound on the threads of the capscrews (58). Secure the diffuser with the hardware (58 and 59). Torque the capscrews to 120 ft. lbs. (1440 in. lbs or 16,6 m. kg.).

NOTE

After the impeller has been properly positioned, check for free rotation. Correct any scraping or binding before further reassembly.

Suction Head And Wear Ring Installation

(Figure 1)

If the wear ring (48) was removed, position the replacement ring in the suction head (49) with the chamfered end toward the bore shoulder. Press the wear ring into the suction head until fully seated.

NOTE

The wear ring must seat squarely in the suction head; otherwise, binding and/or excessive wear will occur as the shaft turns.

Install the O-ring (47) on the diffuser. Position the suction head (49) on the diffuser and secure it with the hardware (56 and 57). Apply 'Never-Seez' or equivalent compound on the threads of the capscrews (56). Torque the capscrews to 40 ft. lbs. (480 in. lbs or 5,5 m. kg.).

Strainer Installation

(Figure 1)

Inspect the strainer screen for cracks or broken welds. Straighten or weld as required.

Install the strainer supports (50) and strainer (51). Position the base plate (55) over the studs (52), and secure it with the hardware (53 and 54). Tighten the nuts just enough to draw the strainer screen down tightly, but not tight enough to distort it.

See **LUBRICATION** and **FINAL ASSEMBLY** before putting the pump back into service.

MOTOR DISASSEMBLY

Disassembly of the motor is rarely required except to replace the motor rotor, stator or bearings. Do not disassemble the motor unless it is necessary and a clean, well-equipped shop is available.

NOTE

It is recommended that a pump with a defective motor be returned to Gorman-Rupp, or to one of the Gorman-Rupp authorized Submersible Repair Centers.



THE ELECTRICAL POWER USED TO OPERATE THIS PUMP IS HIGH ENOUGH TO CAUSE INJURY OR DEATH. MAKE CERTAIN THAT THE CONTROL HANDLE ON THE CONTROL BOX IS IN THE OFF POSITION AND LOCKED OUT, OR THAT THE POWER SUPPLY TO THE CONTROL BOX HAS BEEN OTHERWISE CUT OFF AND LOCKED OUT, BEFORE ATTEMPTING TO OPEN OR SERVICE THE PUMP ASSEMBLY. TAG ELEC-

TRICAL CIRCUITS TO PREVENT ACCIDENTAL START-UP.

Carefully inspect any O-rings or gaskets before removal and cleaning to determine if a proper seal and compression existed prior to disassembly. If sealing was faulty or questionable, the cause must be determined and corrected before reassembly. Replace any parts as required.

Terminal Housing And Power Cable Removal And Disassembly

(Figure 1)

Total disassembly of the terminal housing and power cable is not always required. Disassemble and replace **only** the parts proven defective by inspection or testing. See **Electrical Testing** in **TROUBLESHOOTING**.

The terminal housing and power cable may be serviced without disassembling the motor housing or pump end.

Secure the pump in an upright position. To remove the terminal housing, disengage the locknuts (33) securing the terminal housing assembly (31) to the upper motor housing (13).

(Figure 2)

Carefully raise the terminal housing from the motor housing until the terminal posts (15 and 17) are accessible. Loosen the allen head setscrews (16 and 18), and disconnect the motor leads from the terminal posts. Separate the terminal housing and power cable assembly from the motor housing. Remove the lower terminal housing gasket (21).

Remove the O-ring (26) from the terminal housing. No further disassembly is required to test the stator or power cable.

Remove the nuts (5), and slide the terminal gland (1) back along the power cable.

Compress the wire mesh of the cable grip (3) and move it back along the power cable. Oil the gland bushing (6) and terminal housing bore, and push firmly on the cable. (Allow the oil to leak in around the bushing by agitating the cable in the bore.) After the bushing has been loosened, it should be possible to push the cable into the terminal housing so that the terminal plate (22) comes free of the terminal

housing. This should permit access to the power cable connections in the terminal plate.

NOTE

Sometimes pressure exerted on the gland bushing (6) will deform the power cable jacket. If this occurs, additional oil and effort will usually free the power cable. If the cable cannot be separated from the gland bushing, it may be necessary to cut the cable.

When shipped from the factory, the connections between the power cable leads and the terminal collars (12 and 24) were encapsulated in heat-shrink tubing (10 and 27) and bonded to the terminal plate with hot-melt adhesive. In service, the adhesive may have been replaced by potting compound during previous repair. **Do not** remove the adhesive and heat shrink tubing unless the terminals or terminal plate require replacement. If replacement is required, cut away the tubing and adhesive, and loosen the allen head setscrews (11 and 25). Disconnect the power cable leads from the terminal collars, and separate the terminal plate from the terminal housing (8). Remove the upper terminal plate gasket (23).

To remove the power cable from the terminal housing, disengage the hardware (29 and 30), and disconnect the green and yellow ground leads from the terminal housing. Slide the power cable out of the terminal housing. The terminal gland (1) and cable grip (3) can now be removed from the cable.

To remove the gland bushing (6), work oil in around the bushing. Invert the terminal housing, and press the bushing and terminal washer (7) out of the bore from the back side.

NOTE

If the rubber bushing cannot be removed from the terminal housing as indicated, it may be necessary to cut the bushing into small pieces.

If it is necessary to replace the terminal plate (22) or terminal components, unscrew the terminal collars (12 and 24), and remove the collars, dyna seal washers (13, 14, 19 and 20), and terminal posts (15 and 17).

Shaft And Rotor Removal

(Figure 1)

See **PUMP END DISASSEMBLY**, and remove all pump end and seal components (including the lower motor housing, rotor and shaft assembly).

With the pump end disassembled, the terminal housing removed, and the pump secured in an inverted position, carefully slide the pump casing (12) off the upper and lower motor housings. Remove the upper motor housing O-ring (15).

Remove the hardware (8 and 9) securing the upper and lower motor housing assemblies together. **Do not** remove the four capscrews (38) around the rotor shaft.

See Figure 5, and install three 5/8-11 UNC lifting eyes (not supplied) in the tapped holes for the capscrews (58) in the lower motor housing, and hook a three-leg sling to the lifting eyes. Use a suitable hoist to support the pump.

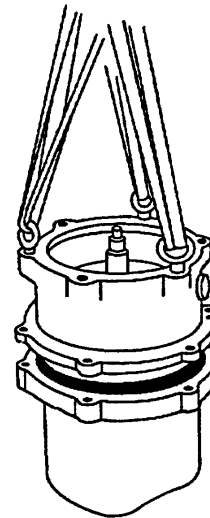


Figure 5. Separating Upper and Lower Motor Housings

Install two 3/8-16 UNC by 3-inch long capscrews (not supplied) in the jacking holes in the lower motor housing. Use the capscrews to jack the lower motor housing, rotor and shaft assembly (35), bearing cap (8), and both ball bearings (14 and 36) from the upper motor housing as an assembly. If necessary, tap around the parting surfaces with a soft-faced mallet to break the seal between the upper and lower motor

housings. Remove the lower motor housing O-ring (10). Remove the jacking screws from the lower motor housing.

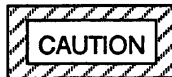
Cover the upper motor housing with a clean, lint-free cloth to avoid contamination by dirt or other foreign material.

Set the lower motor housing and rotor assembly on a clean work area. Remove the hardware (38) securing the bearing cap (7) to the lower motor housing, and remove the dyna-seal washers (39).

Steady the rotor and shaft assembly, and separate the lower motor housing. If necessary, tap the impeller end of the rotor shaft with a soft-faced mallet to loosen the seal between the bearing cap and the lower motor housing.

It is not necessary to remove the pipe plug (40) from the lower motor housing. If the optional probe wire and moisture detector are used, remove the hardware securing the probe wire, and unscrew the moisture detector from the motor housing.

Before removing the bearings from the rotor shaft, clean and inspect the bearings **in place** as follows.



TO PREVENT DAMAGE DURING REMOVAL FROM THE SHAFT, IT IS RECOMMENDED THAT BEARINGS BE CLEANED AND INSPECTED IN PLACE. IT IS STRONGLY RECOMMENDED THAT THE BEARINGS BE REPLACED ANY TIME THE SHAFT AND ROTOR ASSEMBLY IS REMOVED.

Clean the bearings thoroughly in **fresh** cleaning solvent. Dry the bearings with filtered compressed air and coat with light oil.



MOST CLEANING SOLVENTS ARE TOXIC AND FLAMMABLE. USE THEM ONLY IN A WELL-VENTILATED AREA FREE FROM EXCESSIVE HEAT, SPARKS, AND FLAME. READ AND FOLLOW ALL PRECAUTIONS PRINTED ON SOLVENT CONTAINERS.

Rotate the bearings by hand to check for roughness or binding. If rotation is rough, replace the bearings.



THESE BEARINGS ARE PERMANENTLY SEALED AND REQUIRE NO ADDITIONAL LUBRICATION EXCEPT A COATING OF LIGHT OIL ON EXTERNAL SURFACES TO EASE REASSEMBLY. EXTERNAL SURFACES MUST BE KEPT FREE OF ALL DIRT AND FOREIGN MATERIAL. FAILURE TO DO SO COULD DAMAGE THE BEARINGS OR THEIR MATING SURFACES.

The bearing tolerances provide a tight press fit onto the shaft and a snug slip fit into the upper motor housing and bearing cap. Replace the shaft and rotor (as an assembly), the bearing cap, or the upper motor housing if the proper bearing fit is not achieved.

If the bearings require replacement, use a suitable puller to remove the upper bearing (14) from the shaft. Use the bearing cap and capscrews (38) in conjunction with the bearing puller to remove the lower bearing (36) from the shaft. Press the lower bearing out of the bearing cap.

Stator Removal

(Figure 1)

Do not remove the stator (34) unless it is defective (open windings, insulation resistance low, or stator core damaged). If the stator must be removed, remove the terminal housing as indicated in **Terminal Housing And Power Cable Disassembly**.

With the pump end, lower motor housing, and rotor removed, position an expandable tool, such as a split disc, approximately 2 inches (51 mm) down inside the stator, and expand it tightly and squarely on the I.D. Attach a lifting device to the lifting eye of the tool, and raise the assembly approximately 1 inch (25 mm) off the work surface. Take care not to damage the stator end turns.

The motor housing must be heated with a torch to expand it enough for the stator to be removed. Apply heat evenly to the outside of the motor housing; excessive heat is not required. When the motor housing is sufficiently heated, use a soft-faced mallet to

rap alternate edges of the upper motor housing, and “walk” the stator out. Continue this process until the stator clears the motor housing.

When the stator is free of the motor housing, remove the key (11). Wrap the stator in clean, dry rags or other suitable material until reassembly. The stator **must** be kept clean and dry. When handling the stator, **do not** set it on the end windings; lay it on its side.

Hoisting Bail

(Figure 1)

If the hoisting bail (23) requires replacement, remove the hardware (19, 20 and 21) securing the bail to the upper motor housing. Remove the bushings (22).

MOTOR REASSEMBLY



DO NOT ATTEMPT TO REWIND THE STATOR. WINDING TOLERANCES AND MATERIALS ARE CLOSELY CONTROLLED BY THE MANUFACTURER, AND ANY DEVIATION CAN CAUSE DAMAGE OR OPERATING PROBLEMS. REPLACE THE STATOR, OR RETURN IT TO ONE OF THE GORMAN-RUPP AUTHORIZED SUBMERSIBLE REPAIR CENTERS OR THE GORMAN-RUPP FACTORY, IF DEFECTIVE.

NOTE

Reuse of old O-rings, gaskets, shaft seal parts may result in premature leakage or reduce pump performance. It is strongly recommended that new gaskets and shaft seal assemblies be used during reassembly (see the parts lists for numbers).

Stator Installation

(Figure 1)

NOTE

Stator installation involves heating the upper motor housing and the application of insulating paint to the stator O.D. Both processes must be done quickly and at approximately the same time to allow the stator to slide into the motor housing before the paint dries or the housing cools. Therefore it is recommended that these steps be performed by two people to promote efficient installation of the stator.

Clean all gasket and O-ring surfaces, completely removing any old gasket and cement material. Inspect the sealing surfaces for burrs, nicks and pits which could cause a poor seal, and replace defective parts as required.

Thoroughly clean the inside of the upper motor housing (13) with fresh solvent. The interior **must** be dry and free of dirt or lint.



MOST CLEANING SOLVENTS ARE TOXIC AND FLAMMABLE. USE THEM ONLY IN A WELL-VENTILATED AREA FREE FROM EXCESSIVE HEAT, SPARKS, AND FLAME. READ AND FOLLOW ALL PRECAUTIONS PRINTED ON SOLVENT CONTAINERS.

NOTE

When assembled at the factory, the stator was painted with insulating paint prior to installation in the motor housing. It may be necessary to use steel wool or a wire brush to remove excess paint from the I.D. of the motor housing before reassembly.

After the motor housing is thoroughly cleaned, position it on a flat surface with the discharge end down. Do not unwrap the stator until the motor housing has been prepared for stator installation. The stator **must** be kept clean and dry. When handling the stator, do not set it on the end windings; lay it on its side and block it from rolling.

Test the new stator as indicated in **Electrical Testing** in **TROUBLESHOOTING**, Section D, to ensure that no damage has occurred during transit or handling.

NOTE

Remove any drops of varnish from the ends of the stator before installation to ensure proper stack-up height when assembled.

Position an expandable tool, such as a split disc, approximately 2 inches down inside the stator (opposite the lead wire end), and expand it tightly and squarely on the I.D. Attach a lifting device to the lifting eye of the tool, and carefully lift the assembly. Take care not to damage the stator end turns. Slip a sleeve or heat shrink tubing (do not heat shrink) over the stator leads, or tape them together to protect them during installation. Position them as close to the motor end turns as possible.

Stator installation involves heating the upper motor housing and the application of insulating paint to the stator O.D. Both processes must be done quickly and at approximately the same time to allow the stator to slide into the motor housing before the paint dries or the housing cools.

Heat the upper motor housing with a torch to expand it enough for the stator to be installed; when heating the motor housing, **make sure** that the stator is clear to avoid a fire hazard, or damage to the windings. Apply heat evenly to the outside of the housing; excessive heat is not required.

While the motor housing is being heated, another person should paint the stator O.D. with insulating paint. With the stator suspended, apply a **very thin** coat of "General Electric Glyptol Red Insulating Paint" (G.E. P/N 1201) to the stator O.D. The paint is fast drying, so it must be applied quickly.

When the motor housing is sufficiently heated and the stator painted, position the stator so that the leads are in line with the terminal opening. Install the key (11), and carefully lower the stator into the motor housing until fully seated against the housing shoulder. Be careful not to damage the stator lead insulation during reassembly. If the stator "cocks" in the motor housing, remove it and try again.

After the stator is fully and squarely seated on the upper motor housing shoulder, remove the expandable

disc tool and untape or remove the protective sleeve or heat shrink tubing from the stator leads.

NOTE

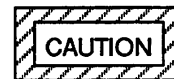
Because of the tight shrink fit between the stator and upper motor housing, excess paint will be forced out as the stator is installed. Use soft rags to absorb any paint that accumulates between the stator and the housing, then use paint thinned to thoroughly clean the housing I.D.

Cover the motor housing with a clean, lint-free cloth while the rotor is being assembled.

Shaft And Rotor Installation

(Figure 1)

Inspect the rotor shaft for damaged threads, scoring in the seal area, and a nicked or damaged keyway. If the bearings were removed, inspect the bearing areas for scoring or galling. Remove nicks and burrs with a fine file or emery cloth. Inspect the rotor area for separated laminations. If the shaft is bent or damaged, or if the laminations are separated, replace the shaft and rotor (a single assembly).



TO PREVENT DAMAGE DURING REMOVAL FROM THE SHAFT, IT IS RECOMMENDED THAT BEARINGS BE CLEANED AND INSPECTED IN PLACE. IT IS STRONGLY RECOMMENDED THAT THE BEARINGS BE REPLACED ANY TIME THE SHAFT AND ROTOR ASSEMBLY IS REMOVED.

The bearings may be heated to ease installation. An induction heater, hot oil bath, electric oven, or hot plate may be used to heat the bearings. Bearings should **never** be heated with a direct flame or directly on a hot plate.

NOTE

*If a hot oil bath is used to heat the bearings, both the oil and the container must be **absolutely clean**. If the oil has been previously used, it must be **thoroughly filtered**.*

Heat the bearings to a uniform temperature **no higher than 250°F (120°C)**. Slide the upper bearing

onto the shaft until it is fully seated. This should be done quickly, in one continuous motion, to prevent the bearing from cooling and sticking on the shaft.



USE CAUTION WHEN HANDLING HOT BEARINGS TO PREVENT BURNS.

Clean the bearing cap (7), and apply 'Loctite Retaining Compound No. R/C 609' to the O.D. of the bearing (36) and the I.D. of the bearing cap. Press the bearing into the cap until fully seated.

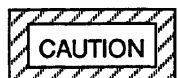
NOTE

Position the lower bearing (36) in the bearing cap with the bearing manufacturer's part number (located on the O.D. of the bearing) toward the inside of the cap. The part number should be closer to one edge of the bearing than the other. This is the side of the bearing that should be toward the inside of the cap and toward the stator-rotor assembly.

If a hot oil bath is used to heat the bearings, heat **both** the bearing and the cap, and slide the parts onto the shaft until the bearing seats squarely against the shaft shoulder. If an induction heater is used, heat **only** the inner race, and **do not** heat the bearing cap. Slide the upper bearing (14) onto the shaft until squarely seated against the shaft shoulder.

After the bearings have been installed and allowed to cool, check to ensure that they have not moved away from the shaft shoulders in shrinking. If movement has occurred, use a suitable sized sleeve and a press to reposition the bearings against the shaft shoulders.

If heating the bearings is not practical, use a suitable sized sleeve, and an arbor (or hydraulic) press to install the bearings on the shaft.



WHEN INSTALLING THE BEARINGS ONTO THE SHAFT, NEVER PRESS OR HIT AGAINST THE OUTER RACE, BALLS, OR BALL CAGE. PRESS ONLY ON THE INNER RACE.

Use **fresh** solvent to clean the bearing seating bore of the upper motor housing (13). Install the O-ring (10) on the lower motor housing. If the optional probe wire and moisture detector are to be used, apply 'Loctite Pipe Sealant With Teflon No. 592' or equivalent compound to the threads of the detector, and screw it into the tapped hole in the lower motor housing. Secure the probe wire to the moisture detector with the previously removed hardware. Feed the other end of the probe wire down through the groove in the inside of the upper motor housing, between the stator and the motor housing.

Slide the lower housing over the shaft until it is fully seated in the upper housing. **Be sure** to align the tapped holes in the bearing cap with the holes for the capscrews (38). Apply 'Never-Seez' or equivalent compound on the threads of the capscrews, install the dyna seal washers (39), and secure the bearing cap to the lower motor housing by torquing the capscrews to 20 ft. lbs. (240 in. lbs. or 2,8 m. kg.).

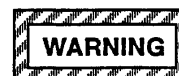
Apply 'Never-Seez' or equivalent compound on the threads of the capscrews (8), and secure the upper and lower motor housings with the hardware (8 and 9). Torque the capscrews to 120 ft. lbs. (1440 in. lbs. or 16,6 m. kg.).

Install the O-ring (15) on the upper motor housing shoulder, and position the pump casing (12) over the upper and lower motor housings. Be careful not to damage the O-ring, and make sure the pipe plugs (5 and 6) are aligned.

Refer to **PUMP END REASSEMBLY**, and reassemble the pump end components.

Terminal Housing And Power Cable Reassembly And Installation

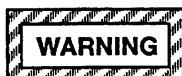
(Figures 2 or 3)



THE ELECTRICAL POWER USED TO OPERATE THIS PUMP IS HIGH ENOUGH TO CAUSE INJURY OR DEATH. MAKE CERTAIN THAT THE CONTROL HANDLE ON THE CONTROL BOX IS IN THE OFF POSITION AND LOCKED OUT, OR THAT THE POWER SUPPLY TO THE CONTROL BOX HAS BEEN OTHERWISE CUT OFF AND LOCKED OUT, BEFORE ATTEMPTING TO OPEN

OR SERVICE THE PUMP ASSEMBLY. TAG ELECTRICAL CIRCUITS TO PREVENT ACCIDENTAL STARTUP. OBTAIN THE SERVICES OF A QUALIFIED ELECTRICIAN, AND REFER TO THE WIRING DIAGRAM(S) IN INSTALLATION, SECTION B, TO MAKE ELECTRICAL CONNECTIONS.

Clean the exterior of the power cable with warm water and mild detergent, and check for obvious physical damage. Check the cable for continuity and insulation resistance (see **Electrical Testing in TROUBLESHOOTING**). Do not attempt repairs except to cut off either end of the cable; **splicing is not recommended**. Reinstall any wire tags or terminals which may have been removed.

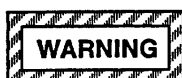


NEVER ATTEMPT TO ALTER THE LENGTH OR REPAIR ANY POWER CABLE WITH A SPLICE. THE PUMP MOTOR AND CABLE MUST BE COMPLETELY WATERPROOF. INJURY OR DEATH MAY RESULT FROM ALTERATIONS.

Use oil to lightly lubricate the outside of the pump power cable (2), the rubber gland bushing (6), and the bores of the terminal gland (1) and cable grip (3) for ease of assembly. Slide the terminal gland onto the power cable. Compress the wire mesh on the cable grip, and slide it onto the cable, allowing approximately 1 ft. (0,3 m) of cable to extend beyond the mesh. Slide the rubber cable grip bushing and washer (7) onto the cable. Temporarily tape the ground wires (green and yellow) to the cable.

Sealing Terminal Housing Connections With Hot Melt Adhesive

(Figure 2 or 3)



DO NOT ATTEMPT TO OPERATE THIS PUMP UNLESS THE POWER CABLE LEADS ARE PROPERLY SEALED IN THE TERMINAL HOUSING. MOISTURE ENTERING THE TERMINAL

HOUSING COULD CAUSE A SHORT CIRCUIT, RESULTING IN PUMP DAMAGE AND POSSIBLE SERIOUS INJURY OR DEATH TO PERSONNEL.

When shipped from the factory, the cable leads and terminal collars (12 and 24) were encapsulated in heat-shrink tubing (10 and 27), and bonded to the terminal plate (22) with hot-melt adhesive to provide a water-tight seal. If this insulating material has been damaged or removed during maintenance, **it must** be replaced using materials and equipment approved by Gorman-Rupp (see the parts list for repair kits).

NOTE

*Heat-shrink tubing must be used to seal the power and control cable leads to the terminals before bonding the leads to the terminal plate. If a hot melt adhesive glue gun with the required temperature range is not available in the field, a commercially available potting kit may be used to bond the connections to the terminal plate. If this alternate seal method is used, refer to the instructions in **Sealing Terminal Plate Connections With Potting Compound**. Use only materials and heating equipment approved by Gorman-Rupp for field repairs.*

Before resealing the power and control cables, remove all the old adhesive material (or potting compound) from the terminal collars (12 and 24), terminal posts (15 and 17), and terminal plate (22). Inspect all parts for damage, and replace as required.

NOTE

Clean the cable leads and terminal plate in the areas to be sealed with cleaning solvent. Use a medium grit sandpaper to prepare the surface of the terminal plate. Incomplete sealing will occur if the surfaces are oil or grease coated.

Slide the terminal housing (8) up the power cable (2) and temporarily secure it with the cable grip (3). Slide the sealant reservoir up over the cable.

Assemble the terminal collars (12 and 24), dyna seal washers (13, 14, 19 and 20), and lower terminal posts (15 and 17) to the terminal plate (22) as shown in Figure 2 or 3. Install the upper terminal plate gasket (23) and sealant reservoir if used.

NOTE

Both the power cable and motor conductor leads should be tinned prior to reassembly.

If the terminal ends were removed for replacement, crimp a new terminal on each power cable lead. Slide a length of heat-shrink tubing (10 and 27) up over each of the power cable leads. Insert the standard power cable leads into the large terminal collars (24), and secure them with the setscrews (25). Insert the control leads into the small terminal collars (12) and secure them with the setscrews (11). The tubing must cover the crimped part of the terminals and extend up the leads far enough to ensure a good seal. See Figure 6 for wiring connections.

Carefully heat each tube with a commercially available hot air gun capable of producing 750°F (399°C), and shrink the tubes around the cable leads and terminals.

After the tubing has shrunk and set, position the upper terminal plate gasket (23) on the terminal plate (22).

NOTE

To ensure adhesion of the hot-melt adhesive to the terminal plate, pre-heat the adhesive gun to at least 400°F (204°C). It is also recommended that the terminal plate be preheated to 125°F - 150°F (52°C - 66°C) to ensure adhesion. Use a commercially available hot-air gun to heat the terminal plate at this point.

After the wire terminals have been secured and locations checked for correctness, hold the terminal plate horizontally and slide the sealant reservoir down onto the plate. Center the ring around the terminals. Apply the adhesive (G-R part number 18661-045) over the terminal posts with a hot-melt adhesive tool (Terlan model TM-80, or equivalent) set at 400°F (204°C). The adhesive must fill the reservoir to **completely** insulate electrical connections. Allow the adhesive to cool before securing the terminal housing to the motor housing.



DO NOT ATTEMPT TO OPERATE THIS PUMP UNLESS THE POWER CABLE LEADS ARE

PROPERLY SEALED IN THE TERMINAL HOUSING. MOISTURE ENTERING THE TERMINAL HOUSING COULD CAUSE A SHORT CIRCUIT, RESULTING IN PUMP DAMAGE AND POSSIBLE SERIOUS INJURY OR DEATH TO PERSONNEL.

Sealing Terminal Housing Connections With Potting Compound

(Figure 2 or 3)

Potting compound and hot-melt adhesive have the same electrical properties when correctly applied. Hot-melt adhesive is used at the factory to facilitate production. A commercially available potting kit (Products Research Corp., part number PR-1201-Q Class 1 potting compound, Chemseal potting compound, part number GS3100, or equivalent) may also be used to seal the connections.

Clean and assemble all terminal components as indicated in **Sealing Terminal Plate With Hot-Melt Adhesive**. Use medium grit sandpaper to prepare the surface of the terminal plate in the area where the potting mold will be installed.

NOTE

Clean the cable leads and terminal plate in the areas to be sealed with cleaning solvent. Incomplete sealing will occur if the surfaces are oil or grease coated.

Trim the potting mold so it is just long enough to cover the terminal post studs (or use the adhesive reservoir). Slide the potting mold up over the leads of the power cable and control cable.

Position the upper terminal plate gasket (23) on top of the terminal plate (22), and secure each cable lead as described in the previous section. Slide the potting mold down over the terminal posts and onto the terminal plate. Hang the cable in a vertical position with the terminal plate horizontal. The cable leads and terminals should be centered in the potting mold. Use quick-setting cement, such as '3-M Weather Seal' to secure the potting mold to the terminal plate.



MOST POTTING BASE COMPOUNDS CONTAIN TOLUENE; USE ADEQUATE VENTILATION AND

AVOID PROLONGED BREATHING OF VAPORS. MOST POTTING ACCELERATORS CONTAIN LEAD; AVOID INGESTION OR PROLONGED CONTACT WITH THE SKIN. READ AND FOLLOW ALL WARNINGS AND RECOMMENDATIONS ACCOMPANYING THE POTTING KIT.

See the instructions with the potting kit regarding application life and setting and curing time. Mix the base compound and accelerator and fill the mold until the electrical connections are completely insulated. Tamp the potting material to eliminate air

bubbles and ensure the material has completely covered the area around the terminal posts.

When potting has been completed, leave the terminal plate assembly undisturbed until the potting material has cured. Complete curing usually takes about 24 hours. Curing time can be shortened by using a heat lamp, but be careful not to melt the potting or potting mold, or burn the cable. When the potting material is no longer "tacky" to the touch, it has cured.

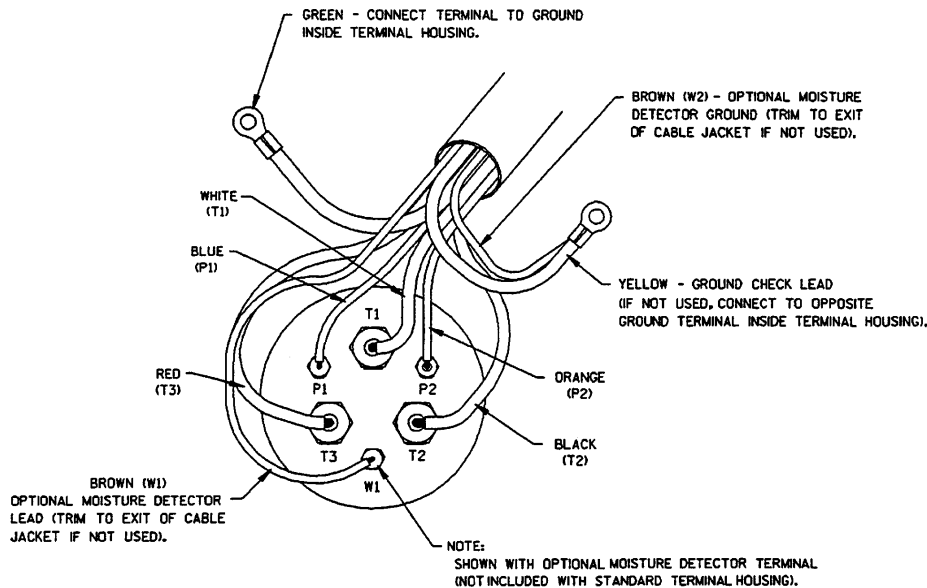


Figure 6. Terminal Housing Wiring Connections

NOTE

If the optional probe wire and moisture detector are used, the brown probe wire lead (W1) should be connected to terminal W1. The brown moisture detector ground lead (W2) should be connected to the same terminal end as the yellow ground check lead, and in turn connected to ground inside the terminal housing.

Terminal Housing Reassembly

(Figure 2 or 3)

After the heat-shrink tubing has been installed, un-tape the ground leads, and slide the upper terminal plate gasket (23) and terminal housing (8) down the cable. If removed, connect the green ground lead to the ground terminal (30), and connect the yellow ground check lead (and brown moisture detector

ground lead W2, if used) to the ground check terminal (9).

Secure the terminals to the terminal housing with the hardware (29 and 30); **be sure** the terminals make good contact with the housing.

Pull gently on the power cable to remove any excess length from within the terminal housing. The terminal plate should fit loosely against the terminal housing.

Slide the terminal washer (7) down the cable and into the upper bore of the terminal housing. Oil the bore and cable, and slide the gland bushing (6) into place. Compress the wire mesh of the cable grip (3), and slide it down the cable, making sure it contacts the bushing. Slide the terminal gland (1) into place, and engage the nuts (5) finger tight. Do not fully tighten the nuts at this time.

Before installing the terminal housing, group the motor leads together in the upper motor housing, and secure them with a cable tie.

Install the terminal housing O-ring (26) on the terminal housing. Position the lower gasket (21) against the terminal plate, then attach the motor leads to the terminal posts (15 and 17) using the setscrews (16 and 18).

NOTE

A small amount of gasket adhesive may be used to hold the upper and lower terminal plate gaskets in place to ease assembly.

If required, rotate the terminal housing and twist the motor leads to remove excess slack. Coat the threads of the terminal housing studs (32, Figure 1) with 'Never-Seez' or equivalent, and secure the terminal housing assembly to the motor housing with the hardware (33, Figure 1); torque the nuts to 20 ft. lbs. (240 in. lbs. or 2,8 m. kg.).

Tighten the nuts (5), drawing the terminal gland down into the terminal bore. Do not overtighten and damage the terminal gland or hardware.

See **FINAL ASSEMBLY** and **LUBRICATION**, followed by **MOTOR LEAK TEST**.

FINAL ASSEMBLY

Hoisting Bail

(Figure 1)

If the hoisting bail (23) was removed for replacement, install the bushings (22). Secure the bail to the upper motor housing using the hardware (19, 20 and 21).

(Figure 1)

If the discharge flange (25) was removed from the motor housing, replace the discharge flange gasket (24). Apply 'Never-Seez' or equivalent compound on the flange studs, and secure the flange with the nuts (28).

Connect the discharge hose, and reposition the pump. If rigid piping or long hose is used, reposition the pump then connect the piping.

LUBRICATION

Seal Cavity

Check the oil level in the seal cavity before initial startup, after the first two weeks of operation, and every month thereafter.



CHECK THE OIL LEVEL ONLY WHEN THE PUMP IS COOL. IF THE OIL LEVEL PLUG IS REMOVED WHEN THE PUMP IS HOT, PRESSURE IN THE SEAL CAVITY CAN CAUSE HOT OIL TO BE EJECTED AS THE PLUG IS REMOVED.

To check the seal cavity oil, lay the pump on its side with the pipe plug (5) up. Remove the plug and the seal cavity plug (6), and screw a short 3/8-inch NPT nipple into the hole. Plug the open end of the nipple with your finger. Tip the pump upright, drain off a small amount of oil into a transparent cup, and lay the pump on its side again. If the oil level is abnormally low, or the color milky or dark, refer to **Draining Oil From Seal Cavity** in this section for instructions and troubleshooting tips. If the oil is clear, remove the nipple and top off the seal cavity with oil. Apply 'Loctite Pipe Sealant With Teflon No. 592.' or equivalent to the threads of the pipe plug, before reinstalling the plugs (5 and 6).

When lubricating a dry (overhauled) pump, add approximately 4 1/2 quarts (4,3 liters) of lubricant (see Table 1 for lubricant specifications).

The grade of lubricant used is critical to the operation of this pump. Use premium quality submersible pump oil as specified in the following table. Oil must be stored in a clean, tightly closed container in a reasonably dry environment.

Table 1. Pump Oil Specifications

Specifications:	
Type	Premium high viscosity index, anti-wear hydraulic oil
Viscosity @ 100°F (38°C)	110 to 155
Viscosity @ 210°F (99°C)	40 to 50
Dielectric	26,000 (volts-min)
Recommended supplier:	
Gulf Oil Company	Gulf Harmony HVI AW 26
Acceptable alternate suppliers:	
Gulf Oil Company	Gulf Harmony 32 AW
Texas Oil Company	Rando HD 32 or HD AZ 32
Sun Oil Company	Sunvis 816 or 916
SOHIO (Also Boron & British Petroleum Oil Companies)	Energol-HLP 32
Shell Oil Company	Tellus 32, Tellus T-23 or T32
ARCO	Duro 32
Exxon	Nuto H 32

Motor Housing Cavity

The motor is cooled by the constant flow of the liquid being discharged through internal passages surrounding the motor housing. The rotor shaft bearings are permanently sealed, and no additional lubrication is required.

remove the pressure test plug (26, Figure 1). Apply a vacuum of 20 inches (mm) of mercury to the motor cavity, and hold for five minutes. If the vacuum does not hold, check all sealing surfaces for leaks, and correct any that are found.

MOTOR LEAK TEST

After the pump has been completely reassembled,

Repeat the test. When the vacuum holds, apply 'Loctite Pipe Sealant With Teflon No. 592' or equivalent compound to the pressure test plug, and reinstall and tighten the plug.

**For U.S. and International Warranty Information,
Please Visit www.grpumps.com/warranty
or call:
U.S.: 419-755-1280
International: +1-419-755-1352**

**For Canadian Warranty Information,
Please Visit www.grcanada.com/warranty
or call:
519-631-2870**